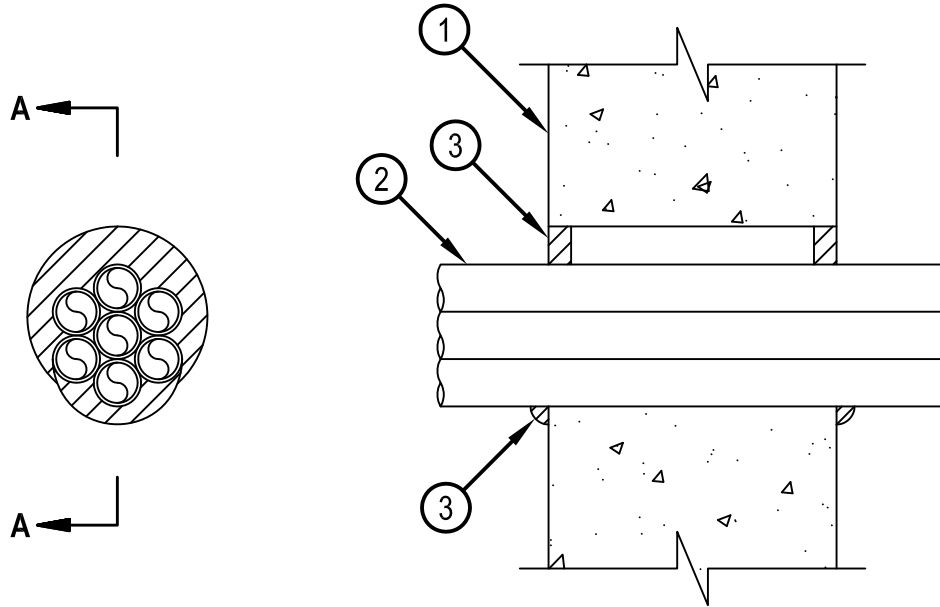




Classified by  
Underwriters Laboratories, Inc.  
to UL 1479

**System No. W-J-2207**  
**F Ratings - 1 and 2 Hr (See Item 1)**  
**T Rating - 1 Hr**

WJ 2207



**SECTION A-A**

1. Wall Assembly — Min 6 in. (152 mm) thick lightweight or normal weight (100-150 pcf or 1600-2400 kg/m<sup>3</sup>) concrete. Wall may also be constructed of any UL Classified Concrete Blocks\*. Max diam of opening is 5 in. (127 mm).  
See Concrete Blocks (CAZT) category in the UL Fire Resistance Directory for names of manufacturers.
2. Through Penetrant — One max 4 in. (102 mm) diam tight bundle of tubes located eccentrically or concentrically within opening. The annular space between bundle of tubes and periphery of opening shall be min 0 in. (point contact) to max 1 in. (25 mm). Tubing to be rigidly supported on both sides of wall assembly. The following types of tubing may be used:
  - A. Crosslinked Polyethylene (PEX) Tubing — Nom 1 in. (25 mm) diam (or smaller) SDR 9 PEX tubing for use in closed (process or supply) piping systems.
3. Firestop System — The firestop system shall consist of the following:
  - A. Fill, Void or Cavity Material\* - Sealant — Min 5/8 in. (16 mm) thickness of fill material applied within annulus, flush with each surface of wall.  
Min 1/2 in. (13 mm) diam bead of caulk applied to the tubing/gypsum interface at the point contact location on both sides of wall.  
HILTI CONSTRUCTION CHEMICALS, DIV OF HILTI INC — FS-ONE Sealant or FS-ONE MAX Intumescent Sealant.

\* Indicates such products shall bear the UL or cUL Certification Mark for jurisdictions employing the UL or cUL Certification (such as Canada), respectively.



**Hilti Firestop Systems**

Reproduced by HILTI, Inc. Courtesy of  
Underwriters Laboratories, Inc.  
January 22, 2015