

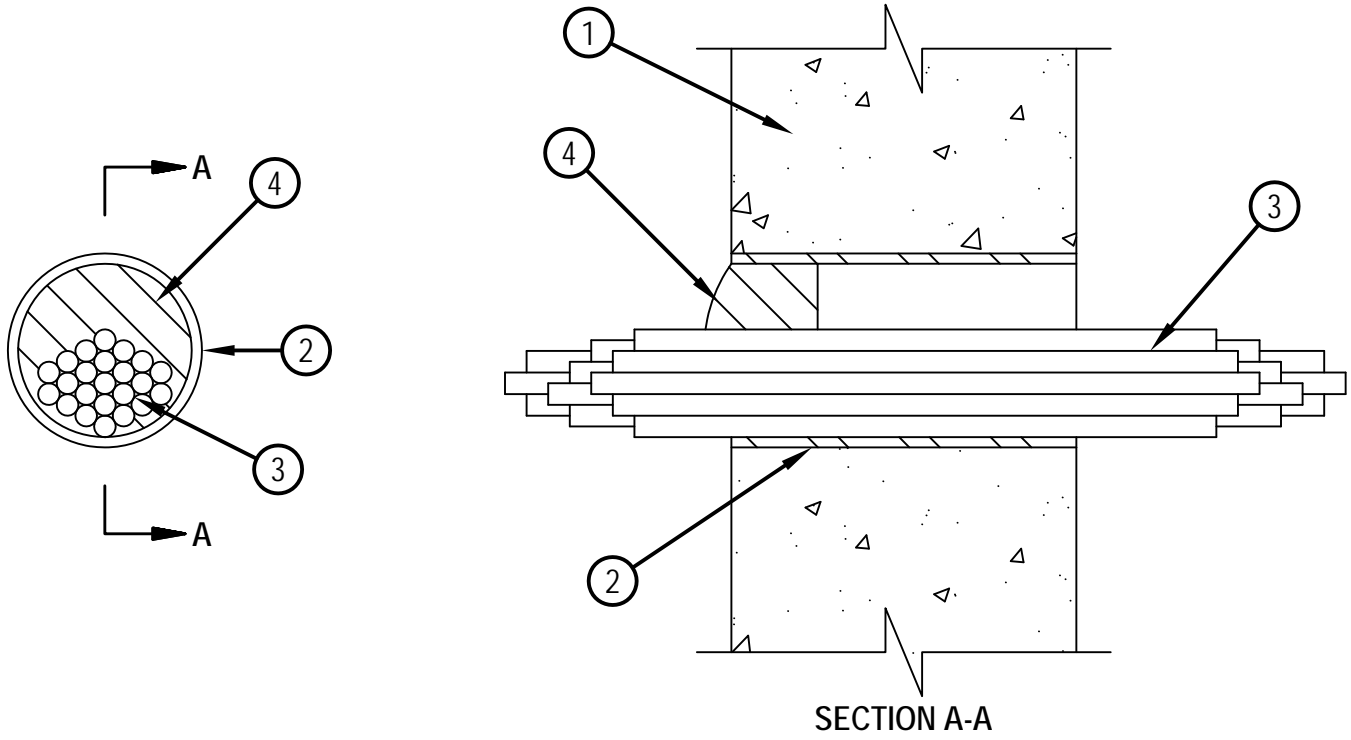


Classified by  
Underwriters Laboratories, Inc.  
to UL 1479 and CAN/ULC-S115

## System No. W-J-3143

WJ 3143

ANSI/UL1479 (ASTM E814)	CAN/ULC S115
F Rating — 2 Hr	F Rating — 2 Hr
T Rating — 0 Hr	FT Rating — 0 Hr
	FH Rating — 2 Hr
	FTH Rating — 0 Hr



1. Wall Assembly — Min 6 in. (152 mm) thick reinforced lightweight or normal weight (100-150 pcf or 1600-2400 kg/m<sup>3</sup>) concrete. Wall may also be constructed of any UL Classified Concrete Blocks\*. Max diam of opening is 4 in. (102 mm).  
See Concrete Blocks (CAZT) category in the Fire Resistance Directory for names of manufacturers.
2. Steel Sleeve — (Optional) - Nom 4 in. (102 mm) diam (or smaller) Schedule 5 (or heavier) steel pipe sleeve cast or grouted into wall assembly. Sleeve to be flush with wall surfaces or may extend up to 12 in. (305 mm) beyond either or both wall surfaces. Where sleeve extends more than 6 in. (152 mm) beyond wall surface it shall be rigidly supported. When wall is constructed of concrete blocks, steel sleeve is required.
3. Cables — Aggregate cross-sectional area of bundled cables in opening to be max 50 percent of the cross-sectional area of the opening. The annular space between the cable bundle and the periphery of the opening or sleeve to be min 0 in. (point contact) to max 1 in. (25 mm). Cables to be rigidly supported on both sides of wall assembly. Any combination of the following types and sizes of cables may be used:
  - A. Max 300 pair No. 24 AWG telephone cable with polyvinyl chloride (PVC) insulation and jacket.
  - B. Max 750 kcmil single copper conductor power cable with thermoplastic insulation and PVC jacket.
  - C. Max 7/C No. 12 AWG multiconductor power and control cable with PVC or cross-linked polyethylene (XLPE) insulation and PVC jacket.
  - D. Multiple fiber optical communication cable jacketed with PVC and having a max outside diameter of 1/2 in. (13 mm).
  - E. Max 3/C No. 12 AWG with bare aluminum ground, PVC insulated steel Metal-Clad cable.
  - F. Max 1 in. (25 mm) diam metal clad TEK cable with PVC jacket.
4. Fill, Void or Cavity Materials\* - Plug — Plug sized for the steel sleeve/wall opening - friction-fitted within the sleeve or wall opening such that the outer circumference of the dome-shaped plug is flush with either end of sleeve or either side of wall. Plug cut to fit around the cable bundle and installed tightly within the sleeve/wall opening.

HILTI CONSTRUCTION CHEMICALS, DIV OF HILTI INC — CP 658T Firestop Plug or CFS-PL Firestop Plug

\*Bearing the UL Classification Mark



**Hilti Firestop Systems**

Reproduced by HILTI, Inc. Courtesy of  
Underwriters Laboratories, Inc.

April 05, 2012