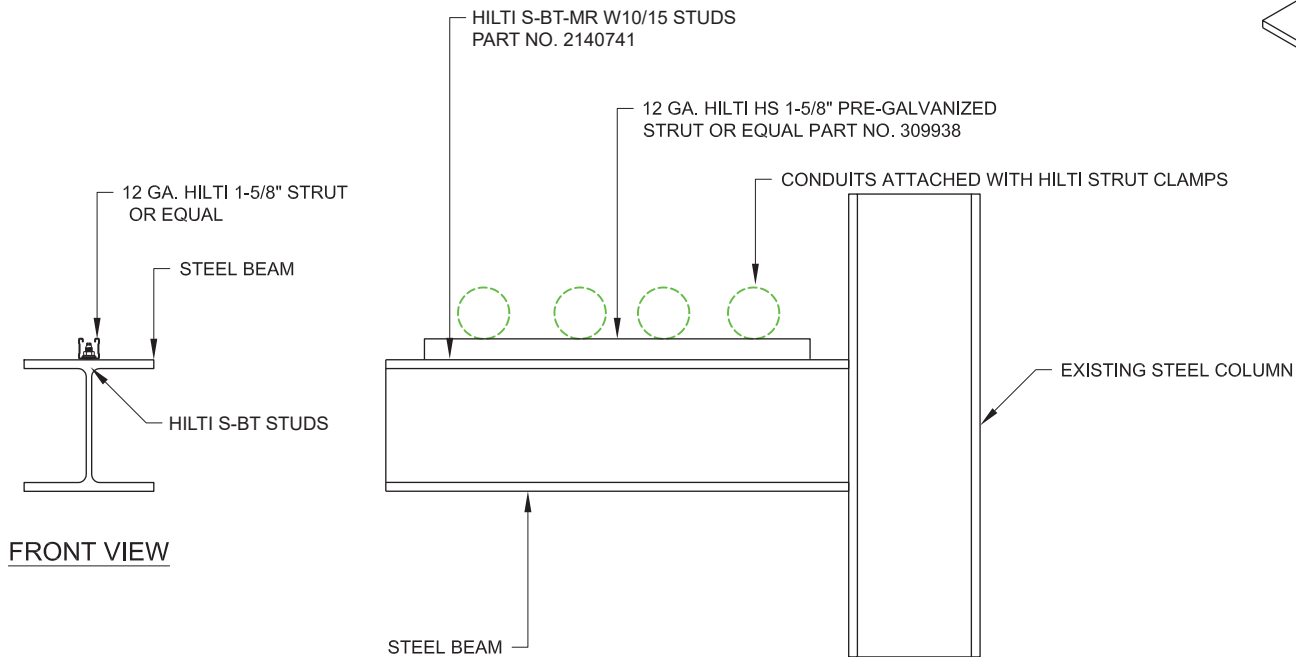
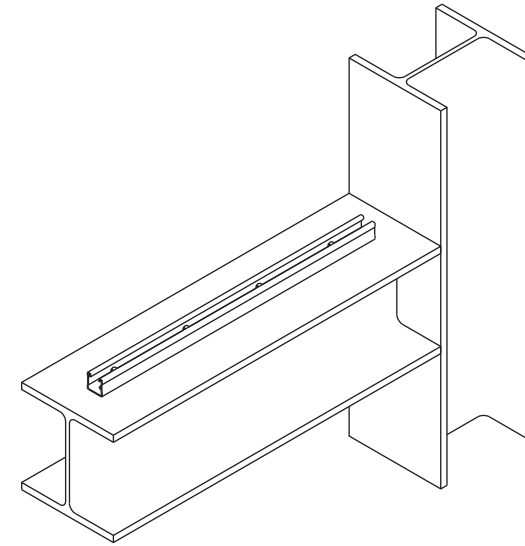
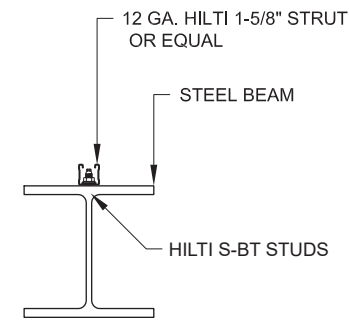


PLAN VIEW



SIDE VIEW



FRONT VIEW

NOTE:

1. SPACE HILTI S-BT STUDS ACCORDINGLY TO ACCOMMODATE DESIGN LOADS. MINIMUM OF TWO STUDS PER STRUT SECTION
2. HILTI S-BT STUDS SHALL BE INSTALLED PER HILTI INSZALLATION INSTRUCTIONS.



Information and loads are recommendations for static application, and based on the published data in the Hilti Technical Guide (including allowable load values, factors of safety, methods of calculation and limiting factors). The responsible project engineer must verify suitability for any specific application. Modification to design may alter performance and should be evaluated by engineer of record.

Drawn	Developer
HAM/JGB	RPB
Date	
21 NOV 2016	
Drawing No.	
12-122-05	
Index	Sheet
F	1/1

Project
DETAILS FOR ELECTRICAL ENGINEERS

Description
STRUT ATTACHED BY HILTI S-BT STUDS FOR CONDUIT INSTALLATION