

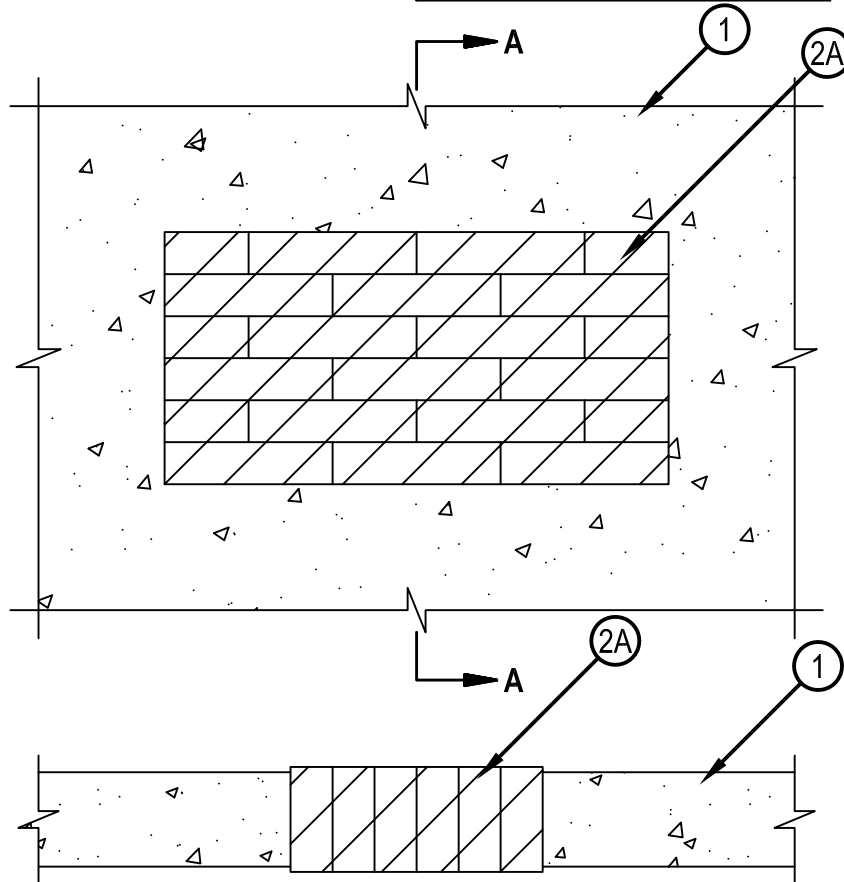


Classified by
Underwriters Laboratories, Inc.
to UL 1479 and CAN/ULC-S115

System No. C-AJ-0138

CAJ 0138

| ANSI/UL1479 (ASTM E814) | CAN/ULC S115 |
|-------------------------|-----------------------|
| F Rating — 2 Hr | F Rating — 2 Hr |
| T Rating — 1-3/4 Hr | FT Rating — 1-3/4 Hr |
| | FH Rating — 2 Hr |
| | FTH Rating — 1-3/4 Hr |



SECTION A-A

1. Floor or Wall Assembly — Min 4-1/2 in. (114 mm) thick reinforced lightweight or normal weight (100-150 pcf or 1600-2400 kg/m³) concrete floor or wall. Wall may also be constructed of any UL Classified Concrete Blocks*. Max area of opening is 288 in² (1858 cm²) with maximum dimension of 24 in. (610 mm).

See Concrete Blocks (CAZT) category in the Fire Resistance Directory for names of manufacturers.

2. Firestop System — The firestop system shall consist of the following:

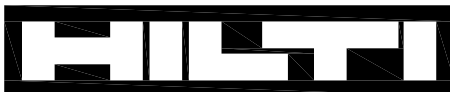
A. Fill Void or Cavity Materials* - Fire Blocks — Fire blocks installed with 5 in. (127 mm) dimension projecting through opening, centered within thickness of floor or wall assembly. Blocks to be firmly packed and completely fill the entire area of opening. In concrete block walls, install fire blocks to full wall thickness unless the wall is solid filled. Blocks can be cut to smaller thickness where needed to assist in firm packing and filling any gaps or voids within opening.

HILTI CONSTRUCTION CHEMICALS, DIV OF HILTI INC — CFS-BL Firestop Block

B. Fill Void or Cavity Materials* — (Optional) Fill material applied to maximum extent possible to fill any voids that may exist within the opening.

HILTI CONSTRUCTION CHEMICALS, DIV OF HILTI INC — FS-ONE Sealant, FS-ONE MAX Intumescent Sealant or CP618 Putty Stick

* Indicates such products shall bear the UL or cUL Certification Mark for jurisdictions employing the UL or cUL Certification (such as Canada), respectively.



Hilti Firestop Systems

Reproduced by HILTI, Inc. Courtesy of
Underwriters Laboratories, Inc.

January 06, 2015