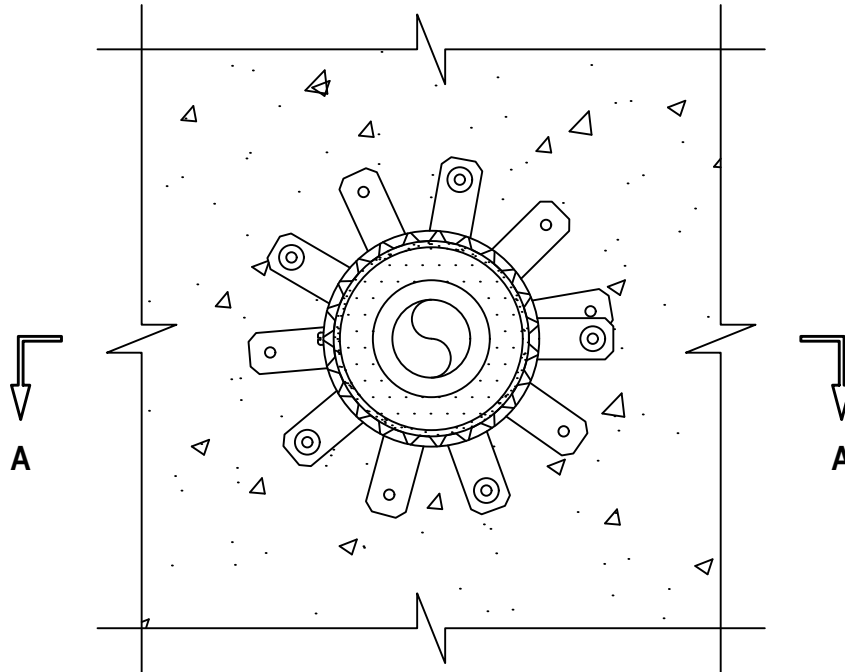


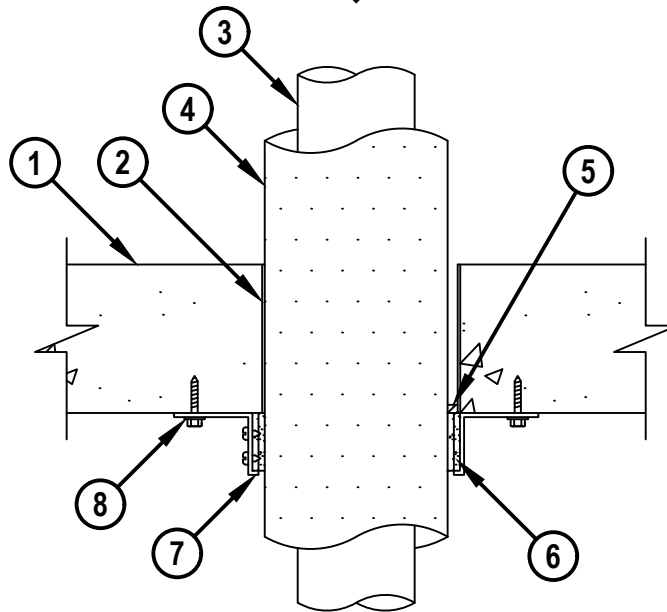
UL SYSTEM NO. C-AJ-5385
**INSULATED PLASTIC PIPE THROUGH CONCRETE FLOOR/WALL
 OR BLOCK WALL ASSEMBLY**

F-RATING = 2-HR.
 T-RATING = 2-HR.

BOTTOM VIEW



SECTION A-A



CAJ5385a.010617



HILTI, Inc.
 Plano, Texas USA (800) 879-8000

Sheet	1 of 2
Scale	1 1/64" = 1"
Date	Jan. 06, 2017

Drawing No.
**CAJ
 5385a**

Saving Lives through Innovation and Education

UL SYSTEM NO. C-AJ-5385

**INSULATED PLASTIC PIPE THROUGH CONCRETE FLOOR/WALL
OR BLOCK WALL ASSEMBLY**

F-RATING = 2-HR.
T-RATING = 2-HR.

CAJ5385a.010617

1. CONCRETE FLOOR OR WALL ASSEMBLY (2-HR. FIRE-RATING) :
 - A. LIGHTWEIGHT OR NORMAL WEIGHT CONCRETE FLOOR OR WALL (MINIMUM 4-1/2" THICK).
 - B. ANY UL CLASSIFIED CONCRETE BLOCK WALL.
2. [OPTIONAL] MAXIMUM 6" (MIN. 28 GA.) DIAMETER GALVANIZED STEEL SLEEVE WITH MINIMUM 1-1/2" LAP ALONG LONGITUDINAL SEAM.
3. PENETRATING ITEM TO BE ONE OF THE FOLLOWING :
 - A. MAXIMUM 3" (75 mm) NOMINAL DIAMETER PP-R PLASTIC PIPE (SDR 6) (MANUFACTURED BY COSMOPLAST) (CLOSED PIPING SYSTEM).
 - B. MAXIMUM 3" (75 mm) NOMINAL DIAMETER PP-R PLASTIC PIPE (SDR 6) (MANUFACTURED NY COPRAX) (CLOSED PIPING SYSTEM).
4. PIPE INSULATION TO BE ONE OF THE FOLLOWING :
 - A. NOMINAL 1" THICK POLYOLEFIN PIPE INSULATION.
 - B. NOMINAL 1" THICK AB/PVC PIPE INSULATION.
5. MINIMUM 1/4" DEPTH HILTI FS-ONE MAX INTUMESCENT FIRESTOP SEALANT FLUSH WITH BOTTOM SURFACE OF FLOOR.
6. HILTI CP 648E WRAP STRIP (NOMINAL 3/16" THICK x 1-3/4" WIDE) CONTINUOUSLY WRAPPED AROUND THE OUTER CIRCUMFERENCE OF THE INSULATED PIPE, COVER TWO TIMES, WITH ENDS BUTTED AND HELD IN PLACE WITH TAPE.
7. HILTI 1-3/4" RETAINING COLLAR WRAPPED OVER WRAP STRIPS, OVERLAPPING MINIMUM 1" AND HELD TOGETHER WITH TWO NO. 10 x 3/16" LONG SHEET METAL STEEL SCREWS OR A 1/2" WIDE STAINLESS STEEL HOSE CLAMP FASTENED AT MID-HEIGHT OF RETAINING COLLAR.
8. FASTEN EVERY OTHER TAB WITH MINIMUM 1/4" DIAMETER BY MINIMUM 1-1/4" LONG STEEL EXPANSION BOLTS, MINIMUM 0.145" DIAMETER BY 1-1/4" LONG POWDER ACTUATED FASTENERS UTILIZING A 1-7/16" DIAMETER BY 1/16" THICK STEEL WASHER, HILTI 1/4" DIAMETER BY 1-1/4" LONG KWIK-CON II+ CONCRETE SCREW ANCHOR, OR HILTI 1/4" DIAMETER BY 1-3/4" LONG KWIK-BOLT 3 STEEL EXPANSION ANCHOR, OR HILTI X-DNI 27 P8 S15 POWDER ACTUATED FASTENER WITH INTEGRAL 9/16" DIAMETER WASHER.

NOTES : 1. MAXIMUM DIAMETER OF OPENING = 6".
2. ANNULAR SPACE = MINIMUM 0", MAXIMUM 1".
3. HILTI CP 648E WRAP STRIP AND HILTI FS-ONE MAX INTUMESCENT FIRESTOP SEALANT ARE REQUIRED ON BOTH SIDES OF A WALL.



HILTI, Inc.
Plano, Texas USA (800) 879-8000

Sheet	2 of 2
Scale	-
Date	Jan. 06, 2017

Drawing No.

**CAJ
5385a**

Saving Lives through Innovation and Education