

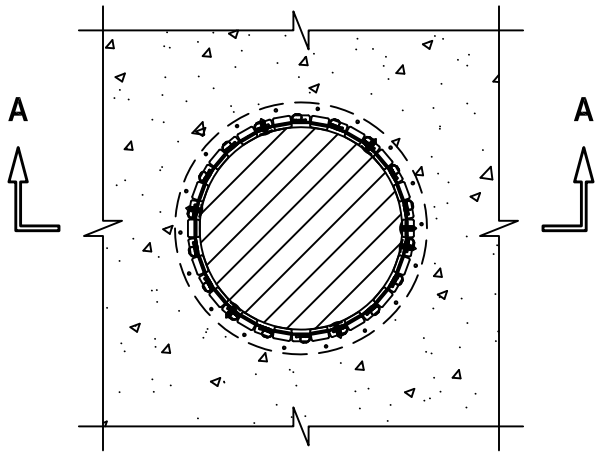
BLANK OPENING THROUGH CONCRETE FLOOR ASSEMBLY

F-RATING = 2-HR.

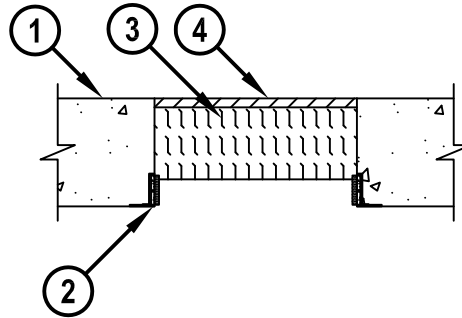
T-RATING = 1-HR.

FB0005b.071817

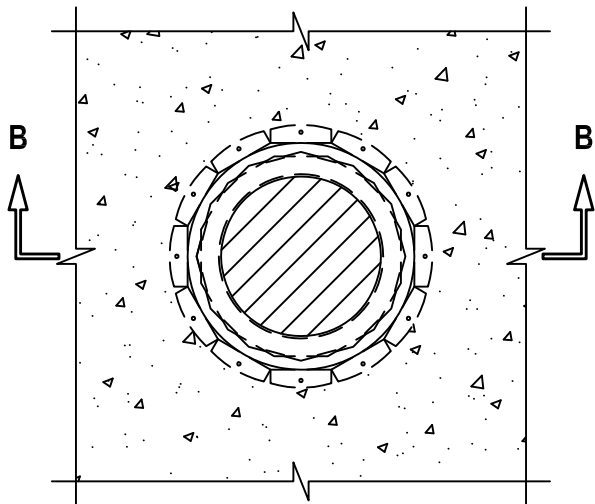
TOP VIEW



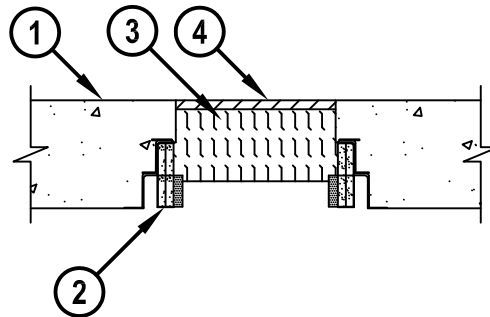
SECTION A-A



TOP VIEW



SECTION B-B



1. LIGHTWEIGHT OR NORMAL WEIGHT CONCRETE FLOOR ASSEMBLY (MINIMUM 6" THICK) (2-HR. FIRE-RATING) :
2. HILTI CFS-CID M [8" OR 10] OR CFS-CID P [8" OR 10] FIRESTOP CAST-IN DEVICE CAST OR GROUTED INTO CONCRETE FLOOR (CFS-CID M SHOWN IN SECTION A-A; CFS-CID P SHOWN IN SECTION B-B).
3. MINIMUM 4" THICKNESS MINERAL WOOL (MIN. 4 PCF DENSITY) TIGHTLY PACKED AND RECESSED TO ACCOMMODATE SEALANT.
4. MINIMUM 1/2" DEPTH HILTI FS-ONE MAX INTUMESCENT FIRESTOP SEALANT, HILTI CFS-S SIL GG FIRESTOP SILICONE SEALANT, OR HILTI CFS-S SIL SL FIRESTOP SILICONE SEALANT.



HILTI, Inc.
Plano, Texas USA (800) 879-8000

Sheet	1 of 1
Scale	3/32" = 1"
Date	July 18, 2017

Drawing No.
FB
0005b