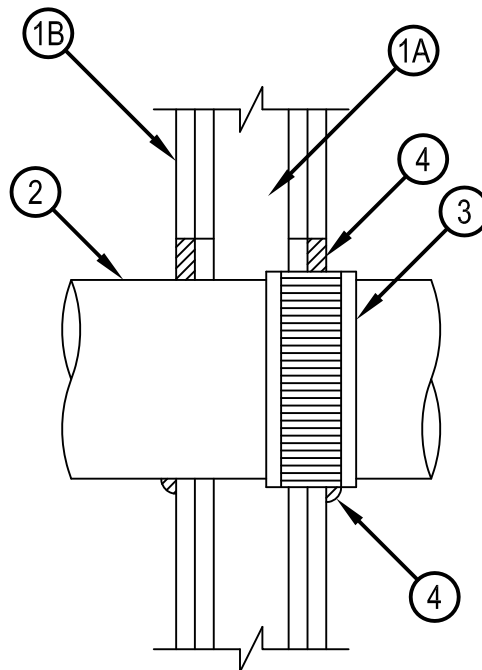
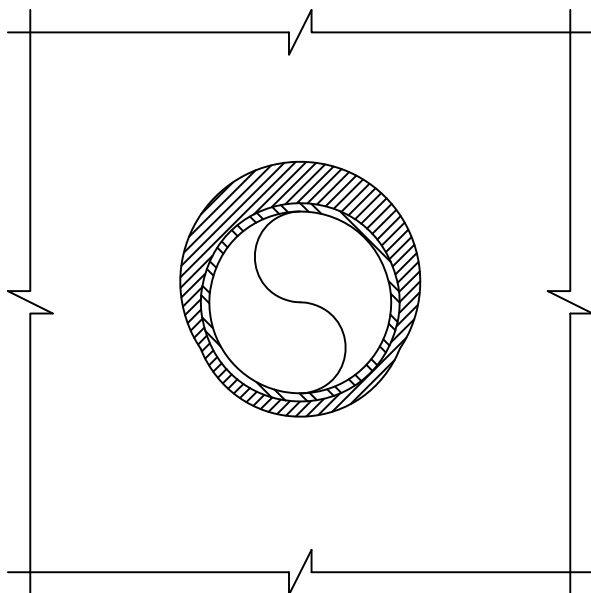


# System No. W-L-1359



Classified by  
Underwriters Laboratories, Inc.  
to UL 1479 and CAN/ULC-S115

ANSI/UL1479 (ASTM E814)	CAN/ULC S115
F Ratings — 1 and 2 Hr (See Item 1)	F Ratings — 1 and 2 Hr (See Item 1)
T Rating — 1/4 Hr	FT Rating — 1/4 Hr
	FH Ratings — 1 and 2 Hr (See Item 1)
	FTH Rating — 1/4 Hr



**SECTION A-A**

1. Wall Assembly — The 1 or 2 h fire-rated gypsum board/stud wall assembly shall be constructed of the materials and in the manner specified in the individual U300, U400, V400 or W400 Series Wall and Partition Designs in the UL Fire Resistance Directory and shall include the following construction features:

- A. Studs — Wall framing may consist of either wood studs or steel channel studs. Wood studs to consist of nom 2 by 4 in. (51 by 102 mm) lumber spaced 16 in. (406 mm) OC. Steel studs to be min 2-1/2 in. (64 mm) wide and spaced max 24 in. (610 mm) OC.
- B. Gypsum Board\* — Thickness, type and number of layers as specified in the individual Wall and Partition Design. Max diam of opening is 8 in. (203 mm).

The hourly F, FH Ratings of the firestop system are equal to the hourly assembly rating of the wall assembly in which it is installed.

- 2. Through Penetrant — One Nom 6 in. (102 mm) diam (or smaller) cast or ductile iron pipe to be installed eccentrically or concentrically within the firestop system. Pipe to be rigidly supported on both sides of the wall assembly.
- 3. Compression Coupling — Metallic pipes to be secured together with compression type pipe coupling with elastomeric gasket and a stainless steel jacket with stainless steel band clamps. Coupling to be installed entirely within opening or partially within opening. The annular space between the pipe or coupling and the periphery of the opening shall be min 0 in. (0 mm, point contact) to max 1 in. (25 mm).
- 4. Fill, Void or Cavity Material\* - Sealant — Min 5/8 in. (16 mm) thickness of fill material applied within the annulus, flush with both surfaces of wall. At the point contact location between pipe and wall, a min 1/2 in. (13 mm) diam bead of fill material shall be applied at the gypsum board/coupling interface on both surfaces of wall.

HILTI CONSTRUCTION CHEMICALS, DIV OF HILTI INC — FS-ONE or FS-ONE MAX Intumescent Sealant

\* Indicates such products shall bear the UL or cUL Certification Mark for jurisdictions employing the UL or cUL Certification (such as Canada), respectively.



**Hilti Firestop Systems**

Reproduced by HILTI, Inc. Courtesy of  
Underwriters Laboratories, Inc.  
January 22, 2015