

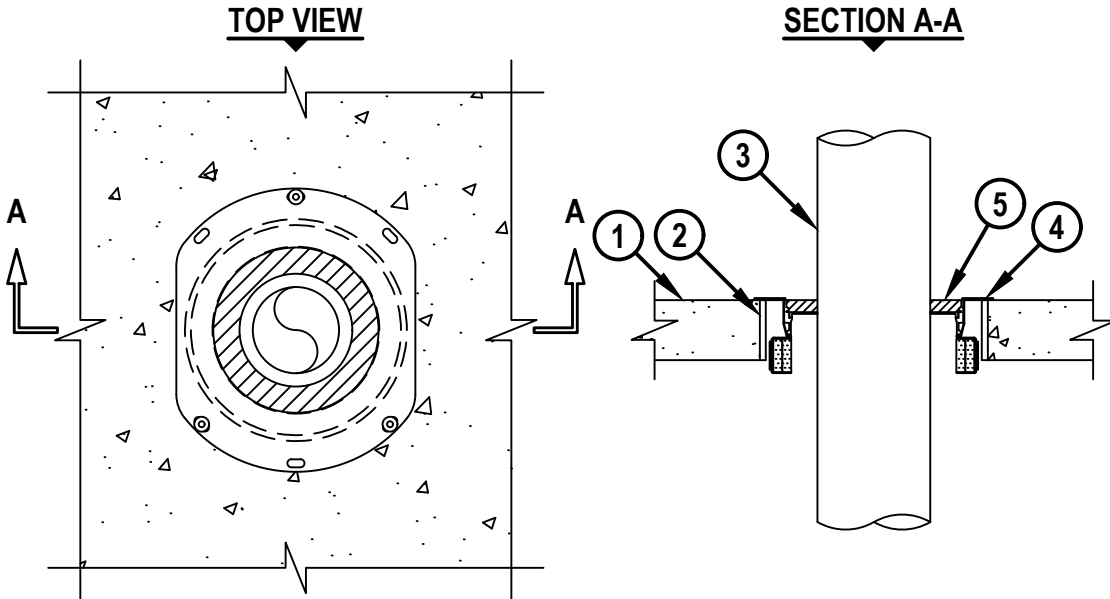
UL SYSTEM NO. F-A-2271

PLASTIC PIPE THROUGH CONCRETE FLOOR ASSEMBLY

F-RATING = 2-HR.

T-RATING = 0-HR. OR 3/4-HR.

FA2271a.070517



1. LIGHTWEIGHT OR NORMAL WEIGHT CONCRETE FLOOR OR WALL ASSEMBLY (MINIMUM 2-1/2" TO 8" THICK) (2-HR. FIRE-RATING).
2. [OPTIONAL - NOT SHOWN] ANY OF THE FOLLOWING SLEEVES MAY BE USED :
 - A. NOMINAL 6" OR 9" DIAMETER STEEL PIPE SLEEVE (SCHEDULE 10 OR HEAVIER) CAST OR GROUTED INTO FLOOR ASSEMBLY, FLUSH WITH FLOOR SURFACES.
 - B. NOMINAL 6" OR 9" DIAMETER GALVANIZED STEEL SLEEVE (MIN. 26 GA.) WITH SQUARE FLANGE SPOT WELDED TO BOTTOM OR MID-HEIGHT OF SLEEVE AND SIZED MINIMUM 2" LARGER THAN SLEEVE DIAMETER. SLEEVE IS TO BE CAST IN PLACE, AND MAY EXTEND A MAXIMUM 4" BELOW BOTTOM SURFACE OF FLOOR AND SIT FLUSH WITH TOP SURFACE OF FLOOR.
3. MAXIMUM 4" NOMINAL DIAMETER GREENPIPE (SDR 7.4) PP-R PLASTIC PIPE (MFG. BY AQUATHERM) (CLOSED PIPING SYSTEM).
4. HILTI CFS-DID FIRESTOP DROP-IN DEVICE INSERTED INTO OPENING (SEE TABLE BELOW) AND SECURED TO TOP OF FLOOR WITH THREE HILTI 1/4" (6mm) DIAMETER BY 1-1/4" (32mm) LONG KWIK-CON II+ CONCRETE SCREW ANCHORS, HILTI 1/4" (6mm) DIAMETER BY 1-3/4" (45mm) LONG KWIK BOLT 3 STEEL EXPANSION ANCHORS, OR HILTI 1/4" (6mm) BY 3/4" (19mm) LONG METAL HIT ANCHORS (INSTALLED IN A TRIANGULAR FASHION THROUGH HOLES PROVIDED).
5. MINIMUM 1/2" DEPTH HILTI CF 812 PRO INSULATING FOAM FLUSH WITH THE TOP OF DEVICE (REQUIRED ONLY FOR NOMINAL 4" DIAMETER PIPE).

CORE HOLE OR SLEEVE DIAMETER	PRODUCT DESCRIPTION	NOMINAL PIPE DIAMETER
4"	CFS-DID 2" MD	2"
6"	CFS-DID 4" MD	3"
9"	CFS-DID 6" MD	4"



HILTI, Inc.
Plano, Texas USA (800) 879-8000

Sheet	1 of 1
Scale	1/8" = 1"
Date	July 05, 2017

Drawing No.
**FA
2271a**

Saving Lives through Innovation and Education