

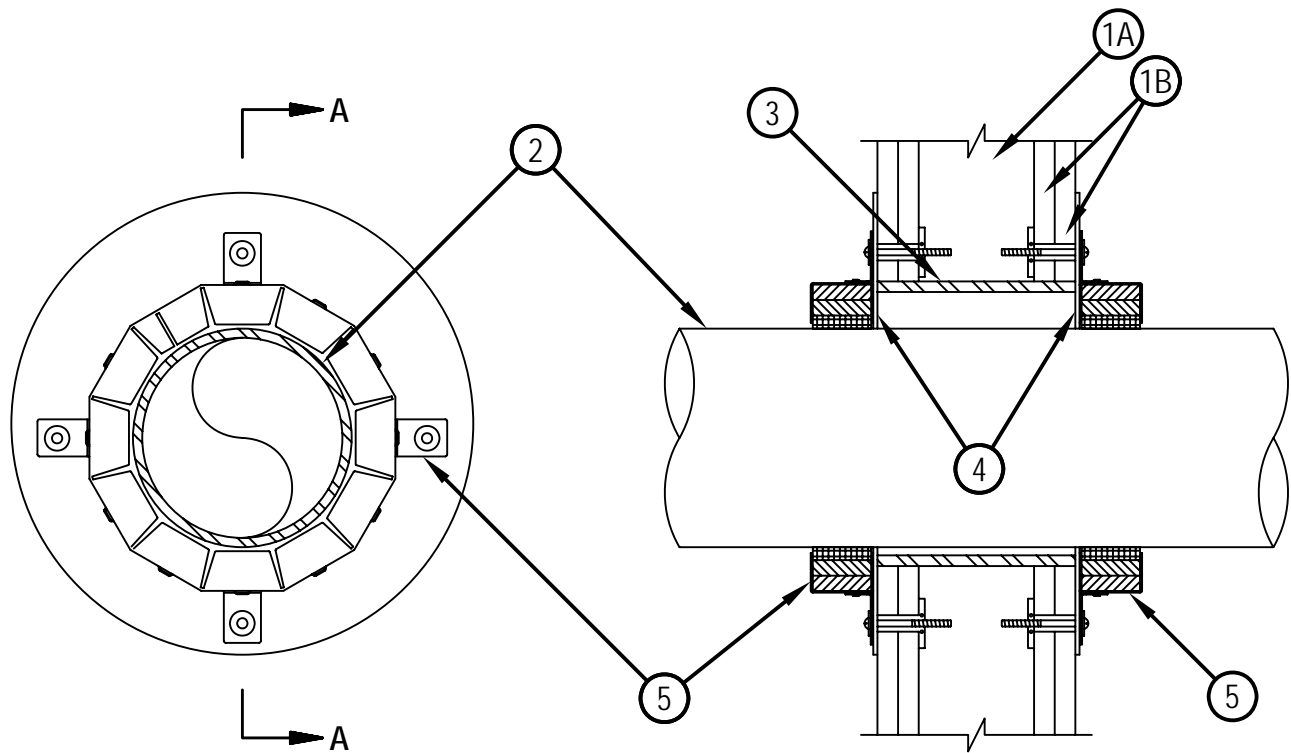


Classified by  
Underwriters Laboratories, Inc.  
to UL 1479

# System No. W-L-2084

F Ratings - 1 & 2 Hr (See Item 1)  
T Ratings - 0 & 1-1/2 Hr (See Item 1)

WL 2084



SECTION A-A



**Hilti Firestop Systems**

Reproduced by HILTI, Inc. Courtesy of  
Underwriters Laboratories, Inc.  
November 29, 2005



Classified by  
Underwriters Laboratories, Inc.  
to UL 1479

## System No. W-L-2084

F Ratings - 1 & 2 Hr (See Item 1)  
T Ratings - 0 & 1-1/2 Hr (See Item 1)

WL 2084

1. Wall Assembly — The fire-rated gypsum wallboard/stud wall assembly shall be constructed of the materials and in the manner specified in the individual U300 or U400 Series Wall and Partition Designs in the UL Fire Resistance Directory and shall include the construction features noted below.

The hourly F Rating of the firestop system is equal to the hourly fire rating of the wall assembly in which it is installed. The hourly T Rating is 1-1/2 Hr when installed in 2 hr fire-rated wall, 0 hr when installed in 1 hr fire-rated wall.

A. Studs — Wall framing may consist of either wood studs or steel channel studs. Wood studs to consist of nom 2 by 4 in. lumber spaced 16 in. OC. Steel studs to be min 2-1/2 in. wide and spaced max 24 in. OC.

B. Gypsum Board\* — Nom 5/8 in. thick gypsum wallboard, as specified in the individual Wall and Partition Design. Max diam of opening is 8 in.

2. Through-Penetrants — One nonmetallic pipe, conduit or tubing to be installed within the firestop system. The annular space between pipe and periphery of opening shall be min 1/4 in. to max 1-1/4 in. Pipe or conduit to be rigidly supported on both sides of the wall assembly. The following types and sizes of nonmetallic pipes may be used:

A. Polyvinyl Chloride (PVC) Pipe — Nom 6 in. diam (or smaller) Schedule 40 solid-core or cellular core PVC pipe for use in closed (process or supply) or vented (drain, waste or vent) piping system.

B. Chlorinated Polyvinyl Chloride (CPVC) Pipe — Nom 6 in. diam (or smaller) SDR17 CPVC pipe for use in closed (process or supply) or vented (drain, waste or vent) piping systems.

C. Acrylonitrile Butadiene Styrene (ABS) Pipe — Nom 6 in. diam (or smaller) Schedule 40 solid-core or cellular core ABS pipe for use in closed (process or supply) or vented (drain, waste or vent) piping systems.

D. Flame Retardant Polypropylene (FRPP) Pipe — Nom 6 in. diam (or smaller) Schedule 40 FRPP pipe for use in closed (process or supply) or vented (drain, waste or vent) piping system.

3. Metallic Sleeve — Nom 8 in. diam (or smaller) Schedule 40 (or thinner) steel pipe cast into wall assembly with joint compound and installed flush with wall surfaces

4. Metal Cover Plate — Min. 18 ga. steel with max I.D. 1/4 in. larger than O.D. of pipe. Min. O.D. of cover plate to be 2-1/2 in. larger than O.D. of pipe. Installed between collar and wall surfaces.

5. Firestop Device\* — Firestop Collar — Firestop collar shall be installed in accordance with the accompanying installation instructions. Collar to be installed and latched around the pipe and secured to both sides of the wall using the anchor hooks provided with the collar. (Minimum 2 anchor hooks for 1-1/2 and 2 in. diam pipes, 3 anchor hooks for 3 and 4 in. diam pipes, and 4 anchor hooks for 6 in. diam pipes). The anchor hooks are to be secured to the surface of wall with 3/16 by 2-1/2 in. long toggle bolts along with washers. As an alternate for pipe sizes of nom 4 in. diam or less, min No. 10 by 1-1/2 in. long drywall or laminate screws with min 3/4 in. steel washers may be used.

HILTI CONSTRUCTION CHEMICALS, DIV OF

HILTI INC — CP 643 50/1.5"N, CP 643 63/2"N, CP 643 90/3"N, CP 643 110/4"N or CP 643 160/6"N Firestop Collar

\*Bearing the UL Classification Mark



**Hilti Firestop Systems**

Reproduced by HILTI, Inc. Courtesy of  
Underwriters Laboratories, Inc.  
November 29, 2005

Page: 2 of 2