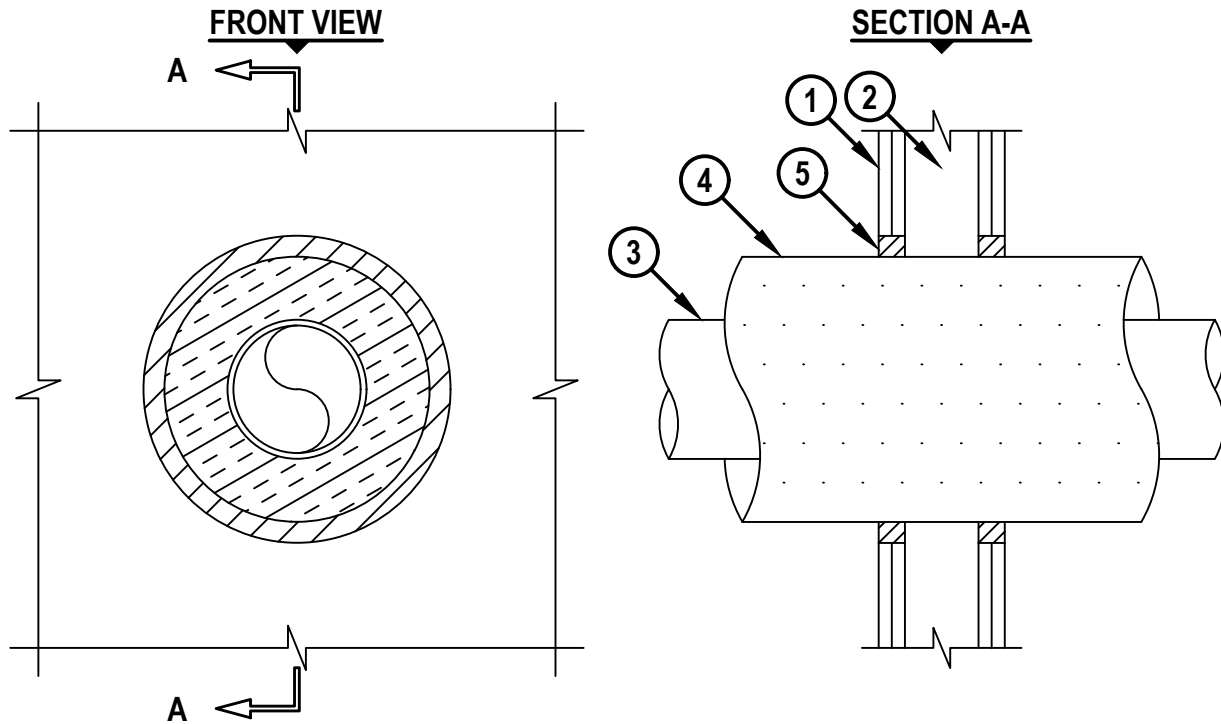


INSULATED METAL PIPE THROUGH GYPSUM WALL ASSEMBLY

F-RATING = 2-HR.
T-RATING = 1-3/4-HR.

WL5343a.091317



1. GYPSUM WALL ASSEMBLY (UL/cUL CLASSIFIED U300, U400, V400, OR W400 SERIES) (2-HR. FIRE-RATING).
2. [NOT SHOWN] WOOD STUDS TO CONSIST OF NOMINAL 2" x 4" LUMBER (SPACED MAXIMUM 16" OC).
STEEL STUDS TO BE MINIMUM 3-1/2" WIDE (SPACED MAXIMUM 24" OC).
3. PENETRATING ITEM TO BE ONE OF THE FOLLOWING :
 - A. MAXIMUM 6" NOMINAL DIAMETER STEEL PIPE (SCHEDULE 10 OR HEAVIER).
 - B. MAXIMUM 6" NOMINAL DIAMETER CAST OR DUCTILE IRON PIPE.
4. NOMINAL 3" THICK GLASS-FIBER PIPE INSULATION.
5. MINIMUM 1-1/4" DEPTH HILTI FS-ONE MAX INTUMESCENT FIRESTOP SEALANT.

NOTES : 1. MAXIMUM DIAMETER OF OPENING = 14-5/8".
2. ANNULAR SPACE = MINIMUM 1/4", MAXIMUM 1-3/4".

 Hilti Firestop Systems	HILTI, Inc. Plano, Texas USA (800) 879-8000	Sheet 1 of 1	Drawing No. WL 5343a
		Scale 7/64" = 1"	
		Date Sep. 13, 2017	
Saving Lives through Innovation and Education			