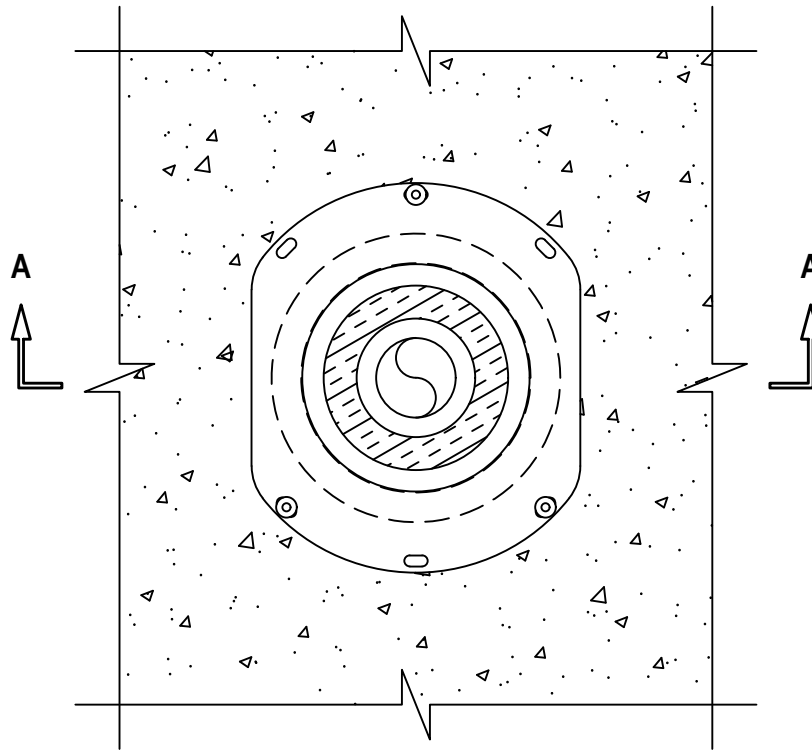


UL SYSTEM NO. F-A-5055
INSULATED PLASTIC PIPE THROUGH CONCRETE FLOOR ASSEMBLY

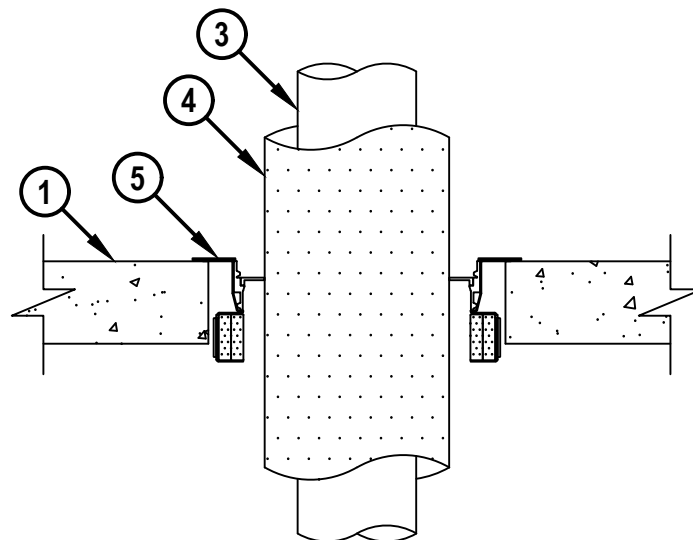
F-RATING = 2-HR.
T-RATING = 0-HR. OR 1/2-HR.

FA5055b.091222

TOP VIEW



SECTION A-A



HILTI, Inc.
Plano, Texas USA (800) 879-8000

Sheet	1 of 2
Scale	1 1/64" = 1"
Date	Sep. 12, 2022

Drawing No.

**FA
5055b**

Saving Lives through Innovation and Education

UL SYSTEM NO. F-A-5055

INSULATED PLASTIC PIPE THROUGH CONCRETE FLOOR ASSEMBLY

F-RATING = 2-HR.

T-RATING = 0-HR. OR 1/2-HR.

FA5055b.091222

1. CONCRETE FLOOR ASSEMBLY (2-HR. FIRE-RATING) :
 - A. LIGHTWEIGHT OR NORMAL WEIGHT CONCRETE FLOOR (MINIMUM 2-1/2" TO 8" THICK).
 - B. STEEL FLOOR UNIT/FLOOR ASSEMBLY - LIGHTWEIGHT OR NORMAL WEIGHT CONCRETE FLOOR (MINIMUM 2-1/2" TO 8" THICK) OVER METAL DECKING (UL CLASSIFIED D700, D800, OR D900 SERIES).
2. [OPTIONAL - NOT SHOWN] ANY OF THE FOLLOWING SLEEVES MAY BE USED :
 - A. NOMINAL 9" DIAMETER STEEL PIPE SLEEVE (SCHEDULE 10 OR HEAVIER) CAST OR GROUTED INTO FLOOR ASSEMBLY, FLUSH WITH FLOOR SURFACES.
 - B. NOMINAL 9" DIAMETER GALVANIZED STEEL SLEEVE (MIN. 26 GA.) WITH SQUARE FLANGE SPOT WELDED TO BOTTOM OR MID-HEIGHT OF SLEEVE AND SIZED MINIMUM 2" LARGER THAN SLEEVE DIAMETER. SLEEVE IS TO BE CAST IN PLACE, AND MAY EXTEND A MAXIMUM 4" BELOW BOTTOM SURFACE OF FLOOR AND SIT FLUSH WITH TOP SURFACE OF FLOOR.
3. MAXIMUM 3" NOMINAL DIAMETER POLYPROPYLENE RANDOM (PP-R) PIPE (SDR 7.4) AQUATHERM GREENPIPE (CLOSED PIPING SYSTEM ONLY).
4. NOMINAL 1" OR 2" THICK GLASS-FIBER PIPE INSULATION (MIN. 3.5 PCF DENSITY).
5. HILTI CFS-DID FIRESTOP DROP-IN DEVICE INSERTED INTO OPENING (SEE TABLE BELOW) AND SECURED TO TOP OF FLOOR WITH THREE HILTI 1/4" (6mm) DIAMETER BY 1-1/4" (32mm) LONG KWIK-CON II+ CONCRETE SCREW ANCHORS, HILTI 1/4" (6mm) DIAMETER BY 1-3/4" (45mm) LONG KWIK BOLT 3 STEEL EXPANSION ANCHORS, OR HILTI 1/4" (6mm) BY 3/4" (19mm) LONG METAL HIT ANCHORS (INSTALLED IN A TRIANGULAR FASHION THROUGH HOLES PROVIDED). IN ADDITION, FOR NOMINAL 2", 3", AND 4" DEVICES, FOUR 11/16" (18mm) LONG HILTI X-GH P18 MX STEEL FASTENERS MAY BE INSTALLED THROUGH THE STEEL FLANGE, TWO ON EACH SIDE.

CORE HOLE OR SLEEVE DIAMETER	FIRESTOP DEVICE	NOMINAL DIAMETER OF THROUGH PENETRANT	INSULATION THICKNESS
9"	CFS-DID 6" MD	3"	1"
9"	CFS-DID 6" MD	2"	2"

NOTE : T-RATING = 0-HR. WHEN SLEEVE IS USED.



HILTI, Inc.
Plano, Texas USA (800) 879-8000

Sheet	2 of 2
Scale	-
Date	Sep. 12, 2022

Drawing No.
**FA
5055b**

Saving Lives through Innovation and Education