

UL SYSTEM NO. F-A-2270

PLASTIC PIPE THROUGH CONCRETE FLOOR ASSEMBLY

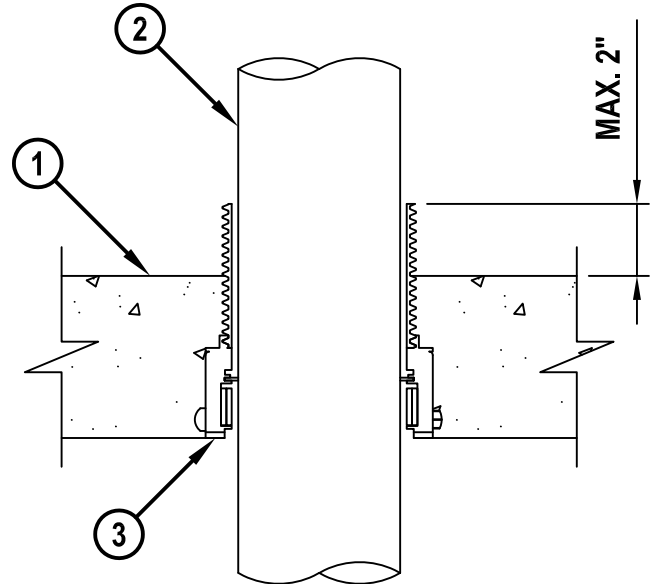
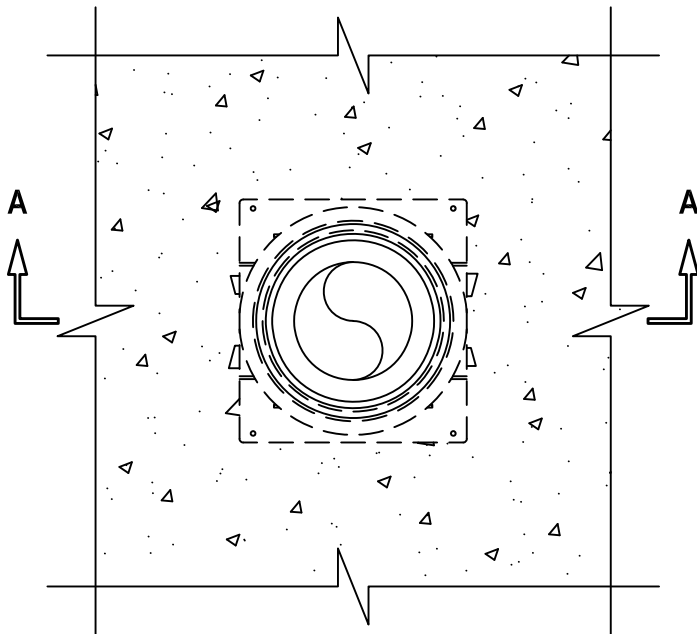
F-RATING = 3-HR.

T-RATING = 3-HR.

FA2270a.020818

TOP VIEW

SECTION A-A



1. LIGHTWEIGHT OR NORMAL WEIGHT CONCRETE FLOOR ASSEMBLY (MINIMUM 4-1/2" THICK) (3-HR. FIRE-RATING).
2. MAXIMUM 4" NOMINAL DIAMETER POLYPROPYLENE RANDOM (PP-R) PIPE (SDR 7.4) AQUATHERM GREENPIPE (CLOSED PIPING SYSTEM ONLY).
3. HILTI CP 680-P OR CP 680-PX CAST-IN FIRESTOP DEVICE, CAST OR GROUTED INTO CONCRETE FLOOR (SEE TABLE BELOW).

NOMINAL PIPE DIAMETER	FIRESTOP DEVICE
2"	CP 680-P 2" OR CP 680-PX 2"
3"	CP 680-P 3" OR CP 680-PX 3"
4"	CP 680-P 4"

NOTE : WHEN PIPE DIAMETER IS SMALLER THAN INDICATED ABOVE, MINIMUM 4" THICKNESS MINERAL WOOL (MIN. 4 PCF DENSITY) SHALL BE TIGHTLY PACKED INTO HILTI CP 680-P OR HILTI CP 680-PX, FLUSH WITH TOP SURFACE OF DEVICE.



HILTI, Inc.
Plano, Texas USA (800) 879-8000

Sheet	1 of 1
Scale	3/16" = 1"
Date	Feb. 08, 2018

Drawing No.

**FA
2270a**

Saving Lives through Innovation and Education