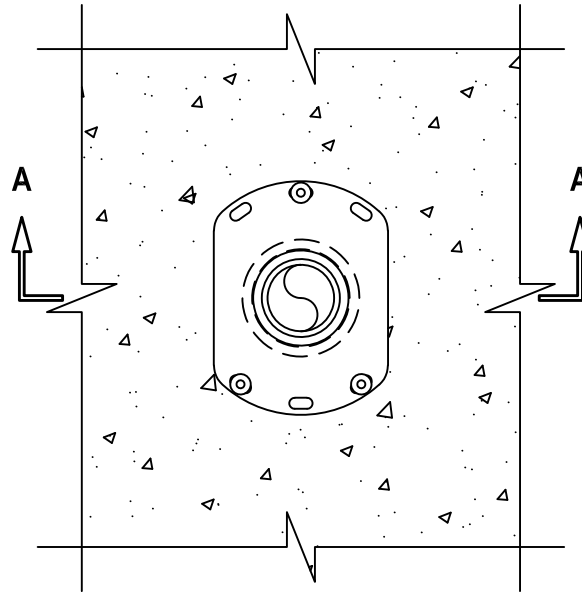


UL SYSTEM NO. F-A-2284
PLASTIC PIPE THROUGH CONCRETE FLOOR ASSEMBLY

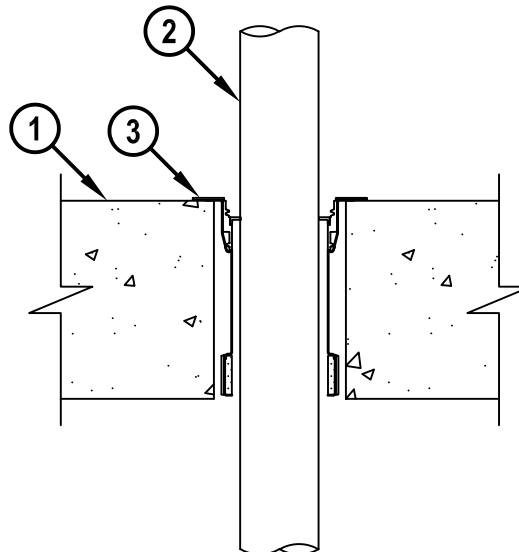
F-RATING = 2-HR.
T-RATING = 2-HR.

FA2284b.032118

TOP VIEW



SECTION A-A



Hilti Firestop Systems

HILTI, Inc.
Plano, Texas USA (800) 879-8000

Sheet	1 of 2
Scale	11/64" = 1"
Date	Mar. 21, 2018

Drawing No.

**FA
2284b**

Saving Lives through Innovation and Education

PLASTIC PIPE THROUGH CONCRETE FLOOR ASSEMBLY

F-RATING = 2-HR.

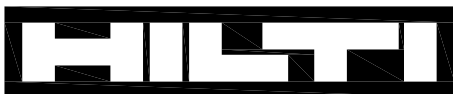
T-RATING = 2-HR.

FA2284b.032118

1. CONCRETE FLOOR ASSEMBLY (2-HR. FIRE-RATING) :
 - A. LIGHTWEIGHT OR NORMAL WEIGHT CONCRETE FLOOR (MINIMUM 4-1/2" TO 12" THICK).
 - B. STEEL FLOOR UNIT/FLOOR ASSEMBLY - LIGHTWEIGHT OR NORMAL WEIGHT CONCRETE FLOOR (MINIMUM 4-1/2" TO 12" THICK) OVER METAL DECKING (UL CLASSIFIED D700, D800, OR D900 SERIES).
2. MAXIMUM 2" NOMINAL DIAMETER CROSS-LINKED POLYETHYLENE (PEX) TUBING (SDR 9) (AQUAPEX OR WIRSBO HEPEX BY UPONOR) (CLOSED PIPING SYSTEM ONLY).
3. HILTI CFS-DID FIRESTOP DROP-IN DEVICE INSERTED INTO OPENING (SEE TABLE BELOW) AND SECURED TO TOP OF FLOOR WITH THREE HILTI 1/4" (6MM) DIAMETER BY 1-1/4" (32MM) LONG KWIK-CON II+ CONCRETE SCREW ANCHORS, HILTI 1/4" (6MM) DIAMETER BY 1-3/4" (45MM) LONG KWIK BOLT 3 STEEL EXPANSION ANCHORS, OR HILTI 1/4" (6MM) BY 3/4" (19MM) LONG METAL HIT ANCHORS (INSTALLED IN A TRIANGULAR FASHION THROUGH HOLES PROVIDED). IN ADDITION, FOR NOMINAL 2", 3", AND 4" DEVICES, FOUR 11/16" (18MM) LONG HILTI X-GH P18 MX STEEL FASTENERS MAY BE INSTALLED THROUGH THE STEEL FLANGE, TWO ON EACH SIDE.

NOM TUBE (ITEM 2) DIAM	FIRESTOP DEVICE	CORE HOLE DIAM	FLOOR THICKNESS (MIN. - MAX.)
2" OR SMALLER+	CFS-DID 2" MD	4"	4-1/2" to 8"
3"	CFS-DID 3" MD	5"	4-1/2" to 8"
4"	CFS-DID 4" MD	6"	4-1/2" to 8"
2" OR SMALLER	CFS-DID 2" C	4"	6" to 12"
3"	CFS-DID 3" C	5"	6" to 12"
4"	CFS-DID 4" C	6"	6" to 12"

+FOR PIPES SMALLER THAN NOMINAL 2" DIAMETER, AN ADAPTER AND HILTI IPS OR CPS TOP SEAL PLUG IS REQUIRED TO BE USED.



Hilti Firestop Systems

HILTI, Inc.
Plano, Texas USA (800) 879-8000

Sheet	2 of 2
Scale	-
Date	Mar. 21, 2018

Drawing No.

**FA
2284b**