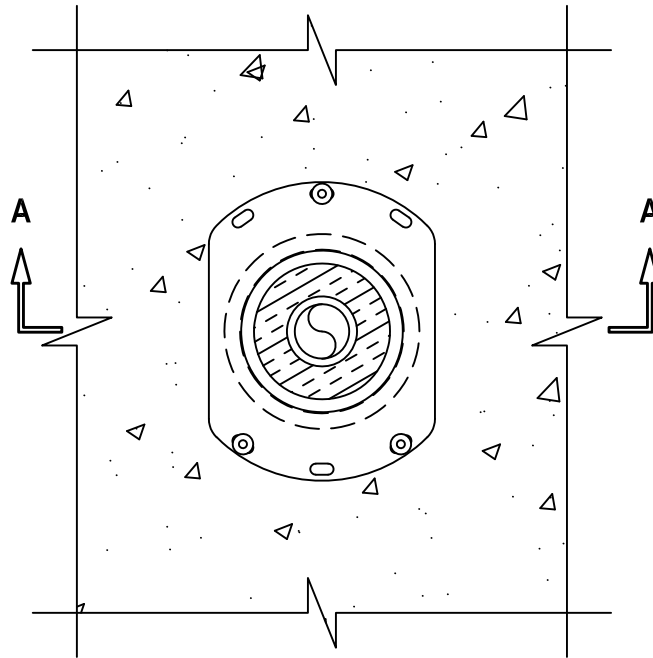


UL SYSTEM NO. F-A-5061
INSULATED METAL PIPE THROUGH CONCRETE FLOOR ASSEMBLY

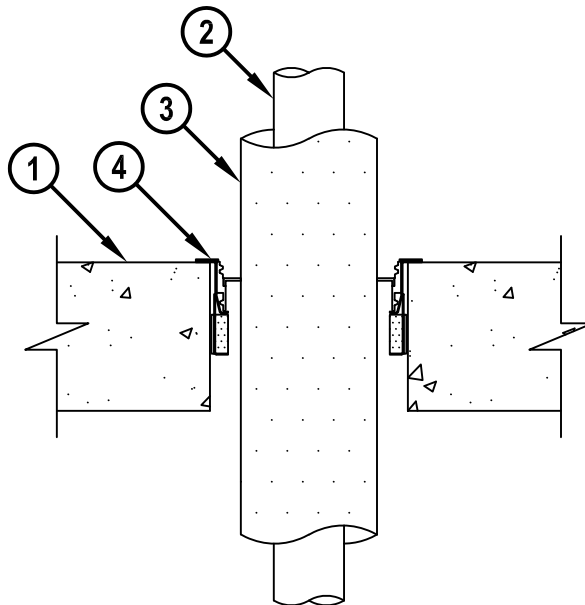
F-RATING = 2-HR.
T-RATING = 1 3/4-HR.

FA5010a.021218

TOP VIEW



SECTION A-A



HILTI, Inc.
Plano, Texas USA (800) 879-8000

Sheet	1 of 2
Scale	11/64" = 1"
Date	Feb 12, 2018

Drawing No.

**FA
5061a**

Saving Lives through Innovation and Education

INSULATED METAL PIPE THROUGH CONCRETE FLOOR ASSEMBLY

F-RATING = 2-HR.
T-RATING = 1 3/4-HR.

FA5010a.021218

1. CONCRETE FLOOR ASSEMBLY (2-HR. FIRE-RATING) :
 - A. LIGHTWEIGHT OR NORMAL WEIGHT CONCRETE FLOOR (MINIMUM 4-1/2" TO 12" THICK).
 - B. STEEL FLOOR UNIT/FLOOR ASSEMBLY - NORMAL WEIGHT CONCRETE FLOOR (MINIMUM 4-1/2" TO 12" THICK) OVER METAL DECKING (UL CLASSIFIED D700, D800, OR D900 SERIES).
2. MAXIMUM 2" NOMINAL DIAMETER CROSS-LINKED POLYETHYLENE (PEX) TUBING (SDR 9) (AQUAPEX OR WIRSBO HEPEX BY UPONOR) (CLOSED PIPING SYSTEM ONLY).
3. NOMINAL 1" THICK GLASS-FIBER PIPE INSULATION (MIN. 3.5 PCF DENSITY).
4. HILTI CFS-DID FIRESTOP DROP-IN DEVICE INSERTED INTO OPENING (SEE TABLE BELOW) AND SECURED TO TOP OF FLOOR WITH THREE HILTI 1/4" (6mm) DIAMETER BY 1-1/4" (32mm) LONG KWIK-CON II+ CONCRETE SCREW ANCHORS, HILTI 1/4" (6mm) DIAMETER BY 1-3/4" (45mm) LONG KWIK BOLT 3 STEEL EXPANSION ANCHORS, OR HILTI 1/4" (6mm) BY 3/4" (19mm) LONG METAL HIT ANCHORS (INSTALLED IN A TRIANGULAR FASHION THROUGH HOLES PROVIDED). IN ADDITION, FOR NOMINAL 2", 3", AND 4" DEVICES, FOUR 11/16" (18mm) LONG HILTI X-GH P18 MX STEEL FASTENERS MAY BE INSTALLED THROUGH THE STEEL FLANGE, TWO ON EACH SIDE.

NOM TUBE (ITEM 2) DIAM	INSULATION THICKNESS	FIRESTOP DEVICE	CORE HOLE DIAM	FLOOR THICKNESS (MIN. - MAX.)
1/2"	1"	CFS-DID 2" MD	4"	4-1/2" to 8"
1"	1"	CFS-DID 3" MD	5"	4-1/2" to 8"
2"	1"	CFS-DID 4" MD	6"	4-1/2" to 8"
1/2"	1"	CFS-DID 2" C	4"	6" to 12"
1"	1"	CFS-DID 3" C	5"	6" to 12"
2"	1"	CFS-DID 4" C	6"	6" to 12"



HILTI, Inc.
Plano, Texas USA (800) 879-8000

Sheet	2 of 2
Scale	-
Date	Feb 12, 2018

Drawing No.
**FA
5061a**