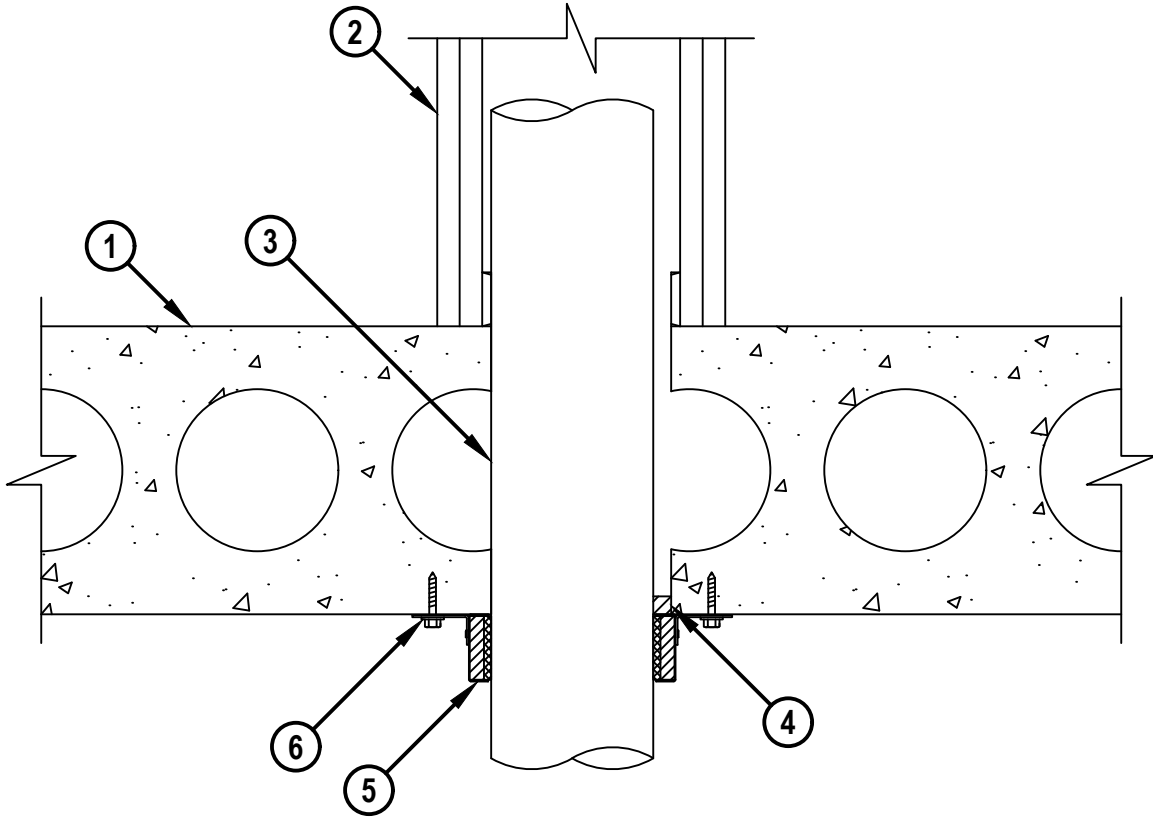


UL/cUL SYSTEM NO. F-B-2063
PLASTIC PIPE THROUGH CONCRETE FLOOR ASSEMBLY

F-RATING = 2-HR.
T-RATING = 2-HR.

CROSS-SECTIONAL VIEW



FB2063b.032218



HILTI, Inc.
Plano, Texas USA (800) 879-8000

Sheet	1 of 2
Scale	3/16" = 1"
Date	Mar. 22, 2018

Drawing No.
**FB
2063b**

Saving Lives through Innovation and Education

PLASTIC PIPE THROUGH CONCRETE FLOOR ASSEMBLY

F-RATING = 2-HR.

T-RATING = 2-HR.

FB2063b.032218

SYSTEM TESTED WITH A PRESSURE DIFFERENTIAL OF 2.5 Pa BETWEEN THE EXPOSED AND THE UNEXPOSED SURFACES WITH THE HIGH PRESSURE ON THE EXPOSED SIDE.

1. CONCRETE FLOOR ASSEMBLY (2-HR. FIRE-RATING) :
 - A. LIGHTWEIGHT OR NORMAL WEIGHT CONCRETE FLOOR (MINIMUM 6" THICK).
 - B. ANY UL/cUL CLASSIFIED PRECAST (HOLLOW-CORE) CONCRETE FLOOR (MINIMUM 6" THICK).
2. [OPTIONAL] GYPSUM WALL ASSEMBLY (NON-RATED, 1-HR OR 2-HR. FIRE-RATING) (2-HR. SHOWN) CONSISTING OF NOMINAL 2" x 4", 2" x 6", OR PARALLEL 2" x 4" LUMBER PLATES AND STUDS.
3. PENETRATING ITEM TO BE ONE OF THE FOLLOWING :
 - A. MAXIMUM 4" NOMINAL DIAMETER PVC PLASTIC PIPE.
 - B. MAXIMUM 4" NOMINAL DIAMETER CPVC PLASTIC PIPE (CLOSED PIPING SYSTEM ONLY).
 - C. MAXIMUM 4" NOMINAL DIAMETER ABS PLASTIC PIPE.
4. MINIMUM 1/2" DEPTH HILTI FS-ONE MAX INTUMESCENT FIRESTOP SEALANT FLUSH WITH BOTTOM SURFACE OF FLOOR.
5. HILTI CP 643N FIRESTOP COLLAR WITH FASTENING HOOKS (SEE TABLE BELOW).
6. EACH FASTENING HOOK SECURED TO BOTTOM OF FLOOR WITH 1/4" x 1-1/2" LONG STEEL EXPANSION BOLTS IN CONJUNCTION WITH STEEL NUTS AND MIN. 3/4" DIAMETER STEEL WASHERS (EX. HILTI KWIK-BOLT 3).

NOMINAL PIPE DIAMETER	PRODUCT DESCRIPTION	NO. OF FASTENING HOOKS
1-1/2"	CP 643 50/1.5" N	2
2"	CP 643 63/2" N	2
3"	CP 643 90/3" N	3
4"	CP 643 110/4" N	3

- NOTES :**
1. MAXIMUM DIAMETER OF OPENING [THROUGH CONCRETE FLOOR] = 5".
 2. MAXIMUM DIAMETER OF OPENING [THROUGH SOLE PLATE] = 5". AS AN ALTERNATIVE, OPENING MAY BE SQUARE-CUT IN LUMBER PLATES WITH A MAXIMUM DIMENSION 1" GREATER THAN THE DIAMETER OF THE PIPE.
 2. WHEN LUMBER PLATES ARE DISCONTINUOUS, ATTACH A NOMINAL 1-1/2" WIDE 20 GA. (OR HEAVIER) GALVANIZED STEEL PLATE TO EACH END OF LUMBER PLATE. STEEL PLATES SHOULD OVERLAP 2" ONTO LUMBER, AND SECURED WITH STEEL SCREWS OR NAILS.
 3. ANNULAR SPACE = MINIMUM 0", MAXIMUM 1/2".
 4. CLOSED OR VENTED PIPING SYSTEM (PVC AND ABS = SCHEDULE 40; CPVC = SDR 17).



HILTI, Inc.
Plano, Texas USA (800) 879-8000

Sheet	2 of 2
Scale	-
Date	Mar. 22, 2018

Drawing No.

**FB
2063b**