

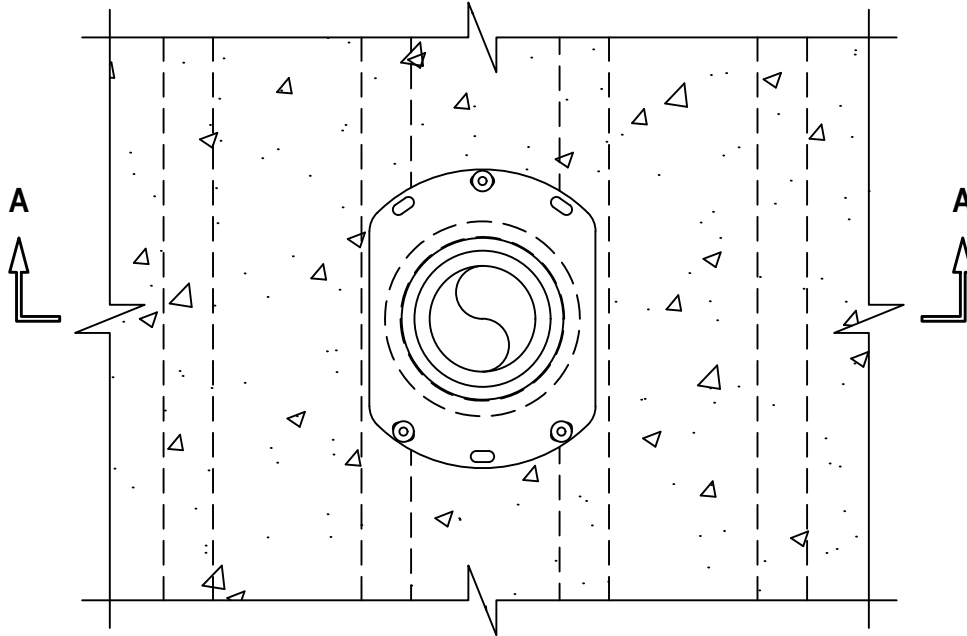
UL SYSTEM NO. F-B-2064

PLASTIC PIPE THROUGH HOLLOW-CORE CONCRETE FLOOR ASSEMBLY

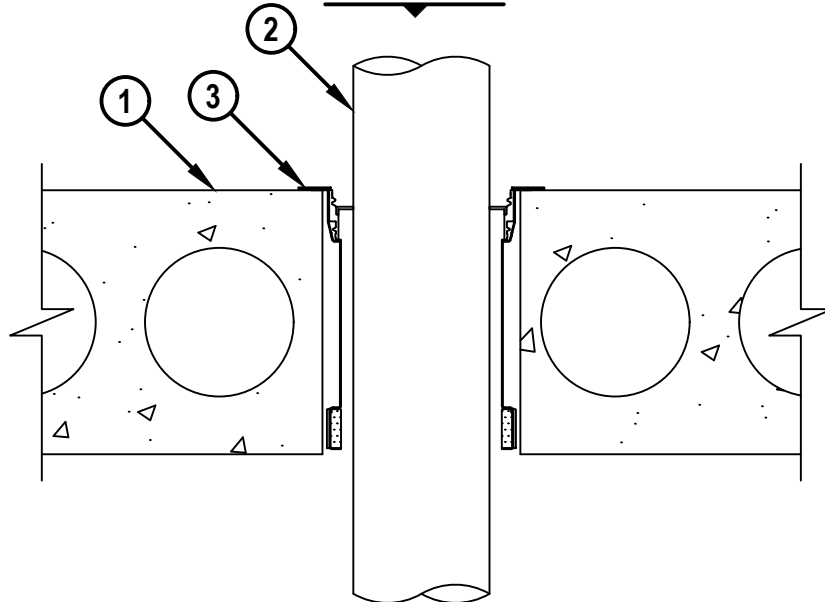
F-RATING = 2-HR.

T-RATING = 1-3/4-HR.

TOP VIEW



SECTION A-A



FB2064b.031918



HILTI, Inc.
Plano, Texas USA (800) 879-8000

Sheet	1 of 2
Scale	1 1/64" = 1"
Date	Mar. 19, 2018

Drawing No.
**FB
2064b**

Saving Lives through Innovation and Education

PLASTIC PIPE THROUGH HOLLOW-CORE CONCRETE FLOOR ASSEMBLY

F-RATING = 2-HR.

T-RATING = 1-3/4-HR.

FB2064b.031918

1. ANY UL/cUL CLASSIFIED PRECAST (HOLLOW-CORE) CONCRETE FLOOR (MINIMUM 6" TO MAXIMUM 12-1/2" THICK) (2-HR. FIRE-RATING).
2. MAXIMUM 4" NOMINAL DIAMETER CROSS-LINKED POLYETHYLENE (PEX) TUBING (SDR 9) (AQUAPEX OR WIRSBO HEPEX BY UPONOR) (CLOSED PIPING SYSTEM ONLY).
3. HILTI CFS-DID FIRESTOP DROP-IN DEVICE INSERTED INTO OPENING (SEE TABLE BELOW) AND SECURED TO TOP OF FLOOR WITH THREE HILTI 1/4" (6mm) DIAMETER BY 1-1/4" (32mm) LONG KWIK-CON II+ CONCRETE SCREW ANCHORS, HILTI 1/4" (6mm) DIAMETER BY 1-3/4" (45mm) LONG KWIK BOLT 3 STEEL EXPANSION ANCHORS, OR HILTI 1/4" (6mm) BY 3/4" (19mm) LONG METAL HIT ANCHORS (INSTALLED IN A TRIANGULAR FASHION THROUGH HOLES PROVIDED). IN ADDITION, FOR NOMINAL 2", 3", AND 4" DEVICES, FOUR 11/16" (18mm) LONG HILTI X-GH P18 MX STEEL FASTENERS MAY BE INSTALLED THROUGH THE STEEL FLANGE, TWO ON EACH SIDE.

CORE HOLE OR SLEEVE DIAM	FIRESTOP DEVICE	NOM DIAM OF THROUGH PENETRANT	FLOOR THICKNESS (MIN. MAX.)
4"	CFS-DID 2" C	2" OR SMALLER+	6" to 6-1/2"
5"	CFS-DID 3" C	3"	6" to 6-1/2"
6"	CFS-DID 4" C	4"	6" to 6-1/2"
4"	CFS-DID 2" HC8	2" OR SMALLER+	7-1/2" to 8-1/2"
5"	CFS-DID 3" HC8	3"	7-1/2" to 8-1/2"
6"	CFS-DID 4" HC8	4"	7-1/2" to 8-1/2"
4"	CFS-DID 2" HC10	2" OR SMALLER+	9-1/2" to 10-1/2"
5"	CFS-DID 3" HC10	3"	9-1/2" to 10-1/2"
6"	CFS-DID 4" HC10	4"	9-1/2" to 10-1/2"
4"	CFS-DID 2" HC12	2" OR SMALLER+	11-1/2" to 12-1/2"
5"	CFS-DID 3" HC12	3"	11-1/2" to 12-1/2"
6"	CFS-DID 4" HC12	4"	11-1/2" to 12-1/2"

+ FOR PIPE SMALLER THAN NOMINAL 2" DIAMETER, AN ADAPTER AND HILTI IPS OR CPS TOP SEAL PLUG MUST BE USED IN CONJUNCTION WITH THE CFS-DID 2" C, HC8, HC10, AND HC12 DEVICES.



HILTI, Inc.
Plano, Texas USA (800) 879-8000

Sheet	2 of 2
Scale	-
Date	Mar. 19, 2018

Drawing No.
**FB
2064b**