

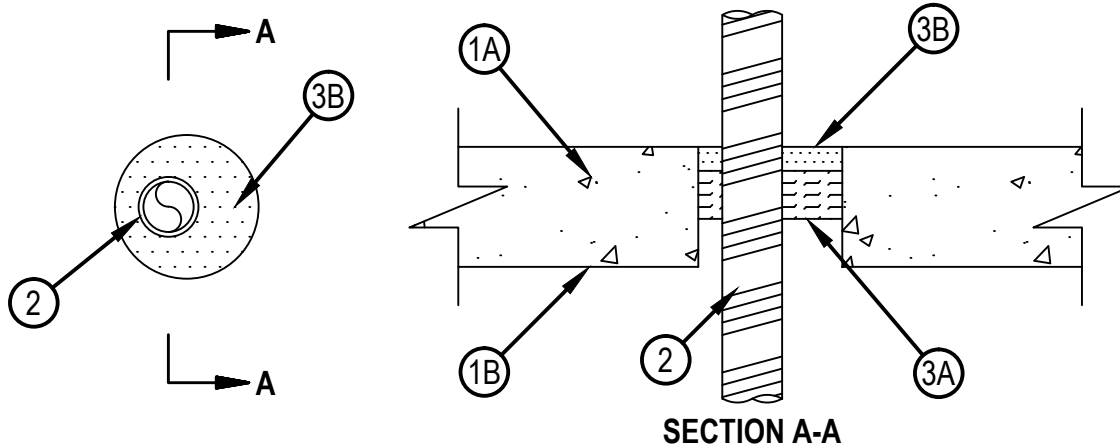


Classified by  
Underwriters Laboratories, Inc.  
to UL 1479 and CAN/ULC-S115

## System No. C-AJ-1346

| ANSI/ UL1479 (ASTM E814) | CAN/ULC S115      |
|--------------------------|-------------------|
| F Rating - 2 Hr          | F Rating - 2 Hr   |
| T Rating - 0 Hr          | FT Rating - 0 Hr  |
|                          | FH Rating - 2 Hr  |
|                          | FTH Rating - 0 Hr |

CAJ 1346



**SECTION A-A**

- Floor or Wall Assembly — Min 2-1/2 in. (64 mm) thick reinforced lightweight or normal weight (100-150 pcf or 1600-2400 kg/m<sup>3</sup>) concrete. Wall may also be constructed of any UL Classified Concrete Blocks\*. Max diam of opening is 3 in. (76 mm).  
See Concrete Blocks (CAZT) category in the Fire Resistance Directory for names of manufacturers.
- Through-Penetrant — Max one flexible metal pipe or conduit installed concentrically or eccentrically within opening. The annular space between penetrant and periphery of opening shall be min of 1/2 in. (13 mm) to max 1-1/4 in. (32 mm). Penetrant to be rigidly supported on both sides of floor or wall assembly. The following types and sizes of penetrants may be used:
  - Flexible Steel Conduit+ — Nom 1 in. (25 mm) diam (or smaller) flexible steel conduit.  
See Flexible Metal Conduit (DXUZ) category in the Electrical Construction Material Directory for names of manufacturers.
  - Through Penetrating Product\* — Flexible Metal Piping — The following types of steel flexible metal gas piping may be used:
    - Nom 1 in. (25 mm) diam (or smaller) steel flexible metal gas piping. Plastic covering on piping may or may not be removed on both sides of floor or wall assembly.  
OMEGA FLEX INC
    - Nom 1 in. (25 mm) diam (or smaller) steel flexible metal gas piping. Plastic covering on piping may or may not be removed on both sides of floor or wall assembly.  
GASTITE, DIV OF TITFLEX
    - Nom 1 in. (25 mm) diam (or smaller) steel flexible metal gas piping. Plastic covering on piping may or may not be removed on both sides of floor or wall assembly.  
WARD MFG L L C
- Firestop System — The firestop system shall consist of the following:
  - Packing Material — Min 1 in. (25 mm) thickness of min 4.0 pcf (64 kg/m<sup>3</sup>) mineral wool batt insulation firmly packed into the opening as a permanent form. Packing material to be recessed from top surface of floor or both surfaces of wall to accommodate the required thickness of fill material.
  - Fill, Void or Cavity Materials\*—Sealant — Min 1/2 in. (13 mm) thickness of sealant applied within annular space, flush with top surface of floor or both surfaces of wall.  
HILTI CONSTRUCTION CHEMICALS, DIV OF HILTI INC — FS-ONE Sealant or FS-ONE MAX Intumescent Sealant.

\* Indicates such products shall bear the UL or cUL Certification Mark for jurisdictions employing the UL or cUL Certification (such as Canada), respectively.

+Bearing the UL Listing Mark



**Hilti Firestop Systems**

Reproduced by HILTI, Inc. Courtesy of  
Underwriters Laboratories, Inc.  
January 08, 2015