

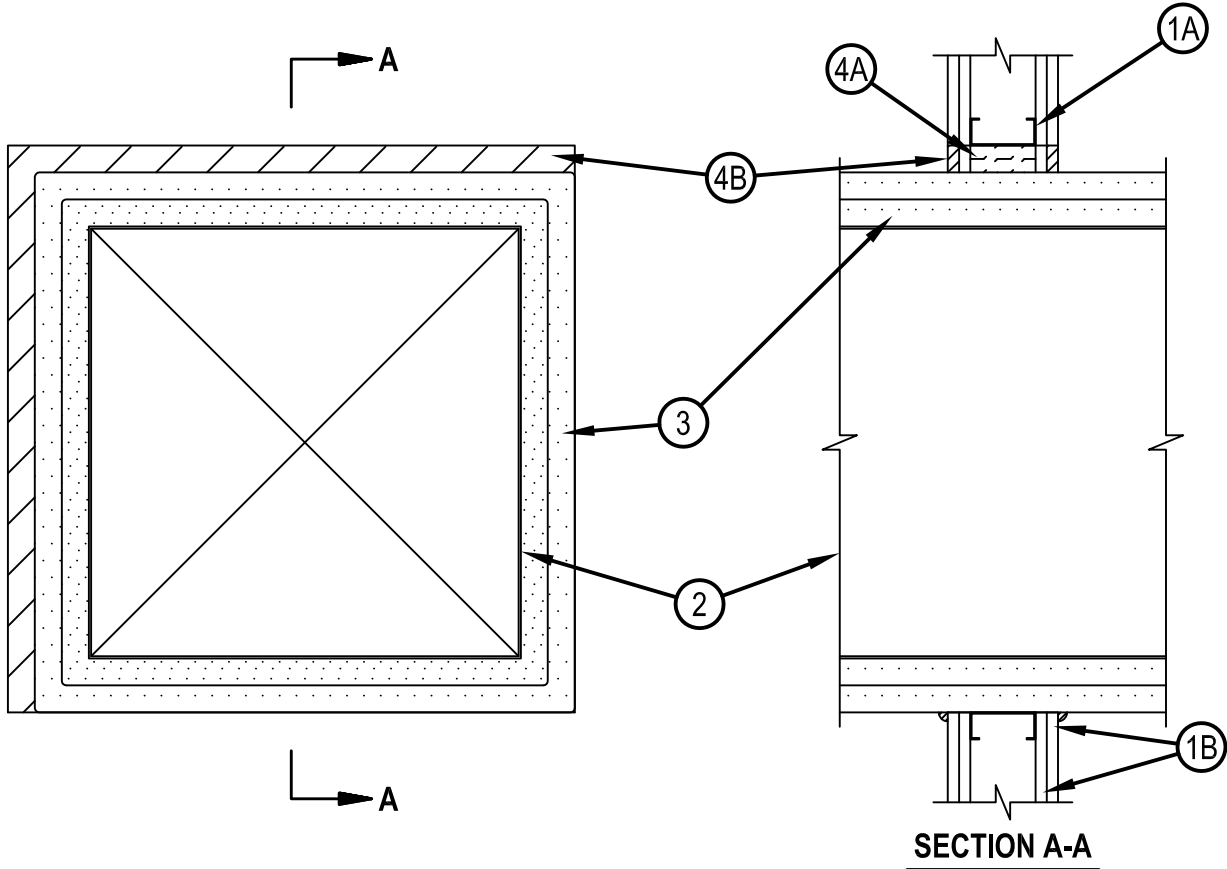


Classified by  
Underwriters Laboratories, Inc.  
to UL 1479 and CAN/ULC-S115

# System No. W-L-7157

WL 7157

ANSI/UL1479 (ASTM E814)	CAN/ULC S115
F Ratings — 1 and 2 Hr (See Item 1)	F Ratings — 1 and 2 Hr (See Item 1)
T Rating — 1 and 2 Hr (See Item 1)	FT Rating — 1 and 2 Hr (See Item 1)
	FH Ratings — 1 and 2 Hr (See Item 1)
	FTH Rating — 1 and 2 Hr (See Item 1)



1. Wall Assembly — The 1 and 2 hr fire-rated gypsum board/stud wall assembly shall be constructed of the materials and in the manner specified in the individual U400, V400, or W400 Series Wall and Partition Designs in the UL Fire Resistance Directory and shall include the following construction features:

- A. Studs — Wall framing shall consist of steel channel studs to be min 3-5/8 in. (92 mm) wide and spaced max 24 in. (610 mm) OC. Additional framing members required to completely frame opening.
- B. Gypsum Board\* — Thickness, type, number of layers and fasteners as specified in the individual Wall and Partition Design. Max size of opening is 31-1/2 in. by 31-1/2 in. (800 by 800 mm). The hourly F, FH, FTH and T Ratings of the firestop system are equal to the hourly fire rating of the wall assembly in which it is installed.

2. Steel Grease — Duct Nom 24 in. by 24 in. (610 by 610 mm) (or smaller) No. 16 (or heavier) galv steel duct to be installed either concentrically or eccentrically within the firestop system. Duct to be rigidly supported on both sides of wall assembly.



**Hilti Firestop Systems**

Reproduced by HILTI, Inc. Courtesy of  
Underwriters Laboratories, Inc.  
January 27, 2015

## System No. W-L-7157

WL 7157

3. Duct Wrap Materials\* — Min two layers of 1-1/2 in. (38 mm) thick duct wrap installed in accordance with the manufacturer's installation instructions. The annular space between the insulated duct and periphery of opening shall be min 0 in. (point contact) to max 1-1/2 in. (38 mm).

UNIFRAX I L L C — FyreWrap Duct 1.5 Insulation

4. Firestop System — The firestop system shall consist of the following:

A. Packing Material — Min 3-5/8 in. (92 mm) thickness of min 4 pcf (64 kg/m<sup>3</sup>) mineral wool batt insulation or thermal insulation from FireTemp Wrap firmly packed into opening as a permanent form. Packing material to be recessed from both surfaces of the wall to accommodate the required thickness of fill material.

B. Fill, Void or Cavity Material\* — Sealant — Min 5/8 in. (13 mm) thickness of fill material applied within the annulus, flush with both surfaces of wall assembly. At the point contact location between insulated duct and board, a min 1/2 in. (13 mm) diam bead of fill material shall be applied at the board/insulated duct interface on both sides of wall.

HILTI CONSTRUCTION CHEMICALS, DIV OF HILTI INC — FS-ONE Sealant or FS-ONE MAX Intumescent Sealant

\* Indicates such products shall bear the UL or cUL Certification Mark for jurisdictions employing the UL or cUL Certification (such as Canada), respectively.



**Hilti Firestop Systems**

Reproduced by HILTI, Inc. Courtesy of  
Underwriters Laboratories, Inc.  
January 27, 2015

Page: 2 of 2