

HILTI

DD 110-D

Operating instructions

en

Mode d'emploi

fr

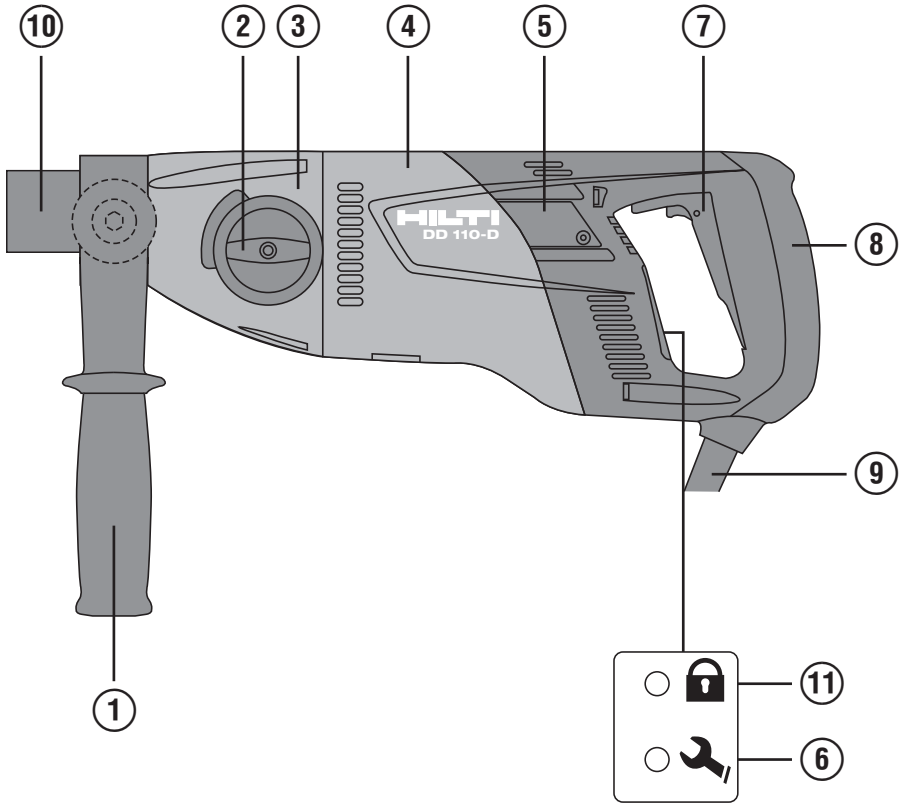
Manual de instrucciones

es

Manual de instruções

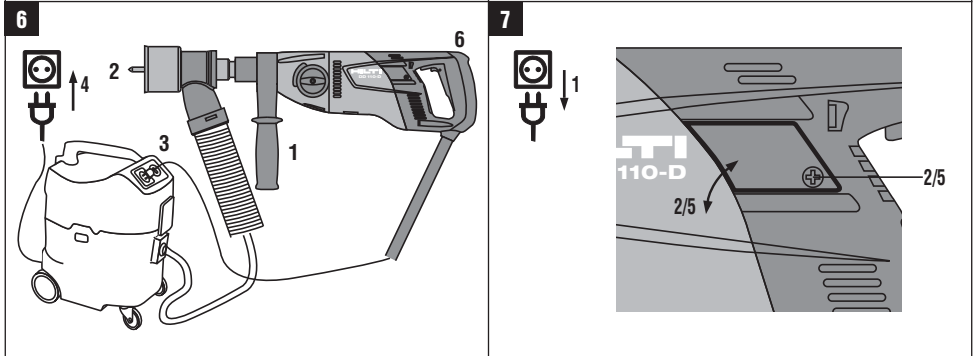
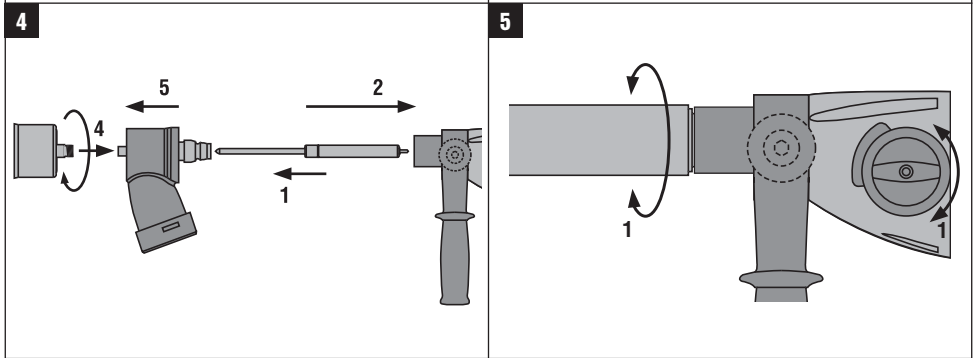
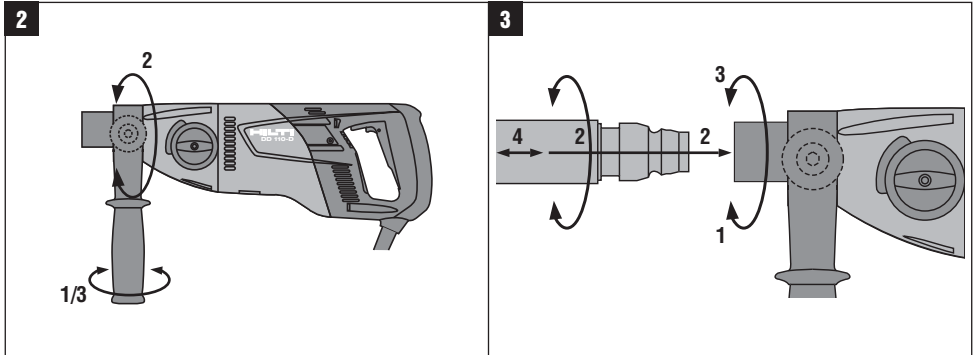
pt





This Product is Certified
Ce produit est homologué
Producto homologado por
Este producto está registrado





ORIGINAL OPERATING INSTRUCTIONS

DD 110-D diamond coring system

It is essential that the operating instructions are read before the machine is operated for the first time.

Always keep these operating instructions together with the machine.

Ensure that the operating instructions are with the machine when it is given to other persons.

Contents	Page
1 General information	1
2 Description	2
3 Accessories	3
4 Technical data	4
5 Safety instructions	4
6 Before use	7
7 Operation	8
8 Care and maintenance	10
9 Troubleshooting	11
10 Disposal	12
11 Manufacturer's warranty	12

1 These numbers refer to the corresponding illustrations. The illustrations can be found on the fold-out cover pages. Keep these pages open while studying the operating instructions.

In these operating instructions, the designation "the machine" always refers to the DD 110-D diamond core drilling machine.

Parts, operating controls and indicators **1**

DD 110-D diamond coring machine

- ① Side handle
- ② Gear selector
- ③ Gearing section
- ④ Motor
- ⑤ Carbon brush cover
- ⑥ Service indicator
- ⑦ On / off switch
- ⑧ Grip
- ⑨ Supply cord
- ⑩ Chuck
- ⑪ Optional: TPS

en

1 General information

1.1 Safety notices and their meaning

DANGER

Draws attention to imminent danger that will lead to serious bodily injury or fatality.

WARNING

Draws attention to a potentially dangerous situation that could lead to serious personal injury or fatality.

CAUTION

Draws attention to a potentially dangerous situation that could lead to slight personal injury or damage to the equipment or other property.

NOTE

Draws attention to an instruction or other useful information.

1.2 Explanation of the pictograms and other information

Warning signs



General warning



Warning: electricity



Warning: hot surface

Obligation signs



Wear eye protection.



Wear a hard hat.



Wear ear protection.



Wear protective gloves.



Wear breathing protection.



Wear safety shoes.



Read the operating instructions before use.

Symbols

RPM /min

Revolutions per minute

Revolutions per minute



Lock symbol



Equipped with theft protection system



Service indicator



Returning materials for recycling

Location of identification data on the machine

The type designation and serial number can be found on the type identification plate on the machine. Make a note of this data in your operating instructions and always refer to it when making an enquiry to your Hilti representative or service department.

Type: _____

Serial no.: _____

2 Description

2.1 Use of the product as directed

The DD 110-D is an electrically-powered hand-held diamond coring machine designed for drilling in masonry with dry-cutting diamond core bits and diamond socket cutters.

The machine is not suitable for drilling in concrete or reinforced concrete.

Drilling into flammable materials (e.g. wood, magnesium) and/or materials that produce electrically-conductive dust is not permissible.

A suitable portable dust removal system, e.g. the Hilti VCD 50 vacuum cleaner, should be used with the machine whenever possible.

To avoid injury, use only genuine Hilti core bits and DD 110-D accessories.

Observe the safety rules and operating instructions for the accessories used.

Observe the information printed in the operating instructions concerning operation, care and maintenance.

The machine is designed for professional use and may be operated, serviced and maintained only by trained, authorized personnel. This personnel must be informed of any special hazards that may be encountered. The machine and its ancillary equipment may present hazards when used incorrectly by untrained personnel or when used not as directed.

The working environment may be as follows: construction site, workshop, renovation, conversion or new construction. The machine may be operated only when connected to a power supply providing a voltage and frequency in compliance with the information given on its type identification plate.

Working on materials hazardous to the health (e.g. asbestos) is not permissible.

Modification of the machine or tampering with its parts is not permissible.

2.2 Use of the system with various items of equipment

Type of hole drilled	Core bit diameters	Drilling direction	Material
Through-holes	16...162 mm ($\frac{5}{8}$ "... $6\frac{1}{2}$ ")	All directions	Masonry (e.g. sand-lime block, brick)
Blind holes / socket cutting	16...162 mm ($\frac{5}{8}$ "... $6\frac{1}{2}$ ")	All directions	Masonry (e.g. sand-lime block, brick)

en

2.3 Gears and corresponding core bit diameters

Gear	PCM core bits	HDM core bits	Speed under no load
1	42...162 mm ($1\frac{5}{8}$ " ... $6\frac{1}{2}$ ")	102...162 mm (4" ... $6\frac{1}{2}$ ")	650/min
2		16...87 mm ($\frac{5}{8}$ " ... $3\frac{1}{2}$ ")	1,380/min

2.4 TPS theft protection system (optional)

The machine may be optionally equipped with the TPS theft protection system. If equipped with this feature, the machine can be unlocked and made ready for operation only through use of the corresponding TPS key.

2.5 The items supplied as standard include:

- 1 Power tool with side handle and chuck
- 1 Operating instructions
- 1 Hilti toolbox or cardboard box

2.6 Using extension cords

Use only extension cords of a type approved for the application and with conductors of adequate gauge.

Recommended minimum conductor cross section and max. cable lengths:

Conductor cross section	14 AWG	12 AWG
Mains voltage 110-120 V	50 ft	150 ft

Do not use extension cords with 16 AWG conductor cross section.

2.7 Using a generator or transformer

This machine may be powered by a generator or transformer when the following conditions are fulfilled: The unit must provide a power output in watts of at least twice the value printed on the type identification plate on the machine. The operating voltage must remain within +5% and -15% of the rated voltage at all times, frequency must be in the 50 – 60 Hz range and never above 65 Hz, and the unit must be equipped with automatic voltage regulation and starting boost.

NOTE

Switching other machines or appliances on and off can cause undervoltage and/or overvoltage peaks which could damage the machine. Never operate other machines from the generator/transformer at the same time.

3 Accessories

Designation	Item number, description
TPS theft protection system with company card, company remote and TPS-K key	Option
Dust removal system	315773
M16 chuck	315774
BI+ chuck	315791
BR chuck	315792

Designation	Item number, description
BT chuck	315793
Key chuck	315794
Keyless chuck	315795
M27 connection end for core bits	315805
BI+ connection end for socket cutters	315806
M27 connection end for core bits	315807
BI+ connection end for core bits	315824
Side handle	315825
Dust removal attachment with BI+ connection end for core bits	315826
Dust removal attachment with M27 connection end for core bits	315827
Dust removal attachment with BI+ connection end for socket cutters	315828
Dust removal attachment with M27 connection end for socket cutters	331621
Socket cutter hole-starting aid	281318
BI+ socket cutter hole-starting aid	209661

4 Technical data

Right of technical changes reserved.


Machine	DD 110-D
Rated voltage	120 V
Rated current input	14.1 A
Rated frequency	60 Hz
Rated speed under no load, 1st gear	650/min
Rated speed under no load, 2nd gear	1,380/min

Other information about the machine

Dimensions (L x W x H)	446 mm (17.56") x 120 mm (4.72") x 170 mm (6.69")
Weight	5.1 kg (11.24 lb)
Protection class	II

5 Safety instructions

5.1 General Power Tool Safety Warnings

- a)  **WARNING**
Read all safety warnings and instructions. Failure to follow the warnings and instructions may result in electric shock, fire and/or serious injury. **Save all warnings and instructions for future reference.** The term "power tool" in the warnings refers to your mains-operated (corded) power tool or battery-operated (cordless) power tool.

5.1.1 Work area safety

- a) **Keep work area clean and well lit.** Cluttered or dark areas invite accidents.
- b) **Do not operate power tools in explosive atmospheres, such as in the presence of flammable liquids, gases or dust.** Power tools create sparks which may ignite the dust or fumes.
- c) **Keep children and bystanders away while operating a power tool.** Distractions can cause you to lose control.

5.1.2 Electrical safety

- a) **Power tool plugs must match the outlet. Never modify the plug in any way. Do not use any adapter plugs with earthed (grounded) power tools.** Unmodified plugs and matching outlets will reduce risk of electric shock.
- b) **Avoid body contact with earthed or grounded surfaces such as pipes, radiators, ranges and refrigerators.** There is an increased risk of electric shock if your body is earthed or grounded.
- c) **Do not expose power tools to rain or wet conditions.** Water entering a power tool will increase the risk of electric shock.
- d) **Do not abuse the cord. Never use the cord for carrying, pulling or unplugging the power tool. Keep cord away from heat, oil, sharp edges or moving parts.** Damaged or entangled cords increase the risk of electric shock.
- e) **When operating a power tool outdoors, use an extension cord suitable for outdoor use.** Use of a cord suitable for outdoor use reduces the risk of electric shock.
- f) **If operating a power tool in a damp location is unavoidable, use a residual current device (RCD) protected supply.** Use of an RCD reduces the risk of electric shock.

5.1.3 Personal safety

- a) **Stay alert, watch what you are doing and use common sense when operating a power tool. Do not use a power tool while you are tired or under the influence of drugs, alcohol or medication.** A moment of inattention while operating power tools may result in serious personal injury.
- b) **Use personal protective equipment. Always wear eye protection.** Protective equipment such as dust mask, non-skid safety shoes, hard hat, or hearing protection used for appropriate conditions will reduce personal injuries.
- c) **Prevent unintentional starting. Ensure the switch is in the off-position before connecting to power source and/or battery pack, picking up or carrying the tool.** Carrying power tools with your finger on the switch or energising power tools that have the switch on invites accidents.
- d) **Remove any adjusting key or wrench before turning the power tool on.** A wrench or a key left attached to a rotating part of the power tool may result in personal injury.
- e) **Do not overreach. Keep proper footing and balance at all times.** This enables better control of the power tool in unexpected situations.
- f) **Dress properly. Do not wear loose clothing or jewellery. Keep your hair, clothing and gloves away from moving parts.** Loose clothes, jewellery or long hair can be caught in moving parts.
- g) **If devices are provided for the connection of dust extraction and collection facilities, ensure these are connected and properly used.** Use of dust collection can reduce dust-related hazards.

5.1.4 Power tool use and care

- a) **Do not force the power tool. Use the correct power tool for your application.** The correct power tool will do the job better and safer at the rate for which it was designed.
- b) **Do not use the power tool if the switch does not turn it on and off.** Any power tool that cannot be controlled with the switch is dangerous and must be repaired.
- c) **Disconnect the plug from the power source and/or the battery pack from the power tool before making any adjustments, changing accessories, or storing power tools.** Such preventive safety measures reduce the risk of starting the power tool accidentally.
- d) **Store idle power tools out of the reach of children and do not allow persons unfamiliar with the power tool or these instructions to operate the power tool.** Power tools are dangerous in the hands of untrained users.
- e) **Maintain power tools. Check for misalignment or binding of moving parts, breakage of parts and any other condition that may affect the power tool's operation. If damaged, have the power tool repaired before use.** Many accidents are caused by poorly maintained power tools.
- f) **Keep cutting tools sharp and clean.** Properly maintained cutting tools with sharp cutting edges are less likely to bind and are easier to control.
- g) **Use the power tool, accessories and tool bits etc. in accordance with these instructions, taking into account the working conditions and the work to be performed.** Use of the power tool for operations different from those intended could result in a hazardous situation.

5.1.5 Service

- a) **Have your power tool serviced by a qualified repair person using only identical replacement parts.** This will ensure that the safety of the power tool is maintained.

5.2 Drill safety warnings

- a) **Wear ear protectors when impact drilling.** Exposure to noise can cause hearing loss.
- b) **Use auxiliary handle(s), if supplied with the tool.** Loss of control can cause personal injury.
- c) **Hold power tool by insulated gripping surfaces, when performing an operation where the cutting accessory may contact hidden wiring or its own cord.** Cutting accessory contacting a "live" wire may make exposed metal parts of the power tool "live" and could give the operator an electric shock.

5.3 Additional safety rules

5.3.1 Personal safety

- a) **Keep the grips dry, clean and free from oil and grease.**

- b) **Respiratory protection must be worn if the machine is used without a dust extraction system for work that creates dust.**
- c) **Improve the blood circulation in your fingers by relaxing your hands and exercising your fingers during breaks between working.**
- d) **Avoid touching rotating parts. Switch the power tool on only after bringing it into position at the workpiece.** Touching rotating parts, especially rotating drill bits, discs or blades, etc. may lead to injury.
- e) **When working, always lead the supply cord, the extension cord and the vacuum cleaner hose (if applicable) away from the machine to the rear.** This will reduce the risk of tripping and falling over the cord or hose while working.
- f) **Children must be instructed not to play with the machine.**
- g) **The machine is not intended for use by children, by debilitated persons or those who have received no instruction or training.**

5.3.2 Power tool use and care

- a) **Secure the workpiece. Use clamps or a vice to secure the workpiece.** The workpiece is thus held more securely than by hand and both hands remain free to operate the machine.
- b) **Check that the core bits used are compatible with the chuck system and that they are secured in the chuck correctly.**
- c) **Switch the machine off and unplug the supply cord in the event of a power failure or interruption in the electric supply.** This will prevent accidental restarting when the electric power returns.

5.3.3 Electrical safety



- a) **Before beginning work, check the working area (e.g. using a metal detector) to ensure that no concealed electric cables or gas and water pipes are present.** External metal parts of the machine may become live, for example, when an electric cable is damaged accidentally. This presents a serious risk of electric shock.
- b) **Check the machine's supply cord at regular intervals and have it replaced by a qualified specialist if found to be damaged. If the machine's supply cord is damaged it must be replaced with a special approved, ready-made supply cord available from Hilti Customer Service. Check extension cords at regular intervals and replace them if found to be damaged. Do not touch the supply cord or extension cord if damaged while working. Unplug the**

supply cord from the power outlet. Damaged supply cords or extension cords present a risk of electric shock.

- c) **When working outdoors with a power tool check to ensure that the tool is connected to the electric supply by way of a ground fault circuit interrupter (GFCI) with a rating of max. 30 mA (tripping current).** Use of a ground fault circuit interrupter reduces the risk of electric shock.
- d) **Use of a ground fault circuit interrupter (GFCI) with a maximum tripping current of 30 mA is recommended.**

5.3.4 Work area

- a) **Ensure that the workplace is well ventilated.** Exposure to dust at a poorly ventilated workplace may result in damage to the health.
- b) **Connect a dust removal system if the work creates dust. Drilling in materials hazardous to the health (e.g. asbestos) is not permissible.**
- c) **WARNING: Some dust created by grinding, sanding, cutting and drilling contains chemicals known to cause cancer, birth defects, infertility or other reproductive harm; or serious and permanent respiratory or other injury.** Some examples of these chemicals are: lead from lead-based paints, crystalline silica from bricks, concrete and other masonry products and natural stone, arsenic and chromium from chemically-treated lumber. Your risk from these exposures varies, depending on how often you do this type of work. **To reduce exposure to these chemicals, the operator and bystanders should work in a well-ventilated area, work with approved safety equipment, such as respiratory protection appropriate for the type of dust generated, and designed to filter out microscopic particles and direct dust away from the face and body. Avoid prolonged contact with dust. Wear protective clothing and wash exposed areas with soap and water.** Allowing dust to get into your mouth, nose, eyes, or to remain on your skin may promote absorption of harmful chemicals.

5.3.5 Personal protective equipment



The operator and bystanders must wear ANSI Z87.1 approved protective glasses, a hard hat, ear protectors, protective gloves and safety footwear while the machine is in use. Respiratory protection must be worn if the work creates dust.

6 Before use



CAUTION

The mains voltage must comply with the specification given on the type identification plate. Ensure that the power tool is disconnected from the electric supply.

DANGER

When drilling through walls, cover the area behind the wall, as material or the core may fall out on the other side of the wall. When drilling through ceilings, secure (cover) the area below as drilled material or the core may drop out and fall down.

CAUTION

Do not transport the machine while it is connected to the electric supply. Disconnect the supply cord plug from the power outlet.

6.1 Positioning the side handle 2

CAUTION

Disconnect the supply cord plug from the power outlet.

1. Release the side handle clamping band by turning the handle counterclockwise.
2. Pivot the side handle into the desired position.
3. Secure the side handle by turning the grip clockwise.

6.2 Fitting the diamond core bit 3



DANGER

Do not use damaged core bits. Check the core bits for chipping, cracks, or heavy wear each time before use. Do not use damaged tools. Fragments of the workpiece or a broken core bit may be ejected and cause injury beyond the immediate area of operation.

NOTE

Diamond core bits must be replaced when the cutting performance and/or rate of drilling progress drops significantly. This generally is the case when the segments reach a height of less than $\frac{1}{16}$ ".

CAUTION

To avoid injury, use only genuine Hilti core bits and DD 110-D accessories. If using a machine with a BI+ chuck, only genuine Hilti core bits may be used with it.

CAUTION

The core bit may get hot during use or during sharpening. There is a risk of burning your hands. Wear protective gloves when changing the core bit.

CAUTION

Disconnect the supply cord plug from the power outlet.

CAUTION

Check that the hole-starting aid is securely positioned in the core bit.

CAUTION

When using the hole-starting aid, allow the machine to run only when the hole-starting aid is in contact with the working surface.

NOTE

The BR, BT, M16 and M27 chucks require use of a suitable open-end wrench.

The chuck, the adapter and the cutting tool must be clean and free of dirt and dust.

1. Open the chuck (BI+) by turning it in the direction of the open brackets symbol.
2. Push the diamond core bit into the chuck (BI+) from the front, turning the core bit until the teeth in the chuck engage with the core bit.
3. Close the chuck (BI+) by turning it in the direction of the closed brackets symbol.
4. Check that the diamond core bit is securely mounted in the chuck by pulling on the core bit and attempting to move it from side to side.

6.3 Fitting the dust removal attachment (optional)

6.3.1 Socket cutter 4

1. Push the hole-starting aid, point first, as far as it will go, into the connection end for socket cutters with dust removal.
2. Fit the connection end into the chuck in accordance with the instructions for fitting a diamond core bit.
3. Push the locking ring and the dust removal attachment back toward the power tool.
4. Fit the socket cutter onto the connection end.
5. Push the dust removal attachment forward until it is in contact with the socket cutter and then secure it in this position by sliding the locking ring toward the socket cutter.
6. Check that the dust removal unit is free to rotate relative to the power tool.

6.3.2 Core bit

1. Fit the connection end for core bits with dust removal into the chuck in accordance with the instructions for fitting a diamond core bit.
2. Fit the core bit onto the connection end.

6.4 Selecting the speed 5

CAUTION

Do not change gear while the machine is running. Wait for the spindle to come to a halt.

Set the selector switch according to the core bit diameter used. Turn the selector switch to the recommended setting (see section "Description") while rotating the core bit by hand.

6.5 Removing the diamond core bit



CAUTION

The core bit may get hot during use or during sharpening. There is a risk of burning your hands. **Wear protective gloves when changing the core bit.**

CAUTION

Disconnect the supply cord plug from the power outlet.

NOTE

If using a BR, BT, M27 or M16 chuck, prevent rotation of the chuck and use a suitable open-end wrench to remove the core bit.

1. Open the chuck (BI+) by turning it in the direction of the open brackets symbol.
2. Pull the sleeve on the chuck in the direction of the arrow towards the machine. This releases the core bit.
3. Remove the core bit.

7 Operation



WARNING

Make sure that the supply cord and hoses do not come into contact with rotating parts.

DANGER

When working with slotted core bits, take care to keep your fingers out of the slots.

CAUTION

The machine and the drilling operation generate noise. **Wear ear protectors.** Excessive noise may damage the hearing.

CAUTION

Drilling may cause hazardous flying fragments. Flying fragments present a risk of injury to the eyes and body. **Wear eye protection and a hard hat.**

WARNING

In accordance with the applications for which it is designed, the machine produces a high torque. **Always use the side handle and hold the machine with both hands.** The user must be prepared for sudden sticking and stalling of the cutting tool.

DANGER

The operator must be prepared for sudden sticking and stalling of the cutting tool and must therefore have an absolutely secure stance with both feet.

7.1 TPS theft protection system (optional)

NOTE

The machine may be equipped with the optional theft protection system. If the machine is equipped with this feature, it can be unlocked and made ready for operation only with the corresponding TPS key.

7.1.1 Unlocking the machine

1. Check that the machine is connected to the electric supply. The yellow theft protection indicator LED blinks. The machine is now ready to receive the signal from the TPS key.

2. Hold the TPS key or the TPS watch strap buckle against the lock symbol. The machine is unlocked as soon as the yellow theft protection indicator LED no longer lights.

NOTE If, for example, the electric supply is briefly interrupted due to a power failure or disconnected when moving to a different workplace, the machine remains ready for operation for approx. 20 minutes. In the event of a longer interruption, the TPS key must be used again to unlock the machine.

7.1.2 Activation of the theft protection system for the machine

NOTE

Further information on activation and use of the theft protection system can be found in the operating instructions for the theft protection system.

7.2 Working with a dust removal system

CAUTION

When working, always lead the vacuum cleaner hose away to the rear of the machine so that it cannot come into contact with the core bit.

CAUTION

Please read the operating instructions for the vacuum cleaner for information about disposal of the material collected.

NOTE

To avoid electrostatic effects, use an anti-static vacuum cleaner.

7.2.1 Vacuum cleaner with power outlet for power tools

CAUTION

Do not use slotted core bits when working with a dust removal system.

NOTE

The optional operations are to be carried out when the two-part hole starting aid is used.

1. Secure the side handle in the desired position.
2. Fit the hole-starting aid (optional operation).
3. Plug the machine's supply cord into the power outlet on the vacuum cleaner.
4. Plug the vacuum cleaner's supply cord into the power outlet.
5. Position the machine at the point where the hole is to be drilled (hole center).
6. Press the on / off switch on the power tool.

NOTE The vacuum cleaner starts with a delay after the power tool is switched on. After switching the power tool off, the vacuum cleaner continues to run for a short time before switching itself off.

7. When beginning drilling, apply only light pressure until the core bit has centered itself and then increase the pressure. Drill to a depth of 3-5 mm to form a guide kerf (optional operation).

8. Switch the machine off by releasing the on / off switch and then wait until the core bit has stopped rotating (optional operation).
9. Remove the hole-starting aid from the core bit (optional operation).
10. Position the core bit in the guide kerf and then press the on / off switch to continue drilling (optional operation).

7.2.2 Vacuum cleaner without power outlet for power tools

CAUTION

Do not use slotted core bits when working with a dust removal system.

NOTE

The optional operations are to be carried out when the two-part hole starting aid is used.

1. Secure the side handle in the desired position.
2. Fit the hole-starting aid (optional operation).
3. Plug the vacuum cleaner's supply cord into the power outlet and switch the vacuum cleaner on.
4. Plug the machine's supply cord into the power outlet.
5. Press the on / off switch on the power tool.
6. When beginning drilling, apply only light pressure until the core bit has centered itself and then increase the pressure. Drill to a depth of 3-5 mm to form a guide kerf (optional operation).
7. Switch the machine off by releasing the on / off switch and then wait until the core bit has stopped rotating (optional operation).
8. Remove the hole-starting aid from the core bit (optional operation).
9. Position the core bit in the guide kerf and then press the on / off switch to continue drilling (optional operation).
10. Allow the vacuum cleaner to run for a few seconds after switching off the machine in order to ensure that the remaining dust is removed.

7.3 Working without dust removal



NOTE

Use slotted core bits when drilling without a dust removal system.

NOTE

Remove the dust removal attachment or secure it to prevent rotation.

NOTE

The optional operations are to be carried out when the two-part hole starting aid is used.

CAUTION

Unplug the supply cord from the power outlet before removing the core.

DANGER

Wear respiratory protection.

NOTE

Dust is released in all directions. Drilling, especially overhead drilling, without a dust removal system is very unpleasant and optimum performance is not achieved. Overhead drilling without use of dust removal system is therefore not recommended. For dry coring it is recommended that the dust removal attachment and a suitable vacuum cleaner are always used.

1. Secure the side handle in the desired position.
2. Fit the hole-starting aid (optional operation).
3. Plug the supply cord into the power outlet.
4. Position the machine at the point where the hole is to be drilled (hole center).
5. Press the on / off switch on the power tool.
6. When beginning drilling, apply only light pressure until the core bit has centered itself and then increase the pressure. Drill to a depth of 3-5 mm to form a guide kerf (optional operation).
7. Switch the machine off by releasing the on / off switch and then wait until the core bit has stopped rotating (optional operation).
8. Remove the hole-starting aid from the core bit (optional operation).
9. Position the core bit in the guide kerf and then press the on / off switch to continue drilling (optional operation).

7.4 Switching off and dismantling the system



CAUTION

Wear protective gloves when changing cutting tools as they get hot during use.

8 Care and maintenance

CAUTION

Disconnect the supply cord plug from the power outlet.

8.1 Care of cutting tools and metal parts

Remove any dirt adhering to the surface of cutting tools, the chuck and drive spindle and protect their surfaces from corrosion by rubbing them with an oily cloth from time to time.

Always keep the connection end clean and lightly greased.

CAUTION

The core bit will be full of dust and drilled-out material. **Work from a secure stance and make sure you are ready to support the additional weight of the drilled-out material.**

NOTE

The power tool should preferably be transported in the Hiiti toolbox.

1. Release the on / off switch on the power tool and slowly pull the core bit out of the hole.
2. Switch off the vacuum cleaner if you are using one.
3. Check that the machine is disconnected from the electric supply.
4. Remove the core if necessary.
5. Remove the core bit.

7.5 Procedure in the event of the core bit sticking

In the event of the core bit sticking, the clutch will slip until the user switches the power tool off. The core bit can be released by taking the following action:

7.5.1 Using an open-end wrench to release the core bit

1. Disconnect the supply cord plug from the power outlet.
2. Grip the core bit with a suitable open-end wrench close to the connection end and release the core bit by rotating it.
3. Plug the machine's supply cord into the power outlet.
4. Resume the drilling operation.

7.6 Transport

CAUTION

Check that the machine is disconnected from the electric supply.

NOTE

Store and transport the power tool in its toolbox when possible.

8.2 Care of the machine

CAUTION

Keep the machine, especially its grip surfaces, clean and free from oil and grease. Do not use cleaning agents which contain silicone.

Never operate the machine when the ventilation slots are blocked. Clean the ventilation slots carefully using a dry brush. Do not permit foreign objects to enter the interior of the machine. Clean the outside of the machine at regular intervals with a slightly damp cloth. Do not use a spray,

steam pressure cleaning equipment or running water for cleaning. This may negatively affect the electrical safety of the machine.

8.3 Maintenance

WARNING

Repairs to the electrical section of the machine may be carried out only by trained electrical specialists.

Check all external parts of the power tool for damage at regular intervals and check that all controls operate faultlessly. Do not operate the power tool if parts are damaged or when the controls do not function faultlessly. If necessary, the power tool should be repaired by Hilti Service.

8.4 Replacing the carbon brushes 7

NOTE

The indicator lamp with the wrench symbol lights up when the carbon brushes need to be replaced.

DANGER

The machine may be operated, serviced and repaired only by trained, authorized personnel. This personnel must be specially informed of any possible hazards.

Failure to observe the following instructions may result in contact with dangerous electric voltage.

1. Disconnect the machine from the electric supply.
2. Open the carbon brush covers on the left-hand and right-hand side of the motor.
3. Take note of how the carbon brushes are fitted and how the conductors are positioned. Remove the worn carbon brushes from the machine.
4. Fit the new carbon brushes just as the old ones were fitted (spare part numbers: carbon brushes AO ML 100-127 V: 39577).

NOTE Take care to avoid damaging the insulation on the indicator lead as you insert the brushes.

5. Close the carbon brush covers on the left-hand and right-hand side of the motor and tighten the retaining screws.

NOTE Once the carbon brushes have been replaced, the indicator lamp no longer lights when the machine is reconnected to the electric supply.

8.5 Checking the power tool after care and maintenance

After carrying out care and maintenance, check that all protective and safety devices are fitted and that they function faultlessly.

9 Troubleshooting

Fault	Possible cause	Remedy
The machine doesn't start.	Interruption in the electric supply.	Plug in another electric appliance and check whether it works. Check the plug connections, cables and the electric supply.
	Carbon brush automatic cut-out activated.	Replace the carbon brushes. See section: 8.4 Replacing the carbon brushes 7
	On/off switch defective.	The machine should be repaired by Hilti Service.
	Interruption in the electric supply.	Check the supply cord and vacuum cleaner (if applicable), the extension cord and supply cord plug, and have them replaced by a qualified electrician if necessary.
	The electronics are defective.	The machine should be repaired by Hilti Service.
The machine doesn't start and the service indicator lights.	The carbon brushes are worn.	Replace the carbon brushes. See section: 8.4 Replacing the carbon brushes 7
The machine doesn't start, carbon brushes have been changed, service indicator lights.	A fault has occurred in the power tool.	If necessary, the power tool should be repaired by Hilti Service.
The service indicator lights.	The carbon brushes are worn; the machine will continue to run for a few hours.	The carbon brushes should be changed. See section: 8.4 Replacing the carbon brushes 7

Fault	Possible cause	Remedy
The service indicator blinks.	Motor speed error.	Have the appliance repaired by Hilti Service.
The machine doesn't start, theft protection indicator blinks yellow.	The power tool has not been unlocked (tools with optional theft protection system).	Use the TPS key to unlock the power tool.
The motor runs. The diamond core bit doesn't rotate.	Gear selector doesn't engage.	Move the gear selector until felt to engage.
	The gearing is defective.	The machine should be repaired by Hilti Service.
The rate of drilling progress decreases.	The diamond core bit is polished.	Sharpen the core bit by drilling into a sharpening plate.
	The diamond core bit is polished.	The wrong type of core bit has been used. Seek advice from Hilti.
	The core is stuck in the core bit.	Remove the core.
	Maximum drilling depth is reached.	Remove the core and use a core bit extension.
	The diamond core bit is damaged.	Check the diamond core bit for damage and replace it if necessary.
	The slip clutch is disengaging prematurely or slipping.	The machine should be repaired by Hilti Service.
	Drilling progress is prevented by an accumulation of dust.	Use a suitable vacuum cleaner.
The diamond core bit cannot be fitted into the chuck.	The core bit connection end or chuck is dirty or damaged.	Clean the connection end /chuck or replace if necessary.
Excessive play in the drilling system.	The core bit is not screwed securely into the chuck.	Tighten it securely.
	The core bit connection end is defective.	Check the connection end and replace it if necessary.

10 Disposal



Most of the materials from which Hilti machines or appliances are manufactured can be recycled. The materials must be correctly separated before they can be recycled. In many countries, Hilti has already made arrangements for taking back old machines and appliances for recycling. Ask Hilti customer service or your Hilti representative for further information.

11 Manufacturer's warranty

Please contact your local Hilti representative if you have questions about the warranty conditions.

DD 110-D Carotteuse diamant

Avant de mettre l'appareil en marche, lire impérativement son mode d'emploi et bien respecter les consignes.

Le présent mode d'emploi doit toujours accompagner l'appareil.

Ne pas prêter ou céder l'appareil à un autre utilisateur sans lui fournir le mode d'emploi.

Sommaire	Page
1 Consignes générales	13
2 Description	14
3 Accessoires	16
4 Caractéristiques techniques	16
5 Consignes de sécurité	17
6 Mise en service	19
7 Utilisation	21
8 Nettoyage et entretien	23
9 Guide de dépannage	24
10 Recyclage	25
11 Garantie constructeur des appareils	25

1 Les chiffres renvoient aux illustrations respectives. Les illustrations qui se rapportent au texte se trouvent sur les pages rabattables. Pour lire le mode d'emploi, rabattre ces pages de manière à voir les illustrations.

Dans le texte du présent mode d'emploi, le terme « appareil » désigne toujours la carotteuse diamant DD 110-D.

Pièces constitutives de l'appareil, éléments de commande et d'affichage 1

Carotteuse diamant DD 110-D

- ① Poignée latérale
- ② Variateur de vitesse
- ③ Réducteur
- ④ Moteur
- ⑤ Couvercle de balais de charbon
- ⑥ Indicateur de maintenance
- ⑦ Interrupteur Marche / Arrêt
- ⑧ Poignée
- ⑨ Câble d'alimentation réseau
- ⑩ Porte-outil
- ⑪ Équipement spécial : TPS

1 Consignes générales

1.1 Termes signalant un danger et leur signification

DANGER

Pour un danger imminent qui peut entraîner de graves blessures corporelles ou la mort.

AVERTISSEMENT

Pour attirer l'attention sur une situation pouvant présenter des dangers susceptibles d'entraîner des blessures corporelles graves ou la mort.

ATTENTION

Pour attirer l'attention sur une situation pouvant présenter des dangers susceptibles d'entraîner des blessures corporelles légères ou des dégâts matériels.

REMARQUE

Pour des conseils d'utilisation et autres informations utiles.

1.2 Explication des pictogrammes et autres symboles d'avertissement

Symboles d'avertissement



Avertissement danger général



Avertissement tension électrique dangereuse



Avertissement surfaces chaudes

Symboles d'obligation



Porter des lunettes de protection



Porter un casque de protection



Porter un casque antibruit



Porter des gants de protection



Porter un masque respiratoire léger



Porter des chaussures de protection



Lire le mode d'emploi avant d'utiliser l'appareil

Symboles

RPM /min

Tours par minute

Tours par minute



Symbole de cadenas



Remarque concernant la protection contre le vol



Indicateur de maintenance



Recyclage des matériaux

Emplacement des détails d'identification sur l'appareil

La désignation du modèle et le numéro de série se trouvent sur la plaque signalétique de l'appareil. Inscrive ces renseignements dans le mode d'emploi et toujours s'y référer pour communiquer avec notre représentant ou agence Hilti.

Type :

N° de série :

2 Description

2.1 Utilisation conforme à l'usage prévu

La carotteuse DD 110-D est un appareil de forage diamant électroportatif, destiné au forage manuel guidé à sec dans la maçonnerie, au moyen de couronnes de forage diamantées et de couronnes pour percement de boîtiers.

Cet appareil n'est pas conçu pour forer dans du béton ou du béton armé.

Il n'est pas permis de forer dans des matériaux qui génèrent des poussières conductrices et/ou inflammables (tels que du bois, du magnésium).

Utiliser autant que possible pour chaque application un dispositif d'aspiration de la poussière mobile approprié, par ex. l'aspirateur Hilti VCD 50.

Pour éviter tout risque de blessure, utiliser uniquement des couronnes diamantées Hilti et accessoires DD 110-D d'origine.

Respecter également les instructions de sécurité et d'utilisation de l'accessoire utilisé.

Bien respecter les consignes concernant l'utilisation, le nettoyage et l'entretien de l'appareil qui figurent dans le présent mode d'emploi.

L'appareil est destiné aux utilisateurs professionnels et ne doit être utilisé, entretenu et réparé que par un personnel agréé, formé à cet effet. Ce personnel doit être au courant des dangers inhérents à l'utilisation de l'appareil. L'appareil et ses accessoires peuvent s'avérer dangereux s'ils sont utilisés de manière incorrecte par un personnel non qualifié ou de manière non conforme à l'usage prévu.

L'environnement de travail peut être : chantiers, ateliers, sites de rénovation, sites de constructions nouvelles ou de constructions en cours de réaménagement.

L'appareil ne doit fonctionner qu'avec la tension réseau et la fréquence réseau indiquées sur la plaque signalétique.

Ne pas travailler sur des matériaux susceptibles de nuire à la santé (par ex. amiante).

Toute manipulation ou modification de l'appareil est interdite.

2.2 Application des différents équipements

Types de forage DD 110-D	Couronnes diamantées \varnothing	Sens de forage	Matériau support
Forages traversants	16...162 mm ($\frac{5}{8}$ "...6 $\frac{1}{2}$ ")	Tous les sens	Maçonnerie (par ex. brique silico-calcaire, brique cuite)
Forages non traversants / pour percement de boîtiers	16...162 mm ($\frac{5}{8}$ "...6 $\frac{1}{2}$ ")	Tous les sens	Maçonnerie (par ex. brique silico-calcaire, brique cuite)

fr

2.3 Table des vitesses et diamètres de couronne de forage correspondants

Vitesse	Couronnes diamantées PCM	Couronnes diamantées HDM	Vitesse de rotation à vide
1	42...162 mm (1 $\frac{5}{8}$ " ... 6 $\frac{1}{2}$ ")	102...162 mm (4" ... 6 $\frac{1}{2}$ ")	650/min
2		16...87 mm ($\frac{5}{8}$ " ... 3 $\frac{1}{2}$ ")	1.380/min

2.4 Protection contre le vol TPS (en option)

L'appareil peut, en option, être équipé de la fonction "Protection contre le vol TPS". Si l'appareil est équipé avec cette fonction, il peut uniquement être débloqué et activé à l'aide de la clé de déblocage fournie.

2.5 La livraison de l'équipement standard comprend :

- 1 Appareil avec poignée latérale et porte-outil
- 1 Mode d'emploi
- 1 Coffret Hilti ou emballage en carton

2.6 Utilisation de câbles de rallonge

Utiliser uniquement des câbles de rallonge homologués pour le champ d'action correspondant et de section suffisante. **Section minimale recommandée et longueurs de câble maximales :**

Section du conducteur	14 AWG	12 AWG
Tension du secteur 110-120 V	50 ft	150 ft

Ne pas utiliser de câble de rallonge d'une section de conducteur de 16 AWG.

2.7 Utilisation d'un générateur ou d'un transformateur

Cet appareil peut être alimenté par un générateur ou un transformateur (non fourni), si les conditions suivantes sont respectées : une puissance d'alimentation en watts au moins égale au double de la puissance indiquée sur la plaque signalétique de l'appareil, la tension de service doit être toujours comprise entre +5 % et -15 % par rapport à la tension nominale, la fréquence doit être comprise entre 50 et 60 Hz sans jamais dépasser 65 Hz, et enfin, un régulateur de tension automatique avec système d'amplification au démarrage doit être présent.

REMARQUE

La mise en marche ou à l'arrêt d'autres appareils peut entraîner des pointes de sous-tension et / ou de surtension pouvant endommager l'appareil. Ne jamais faire fonctionner d'autres appareils simultanément sur le générateur / transformateur.

3 Accessoires

Désignation	Code article, Description
Protection contre le vol TPS (Theft Protection System) avec Company Card, Company Remote et clé de déblocage TPS-K	En option
Dispositif d'aspiration de la poussière	315773
Porte-outil M16	315774
Porte-outil BI+	315791
Porte-outil BR	315792
Porte-outil BT	315793
Mandrin à couronne dentée	315794
Mandrin à serrage rapide	315795
Emmanchement M27 pour couronnes pour percement de boîtiers	315805
Emmanchement BI+ pour couronnes pour percement de boîtiers	315806
Emmanchement M27 pour couronnes diamantées	315807
Emmanchement BI+ pour couronnes diamantées	315824
Poignée latérale	315825
Dispositif d'aspiration de poussière avec emmanchement BI+ pour couronnes diamantées	315826
Dispositif d'aspiration de poussière avec emmanchement M27 pour couronnes diamantées	315827
Dispositif d'aspiration de poussière avec emmanchement BI+ pour couronnes pour percement de boîtiers	315828
Dispositif d'aspiration de poussière avec emmanchement M27 pour couronnes pour percement de boîtiers	331621
Amorce de forage Couronne pour percement de boîtiers	281318
Amorce de forage Couronne pour percement de boîtiers BI+	209661

4 Caractéristiques techniques

Sous réserve de modifications techniques !

Appareil	DD 110-D
Tension nominale	120 V
Courant nominal	14,1 A
Fréquence de référence	60 Hz
Vitesse de rotation à vide de référence 1ère vitesse	650/min
Vitesse de rotation à vide de référence 2ème vitesse	1.380/min

Informations concernant les appareils et les applications

Dimensions (L x l x h)	446 mm (17,56 ") x 120 mm (4,72 ") x 170 mm (6,69 ")
Poids	5,1 kg (11,24 lb)
Classe de protection	II

5 Consignes de sécurité

5.1 Indications générales de sécurité pour les appareils électriques

a) AVERTISSEMENT

Lire et comprendre toutes les consignes de sécurité et instructions. Le non-respect des consignes de sécurité et instructions indiquées ci-après peut entraîner un choc électrique, un incendie et / ou de graves blessures sur les personnes. **Les consignes de sécurité et instructions doivent être intégralement conservées pour les utilisations futures.** La notion d'« outil électroportatif » mentionnée dans les consignes de sécurité se rapporte à des outils électriques raccordés au secteur (avec câble de raccordement) et à des outils électriques à batterie (sans câble de raccordement).

5.1.1 Sécurité sur le lieu de travail

- a) **Maintenez l'endroit de travail propre et bien éclairé.** Un lieu de travail en désordre ou mal éclairé augmente le risque d'accidents.
- b) **N'utilisez pas l'outil électroportatif dans un environnement présentant des risques d'explosion et où se trouvent des liquides, des gaz ou poussières inflammables.** Les outils électroportatifs génèrent des étincelles risquant d'enflammer les poussières ou les vapeurs.
- c) **Tenez les enfants et autres personnes éloignés durant l'utilisation de l'outil électroportatif.** En cas d'inattention vous risquez de perdre le contrôle de l'appareil.

5.1.2 Sécurité relative au système électrique

- a) **La fiche de secteur de l'outil électroportatif doit être appropriée à la prise de courant. Ne modifiez en aucun cas la fiche. N'utilisez pas de fiches d'adaptateur avec des outils électroportatifs avec mise à la terre.** Les fiches non modifiées et les prises de courant appropriées réduisent le risque de choc électrique.
- b) **Éviter le contact physique avec des surfaces mises à la terre tels que tuyaux, radiateurs, cuisinières et réfrigérateurs.** Il y a un risque élevé de choc électrique au cas où votre corps serait relié à la terre.
- c) **N'exposez pas les outils électroportatifs à la pluie ou à l'humidité.** La pénétration d'eau dans un outil électroportatif augmente le risque d'un choc électrique.
- d) **N'utilisez pas le câble à d'autres fins que celles prévues, n'utilisez pas le câble pour porter l'outil électroportatif ou pour l'accrocher ou encore pour le débrancher de la prise de courant. Maintenez le câble éloigné des sources de chaleur, des parties grasses, des bords tranchants ou des parties de l'appareil en rotation.** Un câble endommagé ou torsadé augmente le risque d'un choc électrique.

- e) **Au cas où vous utiliseriez l'outil électroportatif à l'extérieur, utilisez uniquement une rallonge homologuée pour les applications extérieures.** L'utilisation d'une rallonge électrique homologuée pour les applications extérieures réduit le risque d'un choc électrique.
- f) **Si l'utilisation de l'outil électroportatif dans un environnement humide ne peut pas être évitée, un interrupteur de protection contre les courants de court-circuit doit être utilisé.** L'utilisation d'un tel interrupteur de protection réduit le risque d'une décharge électrique.

5.1.3 Sécurité des personnes

- a) **Restez vigilant, surveillez ce que vous faites. Faites preuve de bon sens en utilisant l'outil électroportatif. N'utilisez pas l'outil électroportatif lorsque vous êtes fatigué ou après avoir consommé de l'alcool, des drogues ou avoir pris des médicaments.** Un moment d'inattention lors de l'utilisation de l'outil électroportatif peut entraîner de graves blessures sur les personnes.
- b) **Portez des équipements de protection. Portez toujours des lunettes de protection.** Le fait de porter des équipements de protection personnels tels que masque antipoussière, chaussures de sécurité antidérapantes, casque de protection ou protection acoustique suivant le travail à effectuer, réduit le risque de blessures.
- c) **Éviter une mise en service par mégarde. S'assurer que l'outil électroportatif est arrêté avant de le brancher à la source de courant et/ou au bloc-accu, de le prendre ou de le porter.** Le fait de porter l'outil électroportatif avec le doigt sur l'interrupteur ou de brancher l'appareil sur la source de courant lorsque l'interrupteur est en position de fonctionnement, peut entraîner des accidents.
- d) **Enlevez tout outil de réglage ou toute clé avant de mettre l'outil électroportatif en fonctionnement.** Une clé ou un outil se trouvant sur une partie en rotation peut causer des blessures.
- e) **Adoptez une bonne posture. Veillez à garder toujours une position stable et équilibrée.** Ceci vous permet de mieux contrôler l'outil électroportatif dans des situations inattendues.
- f) **Portez des vêtements appropriés. Ne portez pas de vêtements amples ni de bijoux. Maintenez cheveux, vêtements et gants éloignés des parties de l'appareil en rotation.** Des vêtements amples, des bijoux ou des cheveux longs peuvent être happés par des pièces en mouvement.
- g) **Si des dispositifs servant à aspirer ou à recueillir les poussières doivent être utilisés, vérifiez que ceux-ci sont effectivement raccordés et qu'ils sont correctement utilisés.** L'utilisation d'un dispositif d'aspiration peut réduire les risques dus aux poussières.

fr

5.1.4 Utilisation et maniement de l'outil électroportatif

- Ne surchargez pas l'appareil. Utilisez l'outil électroportatif approprié au travail à effectuer.** Avec l'outil électroportatif approprié, vous travaillerez mieux et avec plus de sécurité à la vitesse pour laquelle il est prévu.
- N'utilisez pas un outil électroportatif dont l'interrupteur est défectueux.** Un outil électroportatif qui ne peut plus être mis en ou hors fonctionnement est dangereux et doit être réparé.
- Retirez la fiche de la prise de courant et/ou le bloc-accu avant d'effectuer des réglages sur l'appareil, de changer les accessoires, ou de ranger l'appareil.** Cette mesure de précaution empêche une mise en fonctionnement par mégarde de l'outil électroportatif.
- Gardez les outils électroportatifs non utilisés hors de portée des enfants. Ne permettez pas l'utilisation de l'appareil à des personnes qui ne se sont pas familiarisées avec celui-ci ou qui n'ont pas lu ces instructions.** Les outils électroportatifs sont dangereux lorsqu'ils sont utilisés par des personnes non initiées.
- Prendre soin des outils électroportatifs. Vérifier que les parties en mouvement fonctionnent correctement et qu'elles ne sont pas coincées, et contrôler si des parties sont cassées ou endommagées de sorte que le bon fonctionnement de l'outil électroportatif s'en trouve entravé. Faire réparer les parties endommagées avant d'utiliser l'appareil.** De nombreux accidents sont dus à des outils électroportatifs mal entretenus.
- Maintenez les outils de coupe aiguisés et propres.** Des outils soigneusement entretenus avec des bords tranchants bien aiguisés se coincent moins souvent et peuvent être guidés plus facilement.
- L'outil électroportatif, les accessoires, les outils à monter, etc. doivent être utilisés conformément à ces instructions. Tenez compte également des conditions de travail et du travail à effectuer.** L'utilisation des outils électroportatifs à d'autres fins que celles prévues peut entraîner des situations dangereuses.

5.1.5 Service

- Ne faire réparer l'outil électroportatif que par un personnel qualifié et seulement avec des pièces de rechange d'origine.** Ceci permet d'assurer la sécurité de l'outil électroportatif.

5.2 Indications de sécurité pour les perceuses

- Porter un casque antibruit lors du perçage à percussion.** Le bruit peut entraîner des pertes auditives.
- Utiliser la poignée supplémentaire livrée avec l'appareil.** La perte de contrôle peut entraîner des blessures.
- Tenir l'appareil par les surfaces isolées des poignées lors des travaux pendant lesquels l'accessoire risque de toucher des câbles électriques cachés ou son propre câble d'alimentation ré-**

seau. Le contact avec un câble sous tension risque de mettre les parties métalliques de l'appareil sous tension et de provoquer une décharge électrique.

5.3 Consignes de sécurité supplémentaires

5.3.1 Sécurité des personnes

- Veiller à ce que les poignées soient toujours sèches, propres et exemptes de traces de graisse et d'huile.**
- Si l'appareil fonctionne sans dispositif d'aspiration de la poussière et si le travail effectué dégage de la poussière, porter un masque respiratoire léger.**
- Faire régulièrement des pauses et des exercices de relaxation et de massage des doigts pour favoriser l'irrigation sanguine dans les doigts.**
- Éviter de toucher des pièces en rotation. Brancher l'appareil uniquement dans l'espace de travail.** Le fait de toucher des pièces en rotation, en particulier des outils en rotation, risque d'entraîner des blessures.
- Pendant le travail, toujours tenir le câble d'alimentation réseau et de rallonge, et le cas échéant aussi le tuyau de l'aspirateur, à l'arrière de l'appareil.** Ceci permet d'éviter tout risque de chute en trébuchant sur le câble ou le tuyau pendant le travail.
- Avertir les enfants et veiller à ce qu'ils ne jouent pas avec l'appareil.**
- L'appareil n'est pas destiné à être utilisé par des enfants ou des personnes affaiblies sans encadrement.**

5.3.2 Utilisation et emploi soigneux de l'outil électroportatif

- Bien fixer la pièce. Pour ce faire, utiliser un dispositif de serrage ou un étau, pour maintenir la pièce travaillée en place.** Elle sera ainsi mieux tenue qu'à la main, et les deux mains restent alors libres pour commander l'appareil.
- Vérifier que les outils sont bien munis du système d'emmanchement adapté à l'appareil et qu'ils sont toujours correctement verrouillés dans le porte-outil.**
- En cas de coupure de courant, arrêter l'appareil et retirer la fiche de la prise.** Cette mesure de précaution empêche une mise en fonctionnement par mégarde de l'appareil lorsque le courant est rétabli.

5.3.3 Sécurité relative au système électrique



- Avant d'entamer le travail, vérifier, par exemple à l'aide d'un détecteur de métaux, qu'il n'y a pas de câbles ou gaines électriques, tuyaux de gaz ou d'eau cachés dans la zone d'intervention.** Toutes pièces métalliques extérieures de l'appareil peuvent

devenir conductrices, par exemple, lorsqu'un câble électrique est endommagé par inadvertance. Cela peut entraîner un grave danger d'électrocution.

- b) **Contrôler régulièrement les câbles de raccordement de l'appareil et les faire remplacer par un spécialiste s'ils sont endommagés. Si le câble de raccordement de l'appareil électrique est endommagé, il doit être remplacé par un câble de raccordement spécialement préparé admissible, disponible auprès du service après-vente. Contrôler régulièrement les câbles de rallonge et les remplacer s'ils sont endommagés. Si le câble d'alimentation réseau ou de rallonge est endommagé pendant le travail, ne pas le toucher. Débrancher la fiche de la prise.** Les cordons d'alimentation et câbles de rallonge endommagés représentent un danger d'électrocution.
- c) **Lorsqu'un appareil électroportatif est utilisé en plein air, s'assurer que l'appareil est raccordé au réseau par le biais d'un interrupteur de protection contre les courants de court-circuit (GFCI) avec un courant de déclenchement maximal de 30 mA.** L'utilisation d'un tel interrupteur de protection réduit le risque d'une décharge électrique.
- d) **En principe, il est recommandé d'utiliser un interrupteur de protection contre les courants de court-circuit (GFCI) avec un courant de déclenchement maximal de 30 mA.**

5.3.4 Place de travail

- a) **Veiller à ce que la place de travail soit bien ventilée.** Des places de travail mal ventilées peuvent nuire à la santé du fait de la présence excessive de poussière.
- b) **Si le travail effectué dégage de la poussière, raccorder un dispositif d'aspiration de poussière. Il est interdit de forer des matériaux nocifs pour la santé (par ex. amiante).**
- c) **AVERTISSEMENT : Certains types de poussières générées par ébarbage, meulage, tronçonnage et perçage contiennent des substances chimiques, connues pour être cancérigènes, qui risquent d'entraîner des malformations congénitales, une**

infertilité, des lésions permanentes des voies respiratoires ou d'autres natures. Quelques-unes de ces substances chimiques sont le plomb contenu dans les peintures au plomb, le quartz cristallin provenant des briques, du béton, de la maçonnerie ou de pierres naturelles, ou encore l'arsenic ou le chrome provenant de bois de construction traités chimiquement. Les risques pour l'utilisateur varient en fonction de la fréquence de ces travaux. **Afin de réduire la charge de ces substances chimiques, l'utilisateur et les tierces personnes doivent travailler dans une pièce bien ventilée et utiliser les équipements de sécurité homologués. Porter un masque respiratoire adapté au type de poussière déterminé, qui filtre les particules microscopiques et permet d'éviter tout contact de la poussière avec le visage ou le corps. Éviter tout contact prolongé avec la poussière. Porter des vêtements de protection et laver à l'eau et au savon la portion de peau qui a été en contact avec la poussière.** L'absorption de poussières par la bouche, le nez ou les yeux, ou le contact prolongé des poussières avec la peau, risque de favoriser l'absorption de substances chimiques nocives pour la santé.

5.3.5 Équipement de protection individuelle



L'utilisateur et les personnes se trouvant à proximité pendant l'utilisation de l'appareil doivent porter des lunettes de protection autorisées selon ANSI Z87.1, un casque de protection, un casque antibruit, des gants de protection, des chaussures de sécurité et, en cas de dégagement de poussières, un masque respiratoire léger.

6 Mise en service



ATTENTION

La tension du secteur doit correspondre à celle indiquée sur la plaque signalétique. S'assurer que l'appareil n'est pas raccordé au réseau électrique.

DANGER

En cas de perçages à travers un mur, sécuriser la zone située derrière le mur, étant donné que du matériau ou la carotte de forage risquent de tomber. En cas de perçages à travers un plafond, veiller à protéger

un périmètre de sécurité au sol, étant donné que du matériau ou la carotte de forage risquent de tomber.

ATTENTION

L'appareil ne doit pas être raccordé au réseau électrique pendant le transport. Débrancher la fiche de la prise.

6.1 Positionner la poignée latérale 2

ATTENTION

Débrancher la fiche de la prise.

1. Ouvrir le dispositif de serrage de la poignée latérale en tournant la poignée.

2. Tourner la poignée latérale dans la position souhaitée.
3. Fixer la poignée latérale anti-torsion en la tournant par la poignée.

6.2 Montage de la couronne diamantée 3



DANGER

Ne pas utiliser d'accessoires endommagés. Avant chaque utilisation, vérifier que les accessoires ne sont ni écaillés ni usés ou fortement détériorés. Ne pas utiliser d'outils endommagés. Des éclats de la pièce travaillée ou des accessoires cassés risquent d'être projetés et de provoquer des blessures même à l'extérieur de l'espace de travail direct.

REMARQUE

Les couronnes diamantées doivent être remplacées, sitôt que les performances de tronçonnage resp. la progression de perçage sont nettement réduites. C'est d'une manière générale le cas, lorsque la hauteur des segments diamantés est inférieure à 1/16".

ATTENTION

Pour éviter tout risque de blessure, utiliser uniquement des couronnes diamantées Hilti et accessoires DD 110-D d'origine. Pour les appareils avec porte-outil BI+, seules les couronnes diamantées Hilti d'origine sont autorisées.

ATTENTION

L'outil peut devenir très chaud lors de son utilisation ou de son affûtage. L'utilisateur risque de se brûler les mains. **Utiliser des gants de protection pour changer d'outil.**

ATTENTION

Débrancher la fiche de la prise.

ATTENTION

S'assurer que l'amorce de forage est bien positionnée sur la couronne diamantée.

ATTENTION

Lorsqu'une amorce de forage est utilisée, ne pas faire fonctionner l'appareil au ralenti sans contact avec le matériau support.

REMARQUE

Les porte-outils BR, BT, M16, M27 s'actionnent à l'aide d'une clé à fourche appropriée.

Le porte-outil, l'adaptateur et l'outil doivent être exempts de saletés.

1. Ouvrir le porte-outil (BI+) en tournant dans le sens du symbole Étrier ouvert.
2. Installer la couronne diamantée par l'avant sur la denture du porte-outil (BI+) sur l'appareil et la tourner, jusqu'à ce qu'elle s'encliquette.
3. Fermer le porte-outil (BI+) en tournant dans le sens du symbole Étrier fermé.
4. Contrôler, en tirant la couronne diamantée dans tous les sens, que la couronne de forage est bien fixée sur le porte-outil.

6.3 Montage du dispositif d'aspiration de poussière (en option)

6.3.1 Couronnes pour perçement de boîtiers 4

1. Pousser l'amorce de forage avec la pointe vers l'avant jusqu'en butée dans l'emmanchement pour couronnes pour perçement de boîtiers avec dispositif d'aspiration de poussière.
2. Monter l'emmanchement dans le porte-outil selon le montage de la couronne diamantée.
3. Repousser la bague d'arrêt et le dispositif d'aspiration de poussière en direction de l'appareil.
4. Monter la couronne pour perçement de boîtiers sur l'emmanchement.
5. Pousser le dispositif d'aspiration de poussière vers l'outil, jusqu'à ce qu'il touche la couronne diamantée et le fixer dans cette position tout en poussant la bague d'arrêt vers la couronne pour perçement de boîtiers.
6. Contrôler la liberté de rotation du dispositif d'aspiration de poussière en direction de l'appareil.

6.3.2 Couronne diamantée

1. Monter l'emmanchement pour la couronne diamantée avec le dispositif d'aspiration de poussière dans le porte-outil en fonction du montage de la couronne diamantée.
2. Monter la couronne diamantée sur l'emmanchement.

6.4 Sélection de la vitesse de rotation 5

ATTENTION

Ne pas mettre en service. Attendre que la broche soit arrêtée.

Choisir la vitesse en fonction du diamètre de forage utilisé. Tourner le commutateur tout en tournant la couronne diamantée à la main, jusqu'à la position recommandée (voir chapitre Description.)

6.5 Démontage de la couronne diamantée



ATTENTION

L'outil peut devenir très chaud lors de son utilisation ou de son affûtage. L'utilisateur risque de se brûler les mains. **Utiliser des gants de protection pour changer d'outil.**

ATTENTION

Débrancher la fiche de la prise.

REMARQUE

Pour les porte-outils BR, BT, M27, M16, fixer le porte-outil et enlever ensuite la couronne diamantée respectivement à l'aide d'une clé à fourche appropriée.

1. Ouvrir le porte-outil (BI+) en tournant dans le sens du symbole Étrier ouvert.
2. Tirer la douille du mandrin sur le porte-outil dans le sens de la flèche vers l'appareil. Ceci permet de déverrouiller la couronne diamantée.
3. Enlever la couronne diamantée.

fr

7 Utilisation



AVERTISSEMENT

Veiller à ce que le câble d'alimentation réseau et les flexibles n'entrent pas en contact avec des pièces en rotation.

DANGER

Lors de travaux avec des couronnes diamantées ajoutées, veiller à ne pas mettre les doigts dans les fentes.

ATTENTION

L'appareil et les travaux de forage sont bruyants. **Porter un casque antibruit.** Un bruit trop intense peut entraîner des lésions auditives.

ATTENTION

Le forage peut entraîner des projections dangereuses d'éclats de matériau. Les éclats de matériau peuvent entraîner des blessures corporelles et oculaires. **Utiliser des lunettes de protection et un casque de protection.**

AVERTISSEMENT

Du fait de ses applications, l'appareil a un couple de rotation élevé. **Utiliser la poignée latérale et toujours travailler en tenant l'appareil des deux mains.** L'utilisateur doit être préparé à l'éventualité d'un blocage soudain de l'outil.

DANGER

L'utilisateur doit être préparé à l'éventualité d'un blocage soudain de l'outil et être en équilibre parfaitement stable sur ses deux pieds.

7.1 Protection contre le vol TPS (en option)

REMARQUE

L'appareil peut être équipé, en option, de la fonction "Protection contre le vol". Si l'appareil est équipé avec cette fonction, il peut uniquement être débloqué et activé à l'aide de la clé de déblocage fournie.

7.1.1 Déblocage de l'appareil

1. S'assurer que l'appareil est alimenté par la tension du secteur. Le voyant jaune de protection contre le vol clignote. L'appareil est maintenant prêt à recevoir le signal de la clé de déblocage.
2. Placer la clé de déblocage ou la boucle de la montre TPS directement sur le symbole de cadenas. Sitôt que le voyant jaune de protection contre le vol s'éteint, l'appareil est débloqué.

REMARQUE Si l'alimentation électrique est coupée, par exemple lors du changement de poste de travail ou d'une panne de courant, l'appareil reste débloqué pendant environ 20 minutes. En cas de coupure plus longue, l'appareil doit à nouveau être débloqué à l'aide de la clé de déblocage.

7.1.2 Activation de la fonction de protection contre le vol de l'appareil

REMARQUE

Pour plus de détails concernant l'activation et l'utilisation de la protection contre le vol, consulter le mode d'emploi "Protection contre le vol".

7.2 Travail avec dispositif d'aspiration de poussière

ATTENTION

Toujours tenir le tuyau d'aspiration à l'arrière de l'appareil, de sorte à ce qu'il ne puisse pas entrer en contact avec la couronne diamantée.

ATTENTION

Pour éliminer le matériau aspiré, se référer au mode d'emploi de l'aspirateur.

REMARQUE

Pour éviter tout effet électrostatique, utiliser un aspirateur antistatique.

7.2.1 Aspirateur avec prise secteur pour outils électroportatifs 6

ATTENTION

Lors de travaux avec un dispositif d'aspiration de poussière, ne pas utiliser de couronnes diamantées ajourées.

REMARQUE

Les opérations optionnelles doivent être réalisées en utilisant une amorce de forage en deux parties.

1. Placer la poignée latérale dans la position souhaitée et la fixer.
2. Mettre l'amorce de forage en place (en option).
3. Insérer la fiche d'alimentation de l'appareil dans la prise de l'aspirateur de poussières.
4. Brancher la fiche d'alimentation de l'aspirateur dans la prise.
5. Positionner l'appareil au centre du forage.
6. Appuyer sur l'interrupteur Marche / Arrêt de l'outil électroportatif.

REMARQUE L'aspirateur démarre en différé après l'outil électroportatif. Après l'arrêt de l'outil électroportatif, l'aspirateur s'arrête en différé.

7. Au début du forage, le temps que la couronne de forage se centre, appuyer légèrement seulement puis renforcer la pression. Faire une coupe guidée de 3 à 5 mm (en option).
8. Arrêter l'appareil en relâchant l'interrupteur Marche / Arrêt et attendre jusqu'à ce que la couronne diamantée soit complètement arrêtée (en option).
9. Retirer l'amorce de forage hors de la couronne diamantée (en option).
10. Positionner la couronne diamantée dans la coupe guidée, appuyer sur l'interrupteur Marche / Arrêt et poursuivre le forage (en option).

7.2.2 Aspirateur sans fiche d'alimentation secteur pour outils électroportatifs

ATTENTION

Lors de travaux avec un dispositif d'aspiration de poussière, ne pas utiliser de couronnes diamantées ajourées.

REMARQUE

Les opérations optionnelles doivent être réalisées en utilisant une amorce de forage en deux parties.

1. Placer la poignée latérale dans la position souhaitée et la fixer.
2. Mettre l'amorce de forage en place (en option).
3. Insérer la fiche d'alimentation de l'aspirateur de poussières dans la prise et mettre l'aspirateur en marche.
4. Brancher la fiche d'alimentation de l'appareil dans la prise.

5. Appuyer sur l'interrupteur Marche / Arrêt de l'outil électroportatif.
6. Au début du forage, le temps que la couronne de forage se centre, appuyer légèrement seulement puis renforcer la pression. Faire une coupe guidée de 3 à 5 mm (en option).
7. Arrêter l'appareil en relâchant l'interrupteur Marche / Arrêt et attendre jusqu'à ce que la couronne diamantée soit complètement arrêtée (en option).
8. Retirer l'amorce de forage hors de la couronne diamantée (en option).
9. Positionner la couronne diamantée dans la coupe guidée, appuyer sur l'interrupteur Marche / Arrêt et poursuivre le forage (en option).
10. Laisser l'aspirateur tourner quelques secondes plus longtemps que l'appareil avant de l'arrêter, pour aspirer encore le matériau résiduel.

7.3 Travail sans dispositif d'aspiration de poussière



REMARQUE

Utiliser les couronnes diamantées ajourées pour le forage sans aspirateur.

REMARQUE

Enlever le dispositif d'aspiration ou le fixer pour l'empêcher de tourner.

REMARQUE

Les opérations optionnelles doivent être réalisées en utilisant une amorce de forage en deux parties.

ATTENTION

Débrancher la fiche de la prise secteur pour enlever la carotte de forage.

DANGER

Porter un masque respiratoire léger.

REMARQUE

La poussière se dégage dans toutes les directions. Le forage sans dispositif d'aspiration de poussière, en particulier sous plafond, n'est pas confortable et les performances pas optimales. C'est la raison pour laquelle il n'est pas recommandé de forer sous plafond sans dispositif d'aspiration de poussière. Il est toujours recommandé d'utiliser le dispositif d'aspiration de poussière avec un aspirateur approprié au forage à sec.

1. Placer la poignée latérale dans la position souhaitée et la fixer.
2. Mettre l'amorce de forage en place (en option).
3. Brancher la fiche dans la prise.
4. Positionner l'appareil au centre du forage.
5. Appuyer sur l'interrupteur Marche / Arrêt de l'outil électroportatif.

1. Au début du forage, le temps que la couronne de forage se centre, appuyer légèrement seulement puis renforcer la pression. Faire une coupe guidée de 3 à 5 mm (en option).
2. Arrêter l'appareil en relâchant l'interrupteur Marche / Arrêt et attendre jusqu'à ce que la couronne diamantée soit complètement arrêtée (en option).
3. Retirer l'amorce de forage hors de la couronne diamantée (en option).
4. Positionner la couronne diamantée dans la coupe guidée, appuyer sur l'interrupteur Marche / Arrêt et poursuivre le forage (en option).

7.4 Désactivation et démontage du système



ATTENTION

Se munir de gants de protection pour changer d'outil, car l'appareil peut être très chaud après utilisation.

ATTENTION

La couronne diamantée est remplie de poussière et de matériau de forage. S'assurer d'avoir un bon appui pour supporter le poids supplémentaire du matériau de forage.

REMARQUE

Transporter l'appareil de préférence dans le coffret Hilti.

1. Relâcher l'interrupteur Marche / Arrêt sur l'outil électroportatif et retirer la couronne diamantée hors du trou de forage.
2. Le cas échéant, arrêter l'aspirateur utilisé.
3. Vérifier que l'appareil n'est plus raccordé au secteur.
4. Le cas échéant, enlever la carotte.
5. Enlever la couronne diamantée.

7.5 Étapes de travail en cas de coincement de la couronne de forage

Si la couronne de forage est coincée, l'accouplement à friction se désengage jusqu'à ce que l'opérateur arrête l'appareil. La couronne de forage peut être débloquée en procédant comme suit :

7.5.1 Desserrage de la couronne de forage à l'aide d'une clé à fourche

1. Débrancher la fiche de la prise.
2. Saisir la couronne de forage près de l'emmanchement à l'aide d'une clé à fourche appropriée et desserrer la couronne de forage en la tournant.
3. Brancher la fiche d'alimentation de l'appareil dans la prise.
4. Poursuivre le processus de forage.

7.6 Transport

ATTENTION

S'assurer que l'appareil n'est pas raccordé au réseau électrique.

REMARQUE

Déposer et transporter dans la mesure du possible l'appareil dans le coffret Hilti.

8 Nettoyage et entretien

ATTENTION

Débrancher la fiche de la prise.

8.1 Entretien des outils et des pièces métalliques

Enlever toute trace de saleté et protéger la surface des outils et du porte-outil de la corrosion, en les frottant de temps à autre avec un chiffon imbibé d'huile.

Veiller à ce que la queue de la mèche soit toujours propre et légèrement graissée.

8.2 Maintenance de l'appareil

ATTENTION

Tenir l'appareil, en particulier les surfaces de préhension, sec, propre et exempt d'huile et de graisse. Ne pas utiliser de nettoyants à base de silicone.

Ne jamais faire fonctionner l'appareil si ses ouïes d'aération sont bouchées ! Les nettoyer avec précaution au moyen d'une brosse sèche. Éviter toute pénétration de corps étrangers à l'intérieur de l'appareil. Nettoyer régulièrement l'extérieur de l'appareil avec un chiffon légèrement humide. Ne pas utiliser d'appareil diffuseur,

d'appareil à jet de vapeur ou d'eau courante pour le nettoyage afin de garantir sa sûreté électrique !

8.3 Entretien

AVERTISSEMENT

Toute réparation des pièces électriques ne doit être effectuée que par un électricien qualifié.

Vérifier régulièrement toutes les pièces extérieures de l'appareil pour voir si elles ne sont pas abîmées et s'assurer que tous les organes de commande fonctionnent correctement. Ne pas utiliser l'appareil si des pièces sont abîmées ou si des organes de commande ne fonctionnent pas parfaitement. Faire réparer l'appareil par le S.A.V. Hilti.

8.4 Remplacement des balais de charbon 7

REMARQUE

Le témoin lumineux avec le symbole Clé à fourche s'allume lorsque les balais de charbon doivent être remplacés.

DANGER

L'appareil ne doit être utilisé, entretenu et réparé que par un personnel autorisé et formé à cet effet ! Ce personnel doit être au courant des dangers inhérents à l'utilisation de l'appareil. Si les instructions suivantes ne sont pas respectées, il y a risque d'entrer en contact avec des tensions électriques dangereuses.

1. Débrancher l'appareil du réseau.
2. Ouvrir les couvercles des balais de charbon de part et d'autre de l'unité moteur.
3. Bien observer comment sont disposés les balais de charbon et les cordons. Retirer les balais de charbon usagés de l'appareil.

4. Installer les nouveaux balais de charbon exactement comme les anciens balais de charbon étaient disposés avant (numéro de pièce détachée : Balais de charbon AO ML 100-127 V : 39577).

REMARQUE Lors de la mise en place, veiller à ne pas endommager l'isolation du cordon à témoin.

5. Visser les couvercles des balais de charbon de part et d'autre de l'unité moteur.

REMARQUE Le témoin lumineux s'éteint une fois les balais de charbon remplacés et que l'appareil est à nouveau raccordé au réseau.

8.5 Contrôle après des travaux de maintenance et d'entretien

Après des travaux de maintenance et d'entretien, vérifier si tous les équipements de protection sont bien en place et fonctionnent parfaitement.

9 Guide de dépannage

Défauts	Causes possibles	Solutions
L'appareil ne se met pas en marche	Alimentation par secteur interrompue	Brancher un autre appareil électrique, vérifier s'il fonctionne ; contrôler les fiches de raccordement, le câble électrique, l'alimentation secteur
	Balais de charbon débranchés	Remplacement des balais de charbon Voir chapitre : 8.4 Remplacement des balais de charbon 7
	Interrupteur Marche / Arrêt défectueux	Faire réparer l'appareil par le S.A.V. Hilti
	Alimentation électrique interrompue	Contrôler le cordon d'alimentation et au besoin l'aspirateur, le câble de rallonge, la fiche d'alimentation et, si nécessaire, les faire remplacer par un électricien
L'appareil ne fonctionne pas et l'indicateur de maintenance s'allume	Défaillance électronique	Faire réparer l'appareil par le S.A.V. Hilti
	Balais de charbon usés	Remplacement des balais de charbon Voir chapitre : 8.4 Remplacement des balais de charbon 7
L'appareil ne fonctionne pas, les balais de charbon sont remplacés, l'indicateur de maintenance s'allume	Appareil endommagé	Faire réparer l'appareil par le S.A.V. Hilti
L'indicateur de maintenance s'allume	Balais de charbon usés ; il reste encore quelques heures de fonctionnement.	Les balais de charbon devraient être remplacés. Voir chapitre : 8.4 Remplacement des balais de charbon 7
L'indicateur de maintenance clignote	Vitesse de rotation erronée	Faire réparer l'appareil par le S.A.V. Hilti.
L'appareil ne fonctionne pas, le voyant jaune de protection contre le vol clignote.	L'appareil n'est pas débloquent (pour les appareils avec protection contre le vol, en option).	Débloquent l'appareil à l'aide de la clé de débloquent.
Le moteur tourne, la couronne diamantée ne tourne pas	Variateur de vitesse non enclenché	Actionner le variateur de vitesse jusqu'à ce qu'il s'encliquette nettement
	Réducteur défectueux	Faire réparer l'appareil par le S.A.V. Hilti

Défauts	Causes possibles	Solutions
La vitesse de forage diminuée	Couronne diamantée polie	Affûter la couronne diamantée sur une surface d'affûtage
	Couronne diamantée polie	Spécifications de couronne de forage erronées, chercher conseil auprès du S.A.V. Hilti
	Carotte coincée dans la couronne diamantée	Retirer la carotte
	Profondeur de forage maximale atteinte	Retirer la carotte et utiliser une rallonge de couronne de forage
	Couronne diamantée défectueuse	Vérifier que la couronne diamantée n'est pas endommagée et la remplacer le cas échéant
	L'accouplement à friction se désengage trop tôt ou glisse	Faire réparer l'appareil par le S.A.V. Hilti
Impossible d'insérer la couronne diamantée dans le porte-outil	La poussière freine la progression de forage	Utiliser un dispositif d'aspiration de poussière approprié
	Emmanchement / porte-outil encrassé ou endommagé	Nettoyer l'emmanchement / le porte-outil ou le remplacer le cas échéant
Jeu trop important du système de forage	Couronne de forage insuffisamment vissée dans le porte-outil	Serrer fermement
	Emmanchement défectueux	Vérifier l'emmanchement et le remplacer au besoin

10 Recyclage



Les appareils Hilti sont fabriqués pour une grande partie en matériaux recyclables dont la réutilisation exige un tri correct. Dans de nombreux pays, Hilti est déjà équipé pour reprendre votre ancien appareil afin d'en recycler les composants. Consulter le service clients Hilti ou votre conseiller commercial.

11 Garantie constructeur des appareils

En cas de questions relatives aux conditions de garantie, veuillez vous adresser à votre partenaire HILTI local.

Sistema de perforación de diamante DD 110-D

Lea detenidamente el manual de instrucciones antes de la puesta en servicio.

Conservar el manual de instrucciones siempre cerca de la herramienta.

En caso de traspaso a terceros, la herramienta siempre se debe entregar junto con el manual de instrucciones.

Índice	Página
1 Indicaciones generales	26
2 Descripción	27
3 Accesorios	29
4 Datos técnicos	29
5 Indicaciones de seguridad	30
6 Puesta en servicio	32
7 Manejo	34
8 Cuidado y mantenimiento	36
9 Localización de averías	37
10 Reciclaje	38
11 Garantía del fabricante de las herramientas	38

Los números hacen referencia a las ilustraciones que pueden encontrarse en las páginas desplegadas correspondientes. Manténgalas desplegadas mientras estudia el manual de instrucciones.

En este manual de instrucciones, la "herramienta" se refiere siempre a la perforadora de diamante DD 110-D.

Componentes de la herramienta, elementos de manejo y de indicación

Perforadora de diamante DD 110-D

- ① Empuñadura lateral
- ② Interruptor de cambio
- ③ Engranaje
- ④ Motor
- ⑤ Cubierta de las escobillas de carbón
- ⑥ Indicador de funcionamiento
- ⑦ Interruptor de conexión y desconexión
- ⑧ Empuñadura
- ⑨ Cable de red
- ⑩ Portaútiles
- ⑪ Equipamiento especial: TPS

1 Indicaciones generales

1.1 Señales de peligro y su significado

PELIGRO

Término utilizado para un peligro inminente que puede ocasionar lesiones graves o incluso la muerte.

ADVERTENCIA

Término utilizado para una posible situación peligrosa que puede ocasionar lesiones graves o la muerte.

PRECAUCIÓN

Término utilizado para una posible situación peligrosa que puede ocasionar lesiones o daños materiales leves.

INDICACIÓN

Término utilizado para indicaciones de uso y demás información de interés.

1.2 Explicación de los pictogramas y otras indicaciones

Símbolos de advertencia



Advertencia de peligro en general



Advertencia de tensión eléctrica peligrosa



Advertencia ante superficie caliente

Señales prescriptivas



Utilizar protección para los ojos



Utilizar casco de protección



Utilizar protección para los oídos



Utilizar guantes de protección



Utilizar mascarilla ligera



Utilizar zapatos de protección



Leer el manual de instrucciones antes del uso

Símbolos

RPM

Revoluciones por minuto

/min

Revoluciones por minuto



Símbolo del cerrojo



Indicación de protección antirrobo



Indicador de funcionamiento



Recoger los materiales para su reutilización

Ubicación de los datos identificativos de la herramienta.

La denominación del modelo y la identificación de serie se indican en la placa de identificación de su herramienta. Anote estos datos en su manual de instrucciones y menciónelos siempre que realice alguna consulta a nuestros representantes o al departamento de servicio técnico.

Modelo:

N.º de serie:

es

2 Descripción

2.1 Uso conforme a las prescripciones

La DD 110-D es una perforadora sacanúcleos de diamante con accionamiento eléctrico y apropiada para la perforación manual en seco mediante coronas perforadoras de diamante y avellanadores de diamante en mampostería.

La herramienta no es adecuada para taladrar hormigón u hormigón armado.

No está permitido taladrar materiales que produzcan polvo que sea conductor eléctrico y/o combustible (por ejemplo madera, magnesio).

Utilice el aspirador portátil más adecuado para cada situación, como por ejemplo el aspirador de polvo VCD 50 de Hilti.

Para evitar daños, utilice exclusivamente coronas de perforación Hilti originales y accesorios DD 110-D.

Siga también las instrucciones de seguridad y manejo del accesorio utilizado.

Siga las indicaciones relativas al manejo, cuidado y mantenimiento que se describen en el manual de instrucciones.

Esta herramienta ha sido diseñada para el usuario profesional y sólo debe ser manejada, conservada y reparada por personal autorizado y debidamente formado. Este personal deberá estar especialmente instruido en lo referente a los riesgos de uso. La herramienta y sus dispositivos auxiliares pueden conllevar riesgos para el usuario en caso de manejarse de forma inadecuada por personal no cualificado o utilizarse para usos diferentes a los que están destinados.

El entorno de trabajo puede ser: obra, taller, renovaciones, mudanzas y obra nueva.

Un funcionamiento correcto sólo es posible con la frecuencia y tensión de alimentación especificada en la placa de identificación.

No deben trabajarse materiales nocivos para la salud (p.ej., amianto).
No está permitido efectuar manipulaciones o modificaciones en la herramienta.

2.2 Uso en diversos equipamientos

Tipos de taladro para DD 110-D	Coronas de perforación \varnothing	Sentido de perforación	Superficie de trabajo
Perforaciones	16...162 mm ($\frac{5}{8}$ "...6 $\frac{1}{2}$ "")	Todas las direcciones	Mampostería (por ejemplo roca calcárea, ladrillo)
Taladros ciegos / avellanado	16...162 mm ($\frac{5}{8}$ "...6 $\frac{1}{2}$ "")	Todas las direcciones	Mampostería (por ejemplo roca calcárea, ladrillo)

2.3 Tabla de las velocidades y de los respectivos diámetros de la corona de perforación

Velocidad	Coronas de perforación PCM	Coronas de perforación HDM	Velocidad de giro en vacío
1	42...162 mm (1 $\frac{5}{8}$ " ... 6 $\frac{1}{2}$ "")	102...162 mm (4" ... 6 $\frac{1}{2}$ "")	650/min
2		16...87 mm ($\frac{5}{8}$ " ... 3 $\frac{1}{2}$ "")	1.380/min

2.4 Protección antirrobo TPS (opcional)

La herramienta puede estar equipada opcionalmente con la función "protección antirrobo TPS". Si la herramienta está equipada con esta función, necesitará la llave de activación correspondiente para activarla y manejarla.

2.5 El suministro del equipamiento de serie incluye:

- 1 Herramienta con empuñadura lateral y portaútiles
- 1 Manual de instrucciones
- 1 Maletín Hilti o embalaje de cartón

2.6 Uso de alargadores

Utilice exclusivamente el alargador autorizado con sección suficiente para el campo de aplicación prescrito.

Sección mínima recomendada y longitud máxima del cable:

Sección de cable	14 AWG	12 AWG
Tensión de alimentación 110-120 V	50 ft	150 ft

No utilice alargadores con una sección de cable de 16 AWG.

2.7 Uso de un generador o transformador

Esta herramienta puede accionarse desde un generador o transformador (por cuenta de la empresa explotadora) si se cumplen las siguientes condiciones: la potencia útil en vatios debe ser al menos el doble de la potencia que figura en la placa de identificación de la herramienta; la tensión de servicio debe oscilar siempre entre +5% y -15% respecto a la tensión nominal y la frecuencia debe ser de 50 a 60 Hz (nunca debe superar los 65 Hz); debe existir, además, un regulador de tensión automático con refuerzo de arranque.

INDICACIÓN

La conexión y desconexión de otras herramientas puede ocasionar máximos de subtensión o sobretensión que pueden dañar la herramienta. No utilice el generador o el transformador con varias herramientas a la vez.

3 Accesorios

Denominación	Número de artículo, descripción
Protección antirrobo TPS (Theft Protection System) con Company Card, Company Remote y llave de activación TPS-K	Opcional
Aspiración de polvo	315773
Portátiles M16	315774
Portátiles BI+	315791
Portátiles BR	315792
Portátiles BT	315793
Mandril de corona dentada	315794
Portabrocas de sujeción rápida	315795
Conexión M27 para coronas de perforación	315805
Conexión BI+ para coronas de perforación	315806
Conexión M27 para coronas de perforación	315807
Conexión BI+ para coronas de perforación	315824
Empuñadura lateral	315825
Aspiración de polvo con conexión BI+ para coronas de perforación	315826
Aspiración de polvo con conexión M27 para coronas de perforación	315827
Aspiración de polvo con conexión BI+ para brocas corona	315828
Aspiración de polvo con conexión M27 para avellanadores	331621
Guía de centrado para avellanadores	281318
Guía de centrado para avellanadores BI+	209661

4 Datos técnicos

Reservado el derecho a introducir modificaciones técnicas.

Herramienta	DD 110-D
Tensión nominal	120 V
Intensidad nominal	14,1 A
Frecuencia nominal	60 Hz
Número de referencia de revoluciones en vacío, 1ª velocidad	650/min
Número de referencia de revoluciones en vacío, 2ª velocidad	1.380/min

Información sobre la herramienta y su aplicación

Dimensiones (L x A x A)	446 mm (17,56") x 120 mm (4,72") x 170 mm (6,69")
Peso	5,1 kg (11,24 lb)
Clase de protección	II

5 Indicaciones de seguridad

5.1 Indicaciones generales de seguridad para herramientas eléctricas

a) ADVERTENCIA

Lea con atención todas las instrucciones e indicaciones de seguridad. En caso de no respetar las instrucciones e indicaciones de seguridad que se describen a continuación, podría producirse una descarga eléctrica, incendio y/o lesiones graves. **Conserve todas las instrucciones e indicaciones de seguridad para futuras consultas.** El término «herramienta eléctrica» empleado en las indicaciones de seguridad se refiere a herramientas eléctricas portátiles, ya sea con cable de red o sin cable, en caso de ser accionadas por batería.

5.1.1 Seguridad en el puesto de trabajo

- a) **Mantenga su área de trabajo limpia y bien iluminada.** El desorden o una iluminación deficiente de las zonas de trabajo pueden provocar accidentes.
- b) **No utilice la herramienta eléctrica en un entorno con peligro de explosión, en el que se encuentren combustibles líquidos, gases o material en polvo.** Las herramientas eléctricas producen chispas que pueden llegar a inflamar los materiales en polvo o vapores.
- c) **Mantenga alejados a los niños y otras personas de su puesto de trabajo al emplear la herramienta eléctrica.** Una distracción le puede hacer perder el control sobre la herramienta.

5.1.2 Seguridad eléctrica

- a) **El enchufe de la herramienta eléctrica debe corresponder con la toma de corriente utilizada. No está permitido modificar el enchufe en forma alguna. No utilice enchufes adaptadores para las herramientas eléctricas con puesta a tierra.** Los enchufes sin modificar adecuados a las respectivas tomas de corriente reducen el riesgo de descarga eléctrica.
- b) **Evite el contacto corporal con superficies que tengan puesta a tierra, como pueden ser tubos, calefactores, cocinas y frigoríficos.** El riesgo a quedar expuesto a una descarga eléctrica es mayor si su cuerpo tiene contacto con el suelo.
- c) **No exponga las herramientas eléctricas a la lluvia y evite que penetren líquidos en su interior.** El riesgo de recibir descargas eléctricas aumenta si penetra agua en la herramienta eléctrica.
- d) **No utilice el cable de red para transportar o colgar la herramienta eléctrica ni tire de él para extraer el enchufe de la toma de corriente. Mantenga el cable de red alejado de fuentes de calor, aceite, aristas afiladas o piezas móviles de la herramienta.** Los cables de red dañados o enredados pueden provocar descargas eléctricas.
- e) **Cuando trabaje al aire libre con una herramienta eléctrica, utilice exclusivamente un alargador adecuado para exteriores.** La utilización de

un cable de prolongación adecuado para su uso en exteriores reduce el riesgo de una descarga eléctrica.

- f) **Cuando no pueda evitarse el uso de la herramienta eléctrica en un entorno húmedo, utilice un interruptor de corriente de defecto.** La utilización de un interruptor de corriente de defecto evita el riesgo de una descarga eléctrica.

5.1.3 Seguridad de las personas

- a) **Permanezca atento, preste atención durante el trabajo y utilice la herramienta eléctrica con prudencia. No utilice la herramienta eléctrica si está cansado, ni tampoco después de haber consumido alcohol, drogas o medicamentos.** Un momento de descuido al utilizar la herramienta eléctrica podría producir graves lesiones.
- b) **Utilice el equipo de protección adecuado y lleve siempre gafas de protección.** El riesgo de lesiones se reduce considerablemente si, según el tipo y la aplicación de la herramienta eléctrica empleada, se utiliza un equipo de cubierta protectora adecuado como una mascarilla antipolvo, zapatos de seguridad con suela antideslizante, casco o protectores auditivos.
- c) **Evite una puesta en marcha fortuita de la herramienta. Asegúrese de que la herramienta eléctrica está apagada antes de alzarla, transportarla, conectarla a la alimentación de corriente y/o insertar la batería.** Si transporta la herramienta eléctrica sujetándola por el interruptor de conexión/desconexión o si introduce el enchufe en la toma de corriente con la herramienta conectada, podría producirse un accidente.
- d) **Retire las herramientas de ajuste o llaves fijas antes de conectar la herramienta eléctrica.** Una herramienta o llave colocada en una pieza giratoria puede producir lesiones al ponerse en funcionamiento.
- e) **Evite adoptar posturas forzadas. Procure que la postura sea estable y manténgase siempre en equilibrio.** De esta forma podrá controlar mejor la herramienta eléctrica en caso de presentarse una situación inesperada.
- f) **Utilice ropa adecuada. No utilice vestimenta amplia ni joyas. Mantenga su pelo, vestimenta y guantes alejados de las piezas móviles.** La vestimenta suelta, las joyas y el pelo largo se pueden enganchar con las piezas móviles.
- g) **Siempre que sea posible utilizar equipos de aspiración o captación de polvo, asegúrese de que están conectados y de que se utilizan correctamente.** El uso de un sistema de aspiración reduce los riesgos derivados del polvo.

5.1.4 Uso y manejo de la herramienta eléctrica

- a) **No sobrecargue la herramienta. Utilice la herramienta adecuada para el trabajo que se dispone a realizar.** Con la herramienta apropiada podrá traba-

jar mejor y de modo más seguro dentro del margen de potencia indicado.

- b) **No utilice herramientas con el interruptor defectuoso.** Las herramientas que no se puedan conectar o desconectar son peligrosas y deben repararse.
- c) **Extraiga el enchufe de la toma de corriente y/o la batería antes de efectuar cualquier ajuste en la herramienta, cambiar accesorios o en caso de no utilizar la herramienta durante un tiempo prolongado.** Esta medida preventiva reduce el riesgo de conexión accidental de la herramienta eléctrica.
- d) **Guarde las herramientas fuera del alcance de los niños. Evite que personas no familiarizadas con su uso o que no hayan leído este manual de instrucciones utilicen la herramienta.** Las herramientas utilizadas por personas inexpertas son peligrosas.
- e) **Cuide su herramienta eléctrica adecuadamente. Compruebe si las piezas móviles de la herramienta funcionan correctamente y sin atascarse, y si existen piezas rotas o deterioradas que pudieran afectar al funcionamiento de la herramienta eléctrica. Encargue la reparación de las piezas defectuosas antes de usar la herramienta eléctrica.** Muchos accidentes son consecuencia de un mantenimiento inadecuado de la herramienta eléctrica.
- f) **Mantenga los útiles limpios y afilados.** Las herramientas de corte bien cuidadas y con aristas afiladas se atascan menos y se guían con más facilidad.
- g) **Utilice la herramienta eléctrica, los accesorios, útiles, etc., de acuerdo con estas instrucciones. Para ello, tenga en cuenta las condiciones de trabajo y la tarea que se va a realizar.** El uso de herramientas eléctricas para trabajos diferentes de aquellos para los que han sido concebidas puede resultar peligroso.

5.1.5 Servicio técnico

- a) **Solicite que un profesional lleve a cabo la reparación de su herramienta eléctrica y que utilice exclusivamente piezas de repuesto originales.** Solamente así se mantiene la seguridad de la herramienta eléctrica.

5.2 Indicaciones de seguridad para taladradoras

- a) **Utilice protección para los oídos al taladrar con percusión.** El ruido constante puede reducir la capacidad auditiva.
- b) **Utilice las empuñaduras adicionales que se suministran con la herramienta.** La pérdida del control puede causar lesiones.
- c) **Sujete la herramienta por las empuñaduras aisladas cuando realice trabajos en los que la herramienta puede entrar en contacto con cables eléctricos ocultos o con el propio cable de la herramienta.** El contacto con los cables conductores puede traspasar la conductividad a las partes metálicas y producir descargas eléctricas.

5.3 Indicaciones de seguridad adicionales

5.3.1 Seguridad de personas

- a) **Mantenga las empuñaduras secas, limpias y sin residuos de aceite o grasa.**
- b) **Si la herramienta se utiliza sin un sistema de aspiración de polvo, debe utilizar una mascarilla ligera al realizar trabajos que generen polvo.**
- c) **Efectúe pausas durante el trabajo, así como ejercicios de relajación y estiramiento de los dedos para mejorar la circulación.**
- d) **No toque las piezas en movimiento. No conecte la herramienta fuera de la zona de trabajo.** Tocar piezas en movimiento, en especial herramientas rotativas, puede ocasionar lesiones.
- e) **Al trabajar, mantenga siempre el cable de red, el alargador y la manguera de aspiración de polvo alejados de la herramienta y por detrás de ésta.** Esto reduce el riesgo de caída debido a enredos con el cable o la manguera mientras se trabaja.
- f) **Es conveniente advertir a los niños de que no deben jugar con la herramienta.**
- g) **La herramienta no es apta para el uso por parte de niños o de personas físicamente no preparadas que no tengan la debida instrucción.**

5.3.2 Manipulación y utilización segura de las herramientas eléctricas

- a) **Asegure la pieza de trabajo. Utilice dispositivos de sujeción o un tornillo de banco para sujetar la pieza de trabajo.** De esta forma estará sujeta de modo más seguro que con la mano y, por otro lado, se podrán mantener libres ambas manos para el manejo de la herramienta.
- b) **Compruebe si los útiles disponen del sistema de inserción adecuado para la herramienta y si están enclavados en el portaútiles conforme a las prescripciones.**
- c) **En caso de interrupción de la corriente, desconecte la herramienta y extraiga el enchufe de red.** Esto evita la puesta en servicio involuntaria de la herramienta en caso de que vuelva la corriente.

5.3.3 Seguridad eléctrica



- a) **Compruebe antes de empezar a trabajar si la zona de trabajo oculta cables eléctricos, tuberías de gas o cañerías de agua, por ejemplo, con un detector de metales.** Las partes metálicas exteriores de la herramienta pueden conducir electricidad si, por ejemplo, se ha dañado accidentalmente una conducción eléctrica. Esto conlleva un peligro grave de descarga eléctrica.
- b) **Compruebe con regularidad el cable de conexión de la herramienta y, en caso de que presentara daños, encargue su sustitución a un profesional**

experto en la materia. Si el cable de conexión de la herramienta eléctrica está dañado, debe reemplazarse por un cable especial homologado que encontrará en nuestro Servicio Posventa. Inspeccione regularmente los alargadores y sustitúyalos en caso de que estuvieran dañados. Si se daña el cable de red o el alargador durante el trabajo, evite tocar el cable. Extraiga el enchufe de red de la toma de corriente. Los cables de conexión y los alargadores dañados son un peligro porque pueden ocasionar una descarga eléctrica.

- c) Al trabajar con una herramienta eléctrica al aire libre, asegúrese de que la herramienta esté conectada mediante un interruptor de corriente de defecto (GFCI) con un máximo de 30 mA de corriente de activación a la red eléctrica. El uso de un interruptor de corriente de defecto reduce el riesgo de una descarga eléctrica.
- d) Se recomienda en principio la utilización de un interruptor de corriente de defecto (GFCI) con una corriente de desconexión máxima de 30 mA.

5.3.4 Lugar de trabajo

- a) Procure que haya una buena ventilación del lugar de trabajo. Los lugares de trabajo mal ventilados pueden perjudicar la salud debido a la carga de polvo.
- b) Conecte la aspiración de polvo en los trabajos que generen polvo. No deben perforarse materiales nocivos para la salud (p. ej., amianto).
- c) **ADVERTENCIA:** ciertos tipos de polvo que se producen al realizar trabajos de desbarbado, lijado, tronzado y taladrado, contienen sustancias químicas, conocidas por provocar cáncer, que ocasionan malformaciones en el feto, esterilidad, problemas en las vías respiratorias y otras lesiones. Entre estas sustancias químicas se encuentran el plomo de la pintura de plomo, el cuarzo cristalino derivado de ladrillos secos, hormigón, mampostería

o piedras naturales, o el arsénico y el cromo derivados de la madera de construcción tratada con productos químicos. El nivel de riesgo varía dependiendo de la frecuencia con la que se realizan estos trabajos. **Para reducir los efectos de estas sustancias químicas, tanto el usuario como terceras personas deben trabajar en espacios con buena ventilación y usar siempre equipos de seguridad autorizados. Utilice una mascarilla adecuada para determinados tipos de polvo, que pueda filtrar además partículas microscópicas y mantenga alejado el polvo de la cara y el cuerpo. Evite un contacto prolongado con el polvo. Utilice prendas protectoras y lave con agua y jabón las partes de su cuerpo que hayan estado en contacto con el polvo.** La penetración de partículas de polvo a través de la boca, nariz u ojos y el contacto prolongado del polvo con la piel puede provocar la absorción de sustancias químicas perjudiciales para la salud.

5.3.5 Equipo de seguridad personal



En caso de que se produzca polvo, el usuario y las personas que permanezcan cerca de este deberán llevar, en cumplimiento de la norma ANSI Z87.1, gafas protectoras adecuadas, casco de protección, protectores auditivos, guantes de protección, zapatos de protección y una mascarilla ligera mientras se esté utilizando la herramienta.

6 Puesta en servicio



PRECAUCIÓN

La tensión de alimentación debe coincidir con los datos que aparecen en la placa de identificación. La herramienta no debe estar conectada a la corriente eléctrica.

PELIGRO

Al realizar trabajos de perforación en paredes, asegure la zona trasera de la pared, ya que el material o el testigo pueden desprenderse por detrás. Al realizar trabajos de perforación en techos, asegure la zona inferior, ya que el material o el testigo pueden desprenderse por abajo.

PRECAUCIÓN

La herramienta no puede estar conectada a la red durante su transporte. Extraiga el enchufe de red de la toma de corriente.

6.1 Colocación de la empuñadura lateral **2**

PRECAUCIÓN

Extraiga el enchufe de red de la toma de corriente.

1. Abra el soporte de la empuñadura lateral girando la empuñadura.
2. Gire la empuñadura lateral hasta alcanzar la posición deseada.
3. Gire la empuñadura lateral para fijarla.

6.2 Montaje de la corona perforadora de diamante 3



PELIGRO

No utilice herramientas dañadas. Antes de utilizar la herramienta, compruebe si hay indicios de desprendimiento, agrietamiento, desgaste o de deterioro grave. No utilice herramientas defectuosas. Los fragmentos que pueden desprenderse de la pieza de trabajo o las herramientas rotas pueden salir despedidos y provocar lesiones incluso fuera de la zona de trabajo.

INDICACIÓN

Las coronas perforadoras de diamante deben sustituirse cuando su capacidad de corte o de avance de perforación disminuya notablemente. En general esto sucede cuando la altura del segmento de diamante es inferior a $\frac{1}{16}$ ".

PRECAUCIÓN

Para evitar daños, utilice exclusivamente coronas de perforación Hilti originales y accesorios DD 110-D. Para herramientas con portaútiles BI+ solamente pueden utilizarse coronas de perforación originales Hilti.

PRECAUCIÓN

La herramienta puede alcanzar temperaturas elevadas durante su utilización o al afilarla. Por consiguiente, puede quemarse las manos. **Utilice guantes de protección para cambiar de útil.**

PRECAUCIÓN

Extraiga el enchufe de red de la toma de corriente.

PRECAUCIÓN

Asegúrese de que la guía de centrado está colocada de forma segura en la corona de perforación.

PRECAUCIÓN

Si utiliza la guía de centrado no accione la herramienta sin entrar en contacto con la superficie de taladro en marcha en vacío.

INDICACIÓN

Los portaútiles BR, BT, M16, M27 se accionan con una llave de boca adecuada.

El portaútiles, el adaptador y la herramienta deben estar limpios.

1. Abra el portaútiles (BI+) girando en dirección al símbolo de la abrazadera abierta.
2. Inserte la corona perforadora de diamante desde delante hacia el engranaje del portaútiles (BI+) de la herramienta y gírela hasta que quede bloqueada.
3. Cierre el portaútiles (BI+) girando en dirección al símbolo de las abrazaderas cerradas.
4. Compruebe que la corona perforadora esté firmemente asentada en el portaútiles. Para ello, tire de la corona perforadora de diamante y muévala de un lado a otro.

6.3 Montaje de la aspiración de polvo (opcional)

6.3.1 Avellanador 4

1. Desplace la guía de centrado con la punta hacia delante hasta el tope de la conexión para avellanadores con aspiración de polvo.
2. Monte la conexión en el portaútiles conforme al montaje de las coronas perforadoras de diamante.
3. Desplace el anillo de bloqueo y la aspiración de polvo en dirección a la herramienta.
4. Monte el avellanador en la conexión.
5. Desplace la aspiración de polvo en dirección a la herramienta hasta que se ajuste a la corona de perforación y fije esta posición; para ello desplace el anillo de bloqueo en dirección al avellanador.
6. Compruebe que la aspiración de polvo puede girar libremente hacia la herramienta.

6.3.2 Corona de perforación

1. Monte la conexión para la corona de perforación con aspiración de polvo en el portaútiles conforme al montaje de las coronas perforadoras de diamante.
2. Monte la corona de perforación en la conexión.

6.4 Selección de la velocidad 5

PRECAUCIÓN

No conectar en funcionamiento. Espere a que el husillo se detenga por completo.

Seleccione la posición del interruptor en función del diámetro de taladrado correspondiente. Gire el acelerador girando simultáneamente la mano en la corona de perforación hasta alcanzar la posición recomendada (véase el capítulo Descripción).

6.5 Desmontaje de la corona perforadora de diamante



PRECAUCIÓN

La herramienta puede alcanzar temperaturas elevadas durante su utilización o al afilarla. Por consiguiente, puede quemarse las manos. **Utilice guantes de protección para cambiar de útil.**

PRECAUCIÓN

Extraiga el enchufe de red de la toma de corriente.

INDICACIÓN

Para los portaútiles BR, BT, M27, M16, fije el portaútiles y, a continuación, retire la corona de perforación con una llave de boca adecuada.

1. Abra el portaútiles (BI+) girando en dirección al símbolo de la abrazadera abierta.
2. Extraiga el casquillo de accionamiento en el portaútiles en el sentido de la flecha respecto a la herramienta. De este modo se desbloquea la corona de perforación.
3. Retire la corona de perforación.

ES

7 Manejo



ADVERTENCIA

Cerciórese de que ni el cable de red ni los tubos entren en contacto con piezas móviles.

PELIGRO

Al trabajar con coronas de perforación con ranuras tenga cuidado de no acercar los dedos a las ranuras.

PRECAUCIÓN

La herramienta y el proceso de taladrado generan ruido. **Utilice protección para los oídos.** Un ruido demasiado potente puede dañar los oídos.

PRECAUCIÓN

Durante los trabajos de taladrado puede desprenderse material peligroso. El material que sale disparado puede ocasionar lesiones en los ojos y en el cuerpo. **Utilice gafas y casco de protección.**

ADVERTENCIA

La herramienta tiene un par de giro demasiado elevado con respecto a su aplicación. **Utilice la empuñadura lateral y sujete siempre la herramienta con ambas manos.** El usuario debe estar preparado para cualquier bloqueo inesperado de la herramienta.

PELIGRO

El usuario debe estar preparado para cualquier bloqueo inesperado de la herramienta y tener los pies en una posición estable.

7.1 Protección antirrobo TPS (opcional)

INDICACIÓN

Si se desea, la herramienta puede equiparse con la función de "protección antirrobo". Si la herramienta está equipada con esta función, necesitará la llave de activación correspondiente para activarla y manejarla.

7.1.1 Activación de la herramienta

1. Asegúrese de que la herramienta está conectada a la alimentación eléctrica. El diodo amarillo de la protección antirrobo parpadea. La herramienta está lista para recibir la señal de la llave de activación.
2. Coloque la llave de activación o la hebilla del reloj TPS directamente en el símbolo del cerrojo. En cuanto se apague el diodo amarillo de la protección antirrobo, la herramienta estará activada.

INDICACIÓN Si se interrumpe la alimentación eléctrica, por ejemplo al cambiar de lugar de trabajo o al producirse un corte en la red eléctrica, la operatividad de la herramienta se mantiene durante aprox. 20 minutos. En caso de interrupciones más prolongadas, la herramienta debe activarse mediante la llave de activación.

7.1.2 Activación de la función de protección antirrobo para la herramienta

INDICACIÓN

La información relativa a la activación de la aplicación de protección antirrobo se encuentra en las instrucciones tituladas "Protección antirrobo".

7.2 Trabajar con aspiración de polvo

PRECAUCIÓN

Al trabajar, mantenga siempre la manguera de aspiración alejada y por detrás de la herramienta para evitar que entre en contacto con la corona de perforación.

PRECAUCIÓN

Para reciclar el material absorbido lea las instrucciones del aspirador.

INDICACIÓN

Para evitar efectos electrostáticos utilice un aspirador antiestático.

7.2.1 Aspirador con toma de corriente para herramientas eléctricas

PRECAUCIÓN

Al trabajar con aspiración de polvo no utilice coronas de perforación afiladas.

INDICACIÓN

Se pueden realizar los trabajos opcionales si se utiliza la guía de centrado de dos piezas.

1. Ajuste la empuñadura lateral en la posición deseada y fíjela.
2. Monte la guía de centrado (opcional).
3. Inserte el enchufe de red de la herramienta en la toma de corriente del aspirador.
4. Inserte el enchufe de red del aspirador en la toma de corriente.
5. Coloque la herramienta en el centro del taladro.
6. Presione el interruptor de conexión/desconexión de la herramienta eléctrica.

INDICACIÓN El aspirador arranca más tarde que la herramienta eléctrica. Tras desconectar la herramienta eléctrica el aspirador se desconecta más tarde.

7. Al empezar a taladrar presione ligeramente hasta que se centre la corona de perforación y a continuación aumente la presión. Haga un orificio inicial de 3-5 mm de profundidad (opcional).
8. Sostenga la herramienta soltando el interruptor de conexión/desconexión y espere hasta que la corona de perforación se haya detenido completamente (opcional).
9. Retire la guía de centrado de la corona de perforación (opcional).
10. Coloque la corona de perforación en el orificio inicial, presione el interruptor de conexión/desconexión y siga taladrando (opcional).

7.2.2 Aspirador sin toma de corriente para herramientas eléctricas

PRECAUCIÓN

Al trabajar con aspiración de polvo no utilice coronas de perforación afiladas.

INDICACIÓN

Se pueden realizar los trabajos opcionales si se utiliza la guía de centrado de dos piezas.

1. Coloque la empuñadura lateral en la posición deseada y fíjela.
2. Monte la guía de centrado (opcional).
3. Inserte el enchufe de red del aspirador en la toma de corriente y ponga en marcha el aspirador.

4. Inserte el enchufe de red de la herramienta en la toma de corriente.
5. Presione el interruptor de conexión/desconexión de la herramienta eléctrica.
6. Al empezar a taladrar presione ligeramente hasta que se centre la corona de perforación y a continuación aumente la presión. Haga un orificio inicial de 3-5 mm de profundidad (opcional).
7. Sostenga la herramienta soltando el interruptor de conexión/desconexión y espere hasta que la corona de perforación se haya detenido completamente (opcional).
8. Retire la guía de centrado de la corona de perforación (opcional).
9. Coloque la corona de perforación en el orificio inicial, presione el interruptor de conexión/desconexión y siga taladrando (opcional).
10. Deje que el aspirador siga funcionando unos segundos más que la herramienta antes de desconectarlo, para aspirar por completo el material restante.

7.3 Trabajar sin aspiración de polvo



INDICACIÓN

Utilice las coronas de perforación afiladas cuando taladre sin aspiración de polvo.

INDICACIÓN

Retire la aspiración de polvo o fíjelo para que no rote.

INDICACIÓN

Se pueden realizar los trabajos opcionales si se utiliza la guía de centrado de dos piezas.

PRECAUCIÓN

Si retira el testigo, extraiga el enchufe de red de la toma de corriente.

PELIGRO

Utilice una mascarilla ligera.

INDICACIÓN

Se producirá polvo en todas direcciones. Taladrar sin aspiración de polvo, en especial por encima de la cabeza, es muy desagradable y el rendimiento no es óptimo. Por tanto, no se recomienda taladrar por encima de la cabeza sin aspiración de polvo. Para taladrar en seco siempre es recomendable utilizar la aspiración de polvo con un aspirador adecuado.

1. Coloque la empuñadura lateral en la posición deseada y fíjela.
2. Monte la guía de centrado (opcional).
3. Inserte el enchufe de red en la toma de corriente.
4. Coloque la herramienta en el centro del taladro.
5. Presione el interruptor de conexión/desconexión de la herramienta eléctrica.

- Al empezar a taladrar presione ligeramente hasta que se centre la corona de perforación y a continuación aumente la presión. Haga un orificio inicial de 3-5 mm de profundidad (opcional).
- Sostenga la herramienta soltando el interruptor de conexión/desconexión y espere hasta que la corona de perforación se haya detenido completamente (opcional).
- Retire la guía de centrado de la corona de perforación (opcional).
- Coloque la corona de perforación en el orificio inicial, presione el interruptor de conexión/desconexión y siga taladrando (opcional).

7.4 Desconexión y desmontaje del sistema



PRECAUCIÓN

Utilice guantes de protección para cambiar de útil, ya que éste se calienta debido al uso.

PRECAUCIÓN

La corona de perforación está llena de polvo y material de perforación. **Asegúrese de tener una posición firme para soportar el peso adicional del material taladrado.**

INDICACIÓN

Transporte la herramienta preferiblemente en el maletín Hilti.

- Suelte el interruptor de conexión/desconexión de la herramienta eléctrica y retire despacio la corona de perforación del taladro.
- Desconecte el aspirador si es que ha utilizado alguno.
- Asegúrese de que la herramienta está desconectada de la corriente eléctrica.
- Retire el testigo en caso necesario.
- Retire la corona de perforación.

7.5 Actuación en caso de atascamiento de la corona perforadora

Si se atasca la corona perforadora, se activa el accoplamiento deslizante hasta que el usuario desconecta la herramienta. La corona perforadora puede soltarse realizando las siguientes acciones:

7.5.1 Extracción de la corona perforadora mediante llave de boca

- Extraiga el enchufe de red de la toma de corriente.
- Agarre la corona perforadora por la zona próxima al extremo de inserción con una llave de boca adecuada y suelte la corona girando la llave.
- Inserte el enchufe de red de la herramienta en la toma de corriente.
- Continúe con el proceso de perforación.

7.6 Transporte

PRECAUCIÓN

La herramienta no debe estar conectada a la corriente eléctrica.

INDICACIÓN

A ser posible, guarde y transporte la herramienta en un maletín.

8 Cuidado y mantenimiento

PRECAUCIÓN

Extraiga el enchufe de red de la toma de corriente.

8.1 Cuidado de las herramientas y las piezas de metal

Elimine la suciedad fuertemente adherida y proteja de corrosión la superficie de sus herramientas y de los portaútiles frotando de vez en cuando con un trapo empapado en aceite.

Mantenga siempre el extremo de inserción limpio y ligeramente engrasado.

8.2 Cuidado de la herramienta

PRECAUCIÓN

Mantenga la herramienta seca, limpia y libre de aceite y grasa, en especial las superficies de la empuñadura. No utilice productos de limpieza que contengan silicona.

No utilice nunca la herramienta si esta tiene obstruidas las rejillas de ventilación. Limpie cuidadosamente la re-

jilla de ventilación con un cepillo seco. Evite que entren cuerpos extraños en el interior de la herramienta. Limpie regularmente el exterior de la herramienta con un paño ligeramente humedecido. No utilice pulverizadores, aparatos de chorro de vapor o agua corriente para la limpieza, ya que podría mermar la seguridad eléctrica de la herramienta.

8.3 Mantenimiento

ADVERTENCIA

La reparación de los componentes eléctricos sólo puede llevarla a cabo un técnico electricista cualificado.

Compruebe regularmente que ninguna de las partes exteriores de la herramienta esté dañada y que todos los elementos de manejo se encuentren en perfecto estado de funcionamiento. No use la herramienta si alguna de las piezas está dañada o si alguno de los elementos de manejo no funciona correctamente. Encargue la reparación de la herramienta al servicio técnico de Hilti.

8.4 Sustitución de las escobillas de carbón 7

INDICACIÓN

El indicador luminoso con el símbolo de la llave de boca se ilumina cuando se precisa un cambio de las escobillas de carbón.

PELIGRO

Las operaciones de manejo, mantenimiento y reparación correrán a cargo exclusivamente de personal debidamente cualificado. Este personal debe estar especialmente instruido en lo referente a los riesgos de uso. Si no se observan las siguientes indicaciones se corre riesgo de entrar en contacto con tensión eléctrica peligrosa.

1. Desenchufe la herramienta de la red.
2. Abra las cubiertas de las escobillas de carbón a la izquierda y a la derecha del motor.

3. Asegúrese de que las escobillas de carbón y las trencillas quedan bien montadas. Extraiga las escobillas de carbón usadas de la herramienta.
4. Coloque las nuevas escobillas de carbón tal y como estaban colocadas las antiguas escobillas (número de pieza de recambio: escobillas de carbón AO ML 100-127 V: 39577).

INDICACIÓN Al montarlas, cerciórese de que no dañe el aislante de las trencillas de señalización.

5. Atornille las cubiertas de las escobillas de carbón a la izquierda y a la derecha del motor.

INDICACIÓN El indicador luminoso se apaga después de cambiar las escobillas de carbón cuando se vuelve a conectar la herramienta a la red.

8.5 Control después de las tareas de cuidado y mantenimiento

Una vez realizadas las tareas de cuidado y mantenimiento debe comprobarse si están colocados todos los dispositivos de protección y si estos funcionan correctamente.

9 Localización de averías

Fallo	Posible causa	Solución
La herramienta no se pone en marcha.	El suministro de corriente se interrumpe.	Enchufe otra herramienta eléctrica y compruebe si funciona; revise las conexiones de enchufes, la conducción de corriente eléctrica y la red.
	Escobillas de carbón desconectadas	Sustituya las escobillas de carbón Véase el capítulo: 8.4 Sustitución de las escobillas de carbón 7
	Interruptor de conexión y desconexión defectuoso	Encargue la reparación de la herramienta al servicio técnico de Hilti
	Alimentación de corriente interrumpida	Compruebe el cable de red, el aspirador, el alargador y el conector de red y, en caso necesario, encargue su sustitución a personal técnico cualificado.
	Sistema electrónico defectuoso	Encargue la reparación de la herramienta al servicio técnico de Hilti
La herramienta no funciona y el indicador de funcionamiento está encendido.	Escobillas de carbón desgastadas	Sustituya las escobillas de carbón Véase el capítulo: 8.4 Sustitución de las escobillas de carbón 7
La herramienta no funciona, las escobillas de carbón se han cambiado, el indicador de funcionamiento está encendido.	Existe un fallo en la herramienta.	Encargue la reparación de la herramienta al servicio técnico de Hilti.
El indicador de funcionamiento está encendido.	Escobillas de carbón desgastadas; aún pueden quedar unas horas de funcionamiento.	Las escobillas de carbón deben cambiarse. Véase el capítulo: 8.4 Sustitución de las escobillas de carbón 7
El indicador de funcionamiento parpadea.	Error de número de revoluciones	Encargue la reparación de la herramienta al servicio técnico de Hilti.
La herramienta no funciona, el indicador de protección antirrobo parpadea en amarillo.	La herramienta no está activada (opcional en herramientas con protección antirrobo).	Active la herramienta con la llave de activación.

Fallo	Posible causa	Solución
El motor funciona. La corona perforadora de diamante no gira	Interruptor del cambio no enclavado	Accione el interruptor del cambio hasta asegurarse de la posición de enclavamiento
	Engranajes defectuosos	Encargue la reparación de la herramienta al servicio técnico de Hilti
La velocidad de perforación disminuye	Corona perforadora de diamante pulida	Afilar la corona perforadora de diamante en la placa afiladora
	Corona perforadora de diamante pulida	Especificación de corona perforadora errónea; solicite asesoramiento a Hilti
	El testigo se atasca en la corona perforadora de diamante	Retire el testigo
	Profundidad máxima de perforación alcanzada.	Retire el testigo y utilice el alargador de la corona de perforación.
	Corona perforadora de diamante defectuosa	Compruebe la presencia de daños en la corona perforadora de diamante y sustitúyala en caso necesario
	El acoplamiento deslizante se desacopla muy pronto o patina	Encargue la reparación de la herramienta al servicio técnico de Hilti
No es posible colocar la corona perforadora de diamante en el portaútiles	El polvo impide que se pueda seguir perforando	Utilice una aspiración adecuada
	Conexión/portaútiles sucio o dañado	Limpie la conexión/portaútiles o sustitúyala en caso necesario
El sistema de perforación tiene demasiado juego	Atornillado insuficiente de la corona de perforación en el portaútiles	Atornille debidamente
	Conexión defectuosa	Controle la conexión y sustitúyala en caso necesario

10 Reciclaje



Las herramientas Hilti están fabricadas en su mayor parte con materiales reutilizables. La condición para dicha reutilización es una separación de materiales adecuada. En muchos países, Hilti ya dispone de un servicio de recogida de la herramienta usada. Póngase en contacto con el servicio de atención al cliente de Hilti o con su asesor de ventas.

11 Garantía del fabricante de las herramientas

Si tiene alguna consulta acerca de las condiciones de la garantía, póngase en contacto con su sucursal local de Hilti.

Sistema de perfuração diamantado DD 110-D

Antes de utilizar a ferramenta, por favor leia atentamente o manual de instruções.

Conserve o manual de instruções sempre junto da ferramenta.

Entregue a ferramenta a outras pessoas apenas juntamente com o manual de instruções.

Índice	Página
1 Informações gerais	39
2 Descrição	40
3 Acessórios	41
4 Características técnicas	42
5 Normas de segurança	42
6 Antes de iniciar a utilização	45
7 Utilização	46
8 Conservação e manutenção	49
9 Avarias possíveis	49
10 Reciclagem	51
11 Garantia do fabricante - Ferramentas	51

1 Estes números referem-se a figuras. Estas encontram-se nas contracapas desdobráveis. Ao ler as instruções, mantenha as contracapas abertas.

Neste manual de instruções, a palavra «ferramenta» refere-se sempre ao sistema de perfuração diamantada DD 110-D.

Componentes, comandos operativos e elementos de indicação 1

Sistema de perfuração diamantada DD 110-D

- ① Punho auxiliar
- ② Selector de velocidades
- ③ Engrenagem
- ④ Motor
- ⑤ Tampa das escovas de carvão
- ⑥ Indicador de manutenção
- ⑦ Interruptor on/off
- ⑧ Punho
- ⑨ Cabo de rede
- ⑩ Mandril
- ⑪ Equipamento opcional: TPS

pt

1 Informações gerais

1.1 Indicações de perigo e seu significado

PERIGO

Indica perigo iminente que pode originar acidentes pessoais graves ou até mesmo fatais.

AVISO

Indica uma situação potencialmente perigosa que pode causar graves ferimentos pessoais, até mesmo fatais.

CUIDADO

Indica uma situação potencialmente perigosa que pode originar ferimentos ligeiros ou danos na ferramenta ou noutros materiais.

NOTA

Indica instruções ou outras informações úteis.

1.2 Significado dos pictogramas e outras notas

Sinais de aviso



Perigo geral



Perigo: electricidade



Perigo: superfície quente

Sinais de obrigação



Use óculos de protecção



Use capacete de segurança



Use protecção auricular



Use luvas de protecção



Use máscara antipoeiras



Calce botas de segurança



Leia o manual de instruções antes de utilizar o aparelho.

Símbolos

RPM /min

Rotações
por minuto

Rotações
por minuto



Símbolo de
bloqueio
(cadeado)



Equipado
com sistema
de protecção
anti-roubo



Indicador de
manutenção



Recicle os
materiais

Localização da informação na ferramenta

A designação e o número de série da ferramenta constam da placa de características. Anote estes dados no seu manual de instruções e faça referência a estas indicações sempre que necessitar de qualquer peça/acessório para a ferramenta.

Tipo:

Número de série:

2 Descrição

2.1 Utilização correcta

O DD 110-D é um perfurador diamantado eléctrico de utilização manual concebido para a perfuração a seco em alvenaria com coroas diamantadas de perfuração e coroas diamantadas de abrir tomadas.

A ferramenta não é apropriada para perfurar betão ou betão armado.

Não é permitido perfurar materiais que produzem pós condutores de corrente e/ou inflamáveis (por exemplo, madeira, magnésio, etc.).

Utilize sempre que possível um removedor de pó móvel adequado à respectiva aplicação, por exemplo o aspirador Hilti VCU 50.

Para evitar ferimentos, use apenas coroas de perfuração e acessórios DD 110-D originais Hilti.

Observe igualmente as instruções de utilização e segurança dos acessórios.

Leia as instruções contidas neste manual sobre utilização, conservação e manutenção da ferramenta.

A ferramenta foi concebida para uso profissional e só deve ser utilizada, feita a sua manutenção e reparada por pessoal autorizado e devidamente credenciado. Estas pessoas deverão ser informadas sobre os potenciais perigos que a ferramenta representa. A ferramenta e seu equipamento auxiliar podem representar perigo se usados incorrectamente por pessoas não qualificadas ou se usados para fins diferentes daqueles para os quais foram concebidos.

A ferramenta é apropriada para trabalhar em obra, em oficina, em trabalhos de renovação, reconstrução e construção de raiz.

Certifique-se de que a corrente eléctrica à qual a ferramenta é ligada está de acordo com a mencionada na placa de características.

Materiais nocivos para a saúde (p.ex., amianto) não podem ser trabalhados.

Não é permitida a modificação ou manipulação da ferramenta.

2.2 Aplicação com diferentes equipamentos

Tipos de perfuração para DD 110-D	Coroas de perfuração ϕ	Direcção da perfuração	Material base
Furos de atravessamento	16...162 mm ($\frac{5}{8}$ "...6 $\frac{1}{2}$ "")	Todas as direcções	Alvenaria (por exemplo, bloco de arenito calcário, tijolo, etc.)
Furos cegos / abrir caixas para tomadas	16...162 mm ($\frac{5}{8}$ "...6 $\frac{1}{2}$ "")	Todas as direcções	Alvenaria (por exemplo, bloco de arenito calcário, tijolo, etc.)

2.3 Tabela das velocidades e dos diâmetros de coroa correspondentes

Velocidade	Coroas de perfuração PCM	Coroas de perfuração HDM	Velocidade de rotação em vazio
1	42...162 mm (1 $\frac{5}{8}$ " ... 6 $\frac{1}{2}$ "")	102...162 mm (4" ... 6 $\frac{1}{2}$ "")	650/min

Velocidade	Coroas de perfuração PCM	Coroas de perfuração HDM	Velocidade de rotação em vazio
2		16...87 mm (5/8" ... 3 1/2")	1 380/min

2.4 Sistema de protecção anti-roubo TPS (opcional)

A ferramenta está preparada para a instalação da função "Protecção anti-roubo TPS" como opção. Se a ferramenta estiver equipada com esta função, só pode ser activada e preparada para ser utilizada através da respectiva chave de activação.

2.5 Incluído no fornecimento do equipamento padrão:

- 1 Ferramenta com punho auxiliar e mandril
- 1 Manual de instruções
- 1 Mala ou caixa de cartão Hilti

2.6 Utilização de extensões de cabo

Utilize apenas extensões de cabo aprovadas para o tipo de aplicação em causa e com a secção adequada.

Secções de cabo mínimas e comprimentos máximos recomendados:

Secção do cabo	14 AWG	12 AWG
Tensão de rede 110-120 V	50 ft	150 ft

Não utilize extensões de cabo com secções de 16 AWG.

2.7 Utilização de um gerador ou transformador

Esta ferramenta pode ser alimentada por um gerador ou transformador se as seguintes condições forem reunidas: potência de saída, em watt, no mínimo o dobro da potência indicada na placa de características da ferramenta, a tensão em carga deverá estar entre os +5 % e os -15 % da tensão nominal e a frequência deverá estar entre 50 e 60 Hz; e nunca superior a 65 Hz. Deve utilizar-se um regulador automático de tensão com arrancador.

NOTA

Ligar outras ferramentas ou dispositivos pode provocar variações na voltagem (falha ou sobrecarga), causando danos na ferramenta. O gerador ou transformador nunca deve ser usado para alimentar outros equipamentos em simultâneo.

3 Acessórios

Designação	Código do artigo, descrição
Sistema de protecção anti-roubo TPS (Theft Protection System) com cartão de identificação da empresa, controlo remoto e chave de activação TPS-K	opcional
Sistema de remoção de pó	315773
Mandril M16	315774
Mandril BI+	315791
Mandril BR	315792
Mandril BT	315793
Mandril de coroa dentada	315794
Mandril de aperto rápido	315795
Encabadouro M27 para coroas de abrir tomadas	315805
Encabadouro BI+ para coroas de abrir tomadas	315806
Encabadouro M27 para coroas de perfuração	315807

Designação	Código do artigo, descrição
Encabadouro BI+ para coroas de perfuração	315824
Punho auxiliar	315825
Sistema de remoção de pó com encabadouro BI+ para coroas de perfuração	315826
Sistema de remoção de pó com encabadouro M27 para coroas de perfuração	315827
Sistema de remoção de pó com encabadouro BI+ para coroas de abrir tomadas	315828
Sistema de remoção de pó com encabadouro M27 para coroas de abrir tomadas	331621
Guias de perfuração para coroas de abrir tomadas	281318
Guias de perfuração para coroas de abrir tomadas BI+	209661

4 Características técnicas

Reservamo-nos o direito de proceder a alterações técnicas!

Ferramenta	DD 110-D
Tensão nominal	120 V
Corrente nominal	14,1 A
Frequência	60 Hz
Velocidade de rotação em vazio 1.ª velocidade	650/min
Velocidade de rotação em vazio 2.ª velocidade	1 380/min

Outras informações sobre a ferramenta

Dimensões (C x L x A)	446 mm (17,56") x 120 mm (4,72") x 170 mm (6,69")
Peso	5,1 kg (11,24 lb)
Classe de protecção	II

5 Normas de segurança

5.1 Normas de segurança gerais para ferramentas eléctricas

a) AVISO

Leia todas as normas de segurança e instruções. O não cumprimento das normas de segurança e instruções pode resultar em choque eléctrico, incêndio e/ou lesões graves. **Guarde bem todas as normas de segurança e instruções para futura referência.** O termo "ferramenta eléctrica" utilizado nas normas de segurança refere-se a ferramentas com ligação à corrente eléctrica (com cabo de alimentação) ou ferramentas a bateria (sem cabo).

5.1.1 Segurança no posto de trabalho

- a) **Mantenha a sua área de trabalho limpa e bem iluminada.** Locais desarrumados ou mal iluminados podem ocasionar acidentes.

- b) **Não utilize a ferramenta eléctrica em ambientes explosivos ou na proximidade de líquidos ou gases inflamáveis.** Ferramentas eléctricas produzem faíscas que podem provocar a ignição de pó e vapores.
- c) **Mantenha crianças e terceiros afastados durante os trabalhos.** Distracções podem conduzir à perda de controlo sobre a ferramenta.

5.1.2 Segurança eléctrica

- a) **A ficha da ferramenta eléctrica deve servir na tomada. A ficha não deve ser modificada de modo algum. Não utilize quaisquer adaptadores com ferramentas eléctricas com ligação terra.** Fichas originais (não modificadas) e tomadas adequadas reduzem o risco de choque eléctrico.
- b) **Evite o contacto do corpo com superfícies ligadas à terra, como, por exemplo, canos, radiadores,**

fogões e frigoríficos. Existe um risco elevado de choque eléctrico se o corpo estiver em contacto com a terra.

- c) **As ferramentas eléctricas não devem ser expostas à chuva nem à humidade.** A infiltração de água numa ferramenta eléctrica aumenta o risco de choque eléctrico.
- d) **Não use o cabo para transportar, arrastar ou desligar a ferramenta eléctrica da tomada. Mantenha o cabo afastado de calor, óleo, arestas vivas ou partes em movimento da ferramenta.** Cabos danificados ou emaranhados aumentam o risco de choque eléctrico.
- e) **Quando operar uma ferramenta eléctrica ao ar livre, utilize apenas cabos de extensão próprios para utilização no exterior.** A utilização de cabos de extensão próprios para exterior reduz o risco de choque eléctrico.
- f) **Utilize um disjuntor diferencial se não puder ser evitada a utilização da ferramenta eléctrica em ambiente húmido.** A utilização de um disjuntor diferencial reduz o risco de choque eléctrico.

5.1.3 Segurança física

- a) **Esteja alerta, observe o que está a fazer, e tenha prudência ao trabalhar com uma ferramenta eléctrica.** Não use qualquer ferramenta eléctrica se estiver cansado ou sob a influência de drogas, álcool ou medicamentos. Um momento de distração ao operar a ferramenta eléctrica pode causar ferimentos graves.
- b) **Use equipamento de segurança. Use sempre óculos de protecção.** Equipamento de segurança, como, por exemplo, máscara antipoeiras, sapatos de segurança antiderrapantes, capacete de segurança ou protecção auricular, de acordo com o tipo e aplicação da ferramenta eléctrica, reduzem o risco de lesões.
- c) **Evite um arranque involuntário. Assegure-se de que a ferramenta eléctrica está desligada antes de a ligar à fonte de alimentação e/ou à bateria, pegar nela ou a transportar.** Transportar a ferramenta eléctrica com o dedo no interruptor ou ligar uma ferramenta à tomada com o interruptor ligado (ON) pode resultar em acidentes.
- d) **Remova quaisquer chaves de ajuste (chaves de fenda), antes de ligar a ferramenta eléctrica.** Um acessório ou chave deixado preso numa parte rotativa da ferramenta pode causar ferimentos.
- e) **Evite posturas corporais desfavoráveis. Mantenha sempre uma posição correcta, em perfeito equilíbrio.** Desta forma será mais fácil manter o controlo sobre a ferramenta eléctrica em situações inesperadas.
- f) **Use roupa apropriada. Não use roupa larga ou jóias. Mantenha o cabelo, vestuário e luvas afastados das peças móveis.** Roupas largas, jóias ou cabelos compridos podem ficar presos nas peças móveis.
- g) **Se poderem ser montados sistemas de aspiração e de recolha de pó, assegure-se de que estão ligados e são utilizados correctamente.** A utilização

de um sistema de remoção de pó pode reduzir os perigos relacionados com a exposição ao mesmo.

5.1.4 Utilização e manuseamento da ferramenta eléctrica

- a) **Não sobrecarregue a ferramenta. Use para o seu trabalho a ferramenta eléctrica correcta.** Com a ferramenta eléctrica adequada obterá maior eficiência e segurança se respeitar os seus limites.
- b) **Não utilize a ferramenta eléctrica se o interruptor estiver defeituoso.** Uma ferramenta eléctrica que já não possa ser accionada pelo interruptor é perigosa e deve ser reparada.
- c) **Retire a ficha da tomada e/ou remova a bateria antes de efectuar ajustes na ferramenta, substituir acessórios ou guardar a ferramenta eléctrica.** Esta medida preventiva evita o accionamento acidental da ferramenta eléctrica.
- d) **Guarde ferramentas eléctricas não utilizadas fora do alcance das crianças. Não permita que a ferramenta seja utilizada por pessoas não qualificadas ou que não tenham lido estas instruções.** Ferramentas eléctricas operadas por pessoas não treinadas são perigosas.
- e) **Faça uma manutenção regular das ferramentas eléctricas. Verifique se as partes móveis funcionam perfeitamente e não emperram ou se há peças quebradas ou danificadas que possam influenciar o funcionamento da ferramenta eléctrica. Peças danificadas devem ser reparadas antes da utilização da ferramenta.** Muitos acidentes são causados por ferramentas eléctricas com manutenção deficiente.
- f) **Mantenha as ferramentas de corte sempre afiadas e limpas.** Ferramentas de corte com gumes afiados tratadas correctamente emperram menos e são mais fáceis de controlar.
- g) **Utilize a ferramenta eléctrica, acessórios, bits, etc., de acordo com estas instruções. Tome também em consideração as condições de trabalho e o trabalho a ser efectuado.** A utilização da ferramenta eléctrica para outros fins além dos previstos, pode ocasionar situações de perigo.

5.1.5 Reparação

- a) **A sua ferramenta eléctrica só deve ser reparada por pessoal qualificado e só devem ser utilizadas peças sobressalentes originais.** Isto assegurará que a segurança da ferramenta eléctrica se mantenha.

5.2 Normas de segurança para berbequins

- a) **Ao furar com percussão, use protecção auricular.** Ruído em excesso pode levar à perda de audição.
- b) **Utilize os punhos auxiliares fornecidos com a ferramenta.** A perda de controlo da ferramenta pode causar ferimentos.
- c) **Segure a ferramenta pelas áreas isoladas dos punhos, quando executar trabalhos onde o acessório pode encontrar cabos eléctricos encobertos ou o próprio cabo de rede.** O contacto com um

cabo sob tensão também pode colocar partes metálicas da ferramenta sob tensão e causar um choque eléctrico

5.3 Normas de segurança adicionais

5.3.1 Segurança física

- a) **Mantenha os punhos secos, limpos e isentos de óleos e massas.**
- b) **Se a ferramenta for utilizada sem o dispositivo de aspiração de poeira, é indispensável colocar uma máscara antipoeiras.**
- c) **Faça pausas para relaxar os músculos e melhorar a circulação sanguínea nas mãos.**
- d) **Evite o contacto com peças rotativas. Ligue a ferramenta apenas quando estiver no local de trabalho.** O contacto com peças rotativas, nomeadamente brocas, discos, lâminas, etc. pode causar ferimentos.
- e) **Durante o trabalho, mantenha o cabo de alimentação, a extensão e, em caso de necessidade, também o tubo flexível do aspirador sempre na parte de trás da ferramenta.** Evita assim tropeçar nos cabos ou tubo durante os trabalhos.
- f) **Deve ensinar-se às crianças que não podem brincar com a ferramenta.**
- g) **A ferramenta não está concebida para a utilização por crianças ou pessoas debilitadas sem formação.**

5.3.2 Utilização e manutenção de ferramentas eléctricas

- a) **Para maior segurança e porque assim fica com ambas as mãos livres para segurar a ferramenta, use grampos ou um torno para segurar peças soltas.**
- b) **Verifique se os acessórios utilizados são compatíveis com o sistema de encaixe e se estão correctamente encaixados.**
- c) **Em caso de corte de energia, desligue a ferramenta e retire a ficha da tomada.** Isto impede que a ferramenta seja colocada involuntariamente em funcionamento quando o corte de energia é reparado.

5.3.3 Segurança eléctrica



- a) **Antes de iniciar os trabalhos, verifique o local de trabalho relativamente a cabos eléctricos encoberertos, bem como tubos de gás e água, p.ex., com um detector de metais.** Partes metálicas externas da ferramenta podem transformar-se em condutores de corrente se, p.ex., uma linha eléctrica for danificada inadvertidamente. Isto representa um sério perigo de choque eléctrico.
- b) **Verifique regularmente o cabo eléctrico. Se danificado, o cabo deve ser imediatamente substituído por um especialista. Quando o cabo de ligação da ferramenta eléctrica está danificado, deve ser**

substituído por um cabo de ligação preparado e especificamente autorizado, que se encontra disponível através do Serviço de Clientes Hilti. Verifique as extensões de cabo regularmente. Se estiverem danificadas, deverão ser substituídas. Se danificar o cabo enquanto trabalha, não lhe toque e desligue o equipamento imediatamente. Desligue a ferramenta da corrente. Linhas de conexão e extensões danificadas representam um risco de choque eléctrico.

- c) **Se trabalhar com uma ferramenta eléctrica no exterior, certifique-se de que a ferramenta está ligada à rede eléctrica por meio de um disjuntor diferencial (GFCI) com uma corrente de disparo de, no máximo, 30 mA.** A utilização de um disjuntor diferencial reduz o risco de choque eléctrico.
- d) **Por princípio, recomendamos a utilização de um disjuntor diferencial (GFCI) com uma corrente de disparo de, no máximo, 30 mA.**

5.3.4 Local de trabalho

- a) **Assegure-se de que o local de trabalho está bem ventilado.** Áreas de trabalho mal ventiladas podem suscitar problemas de saúde devido à inalação de pó.
- b) **Conecte um sistema de remoção de pó ao executar trabalhos que originam pó. Materiais nocivos para a saúde (p. ex., amianto) não podem ser perfurados.**
- c) **AVISO: Alguns tipos de pó que são produzidos ao desbastar, rebarbar, cortar e furar, contêm agentes químicos conhecidos pelos seus efeitos cancerígenos e teratogénicos, que podem provocar esterilidade e danos permanentes das vias respiratórias ou outros danos.** Alguns desses agentes químicos são chumbo contido em tinta de chumbo, quartzo cristalino proveniente de tijolos, betão, alvenaria ou pedras naturais, ou, também, arsénio e crómio provenientes de madeira de construção tratada quimicamente. A perigosidade para si varia, consoante a frequência com que efectua estes trabalhos. **Para minimizar a exposição a estes agentes químicos, os utilizadores e terceiros devem trabalhar num espaço bem ventilado, bem como usar equipamentos de segurança apropriados. Use uma máscara antipoeiras adequada para determinados pós, que possa filtrar partículas microscópicas e manter o pó afastado da face e do corpo. Evite o contacto permanente com pó. Use vestuário de protecção e lave a área da pele afectada com água e sabão.** A absorção de pó através da boca, do nariz, dos olhos ou o contacto permanente dos pós com a pele pode promover a absorção de agentes químicos com risco de efeitos graves para a saúde.

5.3.5 Equipamento de protecção pessoal



Em caso de formação de pó, o operador e restantes pessoas que se encontrem na proximidade da

ferramenta devem usar óculos de protecção em conformidade com a norma ANSI Z87.1, capacete de segurança, protecção auricular, luvas de protecção, sapatos/botas de segurança e máscara antipoeiras.

pt

6 Antes de iniciar a utilização



CUIDADADO

A corrente eléctrica deve corresponder à indicada na placa de características da ferramenta. Certifique-se de que a ferramenta está desligada da corrente eléctrica.

PERIGO

Ao efectuar furos de atravessamento através de paredes, proteja a área atrás da parede, visto que material ou a carote podem cair para trás. Ao efectuar furos de atravessamento através de tectos, proteja a área situada por baixo, visto que material ou a carote podem cair para baixo.

CUIDADADO

Certifique-se de que, durante o transporte, a ferramenta esteja desligada da corrente eléctrica. Desligue a ferramenta da corrente.

6.1 Posicionar o punho auxiliar 2

CUIDADADO

Desligue a ferramenta da corrente.

1. Abra a abraçadeira de aperto do punho auxiliar, rodando o punho.
2. Regule a posição do punho.
3. Aperte bem o punho auxiliar, rodando-o.

6.2 Montar a coroa diamantada 3



PERIGO

Não utilize acessórios danificados. Antes de cada utilização, examine os acessórios em relação a fragmentos e fissuras, desgaste ou forte deterioração.

Não utilize ferramentas danificadas. Fragmentos da peça a trabalhar ou de acessórios partidos podem ser projectados e provocar ferimentos mesmo para além da zona de trabalho imediata.

NOTA

Coroas diamantadas têm de ser substituídas logo que a capacidade de corte ou o avanço da perfuração diminuir perceptivelmente. Isso acontece em geral quando a altura dos segmentos diamantados é inferior a 1/16".

CUIDADADO

Para evitar ferimentos, use apenas coroas de perfuração e acessórios DD 110-D originais Hilti. Para ferramentas com um mandril BI+ apenas são permitidas coroas de perfuração originais Hilti.

CUIDADADO

A coroa pode aquecer durante a utilização ou durante a afiação. Poderá queimar as mãos. Use luvas de protecção para a troca do acessório.

CUIDADADO

Desligue a ferramenta da corrente.

CUIDADADO

Certifique-se de que a guia de perfuração está bem colocada na coroa de perfuração.

CUIDADADO

Em caso de utilização da guia de perfuração, não opere a ferramenta em vazio sem contacto com o material base.

NOTA

Os mandris BR, BT, M16 e M27 são aplicados com uma chave de bocas própria.

O mandril, o adaptador e a ferramenta devem estar livres de sujidade.

1. Abra o mandril (BI+) rodando-o no sentido do símbolo "aberto" (grampo aberto).
2. Insira a coroa diamantada a partir da frente no dentado do mandril (BI+) na ferramenta e rode-a até que engrene.
3. Feche o mandril (BI+) rodando-o no sentido do símbolo "fechado" (grampo fechado).
4. Certifique-se de que a coroa está fixa no mandril (verifique puxando-a para fora).

6.3 Montar o sistema de remoção de pó (opcional)

6.3.1 Coroas de abrir tomadas 4

1. Introduza a guia de perfuração, com a ponta virada para a frente, no encabadouro para coroas de abrir tomadas com sistema de remoção de pó até encostar.
2. Monte o encabadouro no mandril de acordo com a montagem da coroa diamantada.
3. Empurre o anel de bloqueio e o sistema de remoção de pó para trás, na direcção da ferramenta.
4. Monte a coroa de abrir tomadas no encabadouro.
5. Empurre o sistema de remoção de pó no sentido da ferramenta até encostar à coroa de perfuração e fixe-o nesta posição, empurrando o anel de bloqueio no sentido da coroa de abrir tomadas.
6. Verifique a liberdade de rotação do sistema de remoção de pó em relação à ferramenta.

6.3.2 Coroa de perfuração

1. Monte o encabadouro para a coroa de perfuração com sistema de remoção de pó no mandril de acordo com a montagem da coroa diamantada.
2. Monte a coroa de perfuração no encabadouro.

6.4 Seleccionar a rotação 5

CUIDADO

Não comute a velocidade com o motor em movimento. Espere até que a rotação pare.

Selecione a velocidade de acordo com o diâmetro da coroa utilizada. Mova o selector de velocidades para a velocidade recomendada enquanto faz rodar a coroa manualmente (consultar o capítulo Descrição).

6.5 Desmontar a coroa diamantada



CUIDADO

A coroa pode aquecer durante a utilização ou durante a afiação. Poderá queimar as mãos. **Use luvas de protecção para a troca do acessório.**

CUIDADO

Desligue a ferramenta da corrente.

NOTA

Para mandris BR, BT, M27 e M16, fixe o mandril e remova então a coroa com uma chave de bocas adequada a cada peça.

1. Abra o mandril (BI+) rodando-o no sentido do símbolo "aberto" (grampo aberto).
2. Puxe o anel na base do mandril na direcção da ferramenta (seta). Isto destrava a coroa de perfuração.
3. Retire a coroa de perfuração.

7 Utilização



AVISO

Certifique-se de que o cabo de alimentação e manjeiras não entram em contacto com peças em rotação.

PERIGO

Ao trabalhar com coroas de perfuração fendidas, preste atenção para não enfiar os dedos nas fendas.

CUIDADO

A ferramenta e o processo de perfuração produzem ruído. **Use protecção auricular.** Ruído em excesso pode levar à perda de audição.

CUIDADO

O processo de perfuração pode dar origem a estilhaços perigosos. Material fragmentado pode causar ferimentos no corpo e nos olhos. **Use óculos de protecção e um capacete de segurança.**

AVISO

A ferramenta possui, em conformidade com as suas aplicações, um torque (binário) elevado. **Utilize a ferramenta com o punho auxiliar e segure-a sempre com ambas as mãos.** O operador tem de estar preparado para a eventualidade de a ferramenta bloquear repentinamente.

PERIGO

O operador tem de estar preparado para a eventualidade de a ferramenta bloquear repentinamente e ter uma posição de trabalho absolutamente segura com ambos os pés.

7.1 Sistema de protecção anti-roubo TPS (opcional)

NOTA

A ferramenta está preparada para a instalação da função "Protecção anti-roubo" como opção. Se a ferramenta estiver equipada com esta função, só pode ser activada e preparada para ser utilizada através da respectiva chave de activação.

7.1.1 Activar a ferramenta

1. Assegure-se de que a ferramenta está a ser alimentada com tensão de rede. A luz indicadora amarela do sistema de protecção anti-roubo pisca. A ferramenta está agora pronta para receber o sinal da chave de activação.
2. Coloque a chave de activação ou a fivela do relógio TPS directamente sobre o símbolo de bloqueio (cadeado). A ferramenta é activada e está pronta para ser utilizada assim que a luz indicadora tiver apagado.

NOTA Quando se desliga a ferramenta por um curto espaço de tempo, por exemplo, ao mudar de local de trabalho ou em caso de corte de energia, esta mantém-se operacional por, aproximadamente, 20 minutos. Quando a interrupção é mais prolongada, é necessário activar de novo a ferramenta através da chave de activação.

7.1.2 Activação da função de protecção anti-roubo para a ferramenta

NOTA

No manual de instruções "Sistema de protecção anti-roubo", poderá encontrar informações relativas à activação e emprego do sistema de protecção anti-roubo.

7.2 Trabalhar com o sistema de remoção de pó

CUIDADO

Durante o trabalho, mantenha o tubo flexível de aspiração sempre na parte de trás da ferramenta para não poder entrar em contacto com coroa de perfuração.

CUIDADO

Em relação à remoção do material aspirado, leia o manual de instruções dos aspiradores.

NOTA

Utilize um aspirador antiestático para evitar efeitos electrostáticos.

7.2.1 Aspirador com tomada de rede para ferramentas eléctricas

CUIDADO

Não utilize coroas de perfuração fendidas ao trabalhar com o sistema de remoção de pó.

NOTA

As acções opcionais devem ser realizadas em caso de utilização da guia de perfuração de duas peças.

1. Ajuste o punho auxiliar para a posição pretendida e fixe-o.
2. Monte a guia de perfuração (opcional).
3. Ligue a ficha de rede da ferramenta na tomada do aspirador.
4. Ligue o aspirador à corrente eléctrica.
5. Posicione a ferramenta no centro da furação.
6. Pressione o interruptor on/off da ferramenta eléctrica.
NOTA O aspirador arranca com atraso depois da ferramenta eléctrica. Depois de desligada a ferramenta eléctrica, o aspirador desliga com atraso.
7. Aplique uma ligeira pressão até que a coroa esteja centrada e só depois aumente a pressão gradualmente. Abra um corte inicial com uma profundidade de 3 a 5 mm (opcional).
8. Pare a ferramenta soltando o interruptor on/off e aguarde até que a coroa de perfuração esteja completamente imobilizada (opcional).
9. Retire a guia da coroa de perfuração (opcional).
10. Posicione a coroa de perfuração no corte inicial, pressione o interruptor on/off e prossiga com a perfuração (opcional).

7.2.2 Aspirador sem tomada de rede para ferramentas eléctricas

CUIDADO

Não utilize coroas de perfuração fendidas ao trabalhar com o sistema de remoção de pó.

NOTA

As acções opcionais devem ser realizadas em caso de utilização da guia de perfuração de duas peças.

1. Ajuste o punho auxiliar para a posição pretendida e fixe-o.
2. Monte a guia de perfuração (opcional).
3. Ligue a ficha do aspirador à corrente eléctrica e ligue o aspirador.
4. Ligue a ferramenta à corrente eléctrica.
5. Pressione o interruptor on/off da ferramenta eléctrica.
6. Aplique uma ligeira pressão até que a coroa esteja centrada e só depois aumente a pressão gradualmente. Abra um corte inicial com uma profundidade de 3 a 5 mm (opcional).
7. Pare a ferramenta soltando o interruptor on/off e aguarde até que a coroa de perfuração esteja completamente imobilizada (opcional).
8. Retire a guia da coroa de perfuração (opcional).
9. Posicione a coroa de perfuração no corte inicial, pressione o interruptor on/off e prossiga com a perfuração (opcional).
10. Antes de o desligar, deixe o aspirador trabalhar durante mais alguns segundos do que a ferramenta, para ainda poder aspirar o material restante.

7.3 Trabalhar sem sistema de remoção de pó



NOTA

Empregue coroas de perfuração fendidas quando perfura sem sistema de remoção de pó.

NOTA

Retire o sistema de remoção de pó ou fixe-o para que não rode.

NOTA

As acções opcionais devem ser realizadas em caso de utilização da guia de perfuração de duas peças.

CUIDADO

Retire a ficha da tomada quando retirar a carote.

PERIGO

Use uma máscara antipoeiras.

NOTA

O pó é espalhado em todas as direcções. Perfurar, particularmente em suspensão, é extremamente desagradável sem sistema de remoção de pó e pouco eficaz. Por isso, não se recomenda a perfuração em suspensão sem sistema de remoção de pó. É sempre recomendável empregar o sistema de remoção de pó com um aspirador adequado para perfuração a seco.

1. Ajuste o punho auxiliar para a posição pretendida e fixe-o.
2. Monte a guia de perfuração (opcional).
3. Ligue a ficha à corrente eléctrica.
4. Posicione a ferramenta no centro da furação.
5. Pressione o interruptor on/off da ferramenta eléctrica.
6. Aplique uma ligeira pressão até que coroa esteja centrada e só depois aumente a pressão gradualmente. Abra um corte inicial com uma profundidade de 3 a 5 mm (opcional).
7. Pare a ferramenta soltando o interruptor on/off e aguarde até que a coroa de perfuração esteja completamente imobilizada (opcional).
8. Retire a guia da coroa de perfuração (opcional).
9. Posicione a coroa de perfuração no corte inicial, pressione o interruptor on/off e prossiga com a perfuração (opcional).

7.4 Desligar e desmontar o sistema



CUIDADO

Ao efectuar a troca de acessórios, calce luvas de protecção, pois estes aquecem durante a utilização.

CUIDADO

A coroa de perfuração está cheia de pó e resíduos da perfuração. **Certifique-se de que tem uma posição de trabalho segura para o peso adicional dos resíduos da perfuração.**

NOTA

Transporte a ferramenta preferencialmente dentro da mala Hilti.

1. Solte o interruptor on/off na ferramenta eléctrica e retire lentamente a coroa do furo.
2. Desligue o aspirador depois de o ter utilizado.
3. Assegure-se de que a ferramenta já não está ligada à rede eléctrica.
4. Se necessário, retire a carote da coroa.
5. Retire a coroa de perfuração.

7.5 Passos de trabalho, caso a coroa de perfuração encrave

Se a coroa de perfuração encravar, a embraiagem desactiva-se até o utilizador desligar a ferramenta. A coroa de perfuração pode ser solta através das seguintes acções:

7.5.1 Soltar a coroa de perfuração com a chave de forqueta

1. Desligue a máquina da corrente.
2. Segure a coroa de perfuração próximo do encabodouro com uma chave de forqueta adequada e solte a coroa de perfuração, rodando-a.
3. Ligue a ferramenta à corrente eléctrica.
4. Prossiga o processo de furação.

7.6 Transporte

CUIDADO

Certifique-se de que a ferramenta está desligada da corrente eléctrica.

NOTA

Se possível, guarde e transporte a ferramenta dentro da mala Hilti.

8 Conservação e manutenção

CUIDADO

Desligue a ferramenta da corrente.

8.1 Conservação dos acessórios e dos componentes metálicos

Remova quaisquer resíduos aderentes aos acessórios e ao mandril e proteja-os da corrosão, limpando-os, de tempos a tempos, com um pano ligeiramente embebido em óleo.

Mantenha o encabadouro sempre limpo e ligeiramente lubrificado.

8.2 Manutenção da ferramenta

CUIDADO

Mantenha a ferramenta, particularmente as superfícies do punho, seca, limpa e isenta de óleos e massas. Não utilize produtos de limpeza que contenham silicone.

As saídas de ar devem estar sempre limpas e desobstruídas! Limpe as saídas de ar cuidadosamente com uma escova seca. Evite a penetração de corpos estranhos no interior da ferramenta. Limpe regularmente o exterior da ferramenta com um pano ligeiramente húmido. Não utilize qualquer pulverizador, aparelho de jacto de vapor ou água corrente, pois pode afectar negativamente a segurança eléctrica da ferramenta.

8.3 Manutenção

AVISO

As reparações na parte eléctrica apenas podem ser executadas por um electricista especializado.

Examine periodicamente todos os componentes e partes externas da ferramenta prevenindo assim o seu perfeito funcionamento. Não ligue a ferramenta se houver partes danificadas, incompletas ou se os comandos operativos não estiverem a funcionar correctamente. Nesse caso,

mande reparar a ferramenta num Centro de Assistência Técnica Hilti.

8.4 Substituir as escovas de carvão 7

NOTA

A luz indicadora (com o símbolo de uma chave inglesa) acende quando as escovas precisam de ser substituídas.

PERIGO

A manutenção e reparação da ferramenta só deve ser feita por pessoal devidamente autorizado e especializado! Estas pessoas deverão ser informadas sobre os potenciais perigos que a ferramenta representa.

A inobservância dos seguintes avisos pode representar perigo, nomeadamente devido ao contacto com tensão eléctrica elevada.

1. Desligue a ferramenta da corrente eléctrica.
2. Abra as tampas laterais (esquerda e direita) das escovas do motor.
3. Repare como estão colocadas as escovas e instalados os fios. Retire da ferramenta as escovas gastas.
4. Coloque as escovas novas da mesma forma como estavam as usadas (referência da peça de substituição: escova de carvão AO ML 100-127 V: 39577).

NOTA Ao colocá-las, preste atenção de que não danifique o isolamento do fio de aviso.

5. Aparafuse as tampas laterais (esquerda e direita) das escovas do motor.

NOTA A luz indicadora apaga-se após a substituição das escovas de carvão quando a ferramenta estiver de novo ligada à rede.

8.5 Verificação do equipamento após manutenção

Após cada manutenção do equipamento, verifique se todos os dispositivos de segurança estão correctamente montados e perfeitamente operacionais.

9 Avarias possíveis

Falha	Causa possível	Solução
A ferramenta não trabalha	Avaria na rede eléctrica	Ligar uma outra ferramenta na mesma tomada para verificar se esta tem corrente. Verificar as fichas, o cabo eléctrico e a rede
	Ferramenta desliga automaticamente devido ao desgaste das escovas de carvão	Substituir as escovas de carvão Ver capítulo: 8.4 Substituir as escovas de carvão 7
	Interruptor on/off avariado	Nesse caso, mande reparar a ferramenta num Centro de Assistência Técnica Hilti

Falha	Causa possível	Solução
A ferramenta não trabalha	Alimentação eléctrica interrompida	Verificar o cabo de alimentação e, eventualmente, o aspirador, a extensão, as fichas e mandar substituir por um electricista especializado se necessário
	Avaria no sistema electrónico	Nesse caso, mande reparar a ferramenta num Centro de Assistência Técnica Hilti
A ferramenta não arranca e o indicador de manutenção está aceso	As escovas de carvão estão gastas	Substituir as escovas de carvão Ver capítulo: 8.4 Substituir as escovas de carvão 7
A ferramenta não arranca, escovas substituídas, indicador de manutenção está aceso	Avaria na ferramenta.	Nesse caso, mande reparar a ferramenta num Centro de Assistência Técnica Hilti.
Indicador de manutenção está aceso	As escovas de carvão estão gastas; ainda são possíveis algumas horas de tempo de trabalho efectivo.	As escovas precisam de ser substituídas. Ver capítulo: 8.4 Substituir as escovas de carvão 7
Indicador de manutenção pisca	Erro de velocidade	Nesse caso, mande reparar a ferramenta num Centro de Assistência Técnica Hilti.
A ferramenta não arranca, o indicador de protecção anti-roubo pisca a amarelo.	A ferramenta não está activada (no caso de ferramentas com sistema de protecção anti-roubo, opcional).	Active a ferramenta com a chave de activação.
O motor funciona. A coroa diamantada não roda	O selector de velocidades não prende	Rodar o selector de velocidades até que engate.
	Avaria na engrenagem	Nesse caso, mande reparar a ferramenta num Centro de Assistência Técnica Hilti
A velocidade de perfuração vai diminuindo	Segmentos diamantados da coroa com muito desgaste	Afiar a coroa de perfuração numa placa de afiar
	Segmentos diamantados da coroa com muito desgaste	Especificação errada da coroa de perfuração. Consulte a Hilti
	A carote fica presa no interior da coroa	Remover a carote
	Atingida a profundidade máxima de perfuração	Remover o carote e utilizar uma extensão da coroa
	Coroa diamantada com defeito	Verificar a coroa diamantada e substituí-la, se for necessário
	A embraiagem "salta" prematuramente ou desembraia permanentemente	Nesse caso, mande reparar a ferramenta num Centro de Assistência Técnica Hilti
	O pó impede que a perfuração avance	Utilize um sistema de remoção de pó adequado
Impossível introduzir a coroa no mandril	Mandril ou encabadouro sujos ou com defeito	Limpar o encabadouro/mandril ou substituí-lo se necessário
Folga excessiva no sistema de perfuração	A coroa não está suficientemente fixa no mandril	Apertar firmemente
	Encabadouro com defeito	Verificar o encabadouro. Substituí-lo se necessário

10 Reciclagem



As ferramentas Hilti são, em grande parte, fabricadas com materiais recicláveis. Um pré-requisito para a reciclagem é que esses materiais sejam devidamente separados. A Hilti já iniciou em muitos países a recolha da sua ferramenta usada para fins de reaproveitamento. Para mais informações dirija-se ao Serviço de Clientes Hilti local ou ao vendedor.

11 Garantia do fabricante - Ferramentas

Em caso de dúvidas quanto às condições de garantia, contacte o seu parceiro HILTI local.

pt



Hilti Corporation

LI-9494 Schaan

Tel.: +423 / 234 21 11

Fax: +423 / 234 29 65

www.hilti.com

Hilti = registered trademark of Hilti Corp., Schaan

W 3247 | 0514 | 00-Pos. 3 | 1

Printed in Germany © 2014

Right of technical and programme changes reserved S. E. & O.

274861 / A4



274861