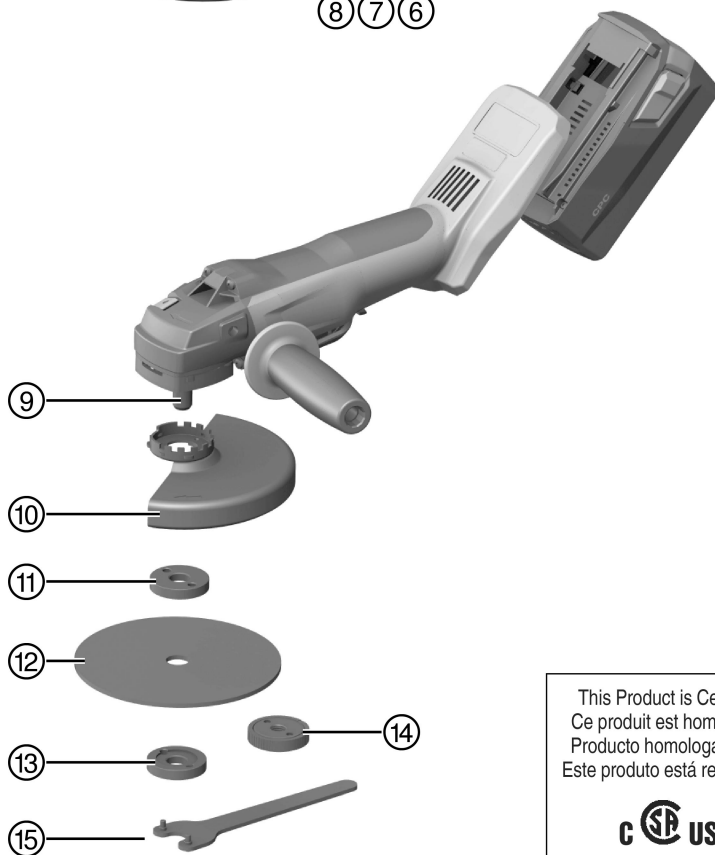
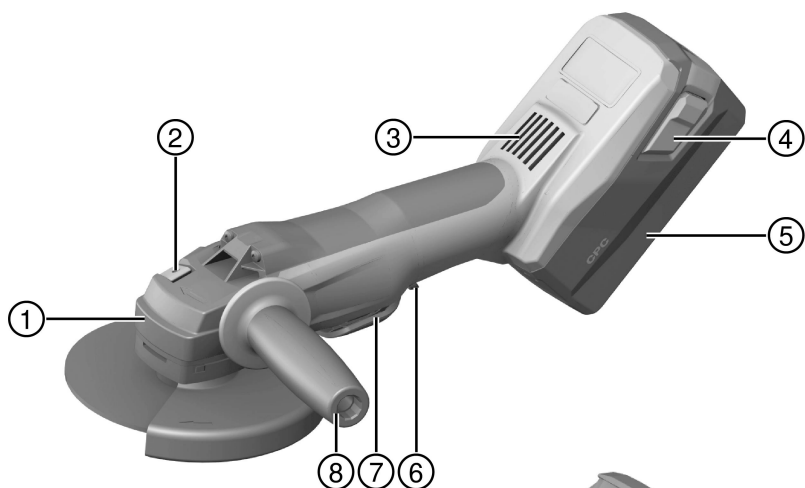




AG 600-A36

English	1
Français	15
Español	30
Português	45



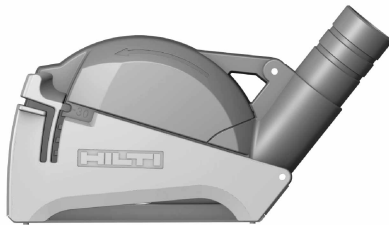
This Product is Certified
Ce produit est homologué
Producto homologado por
Este producto está registrado



2



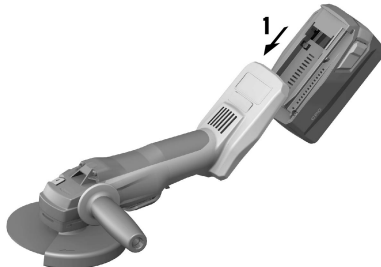
3



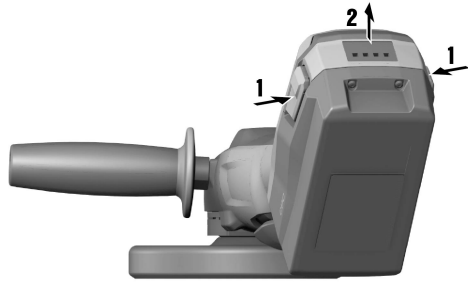
4



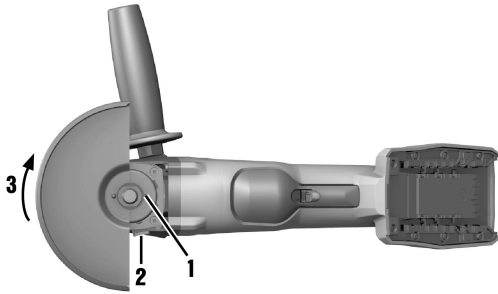
5



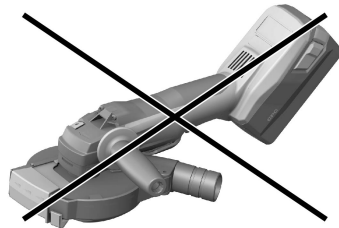
6



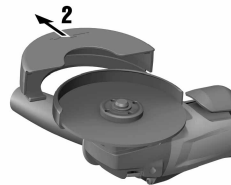
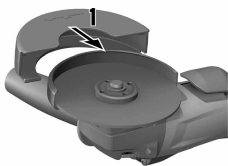
7



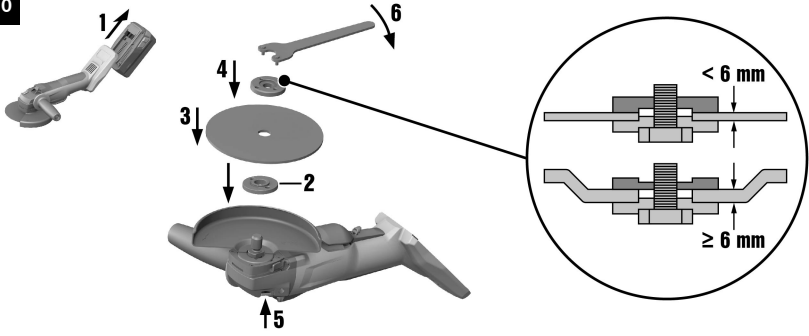
8



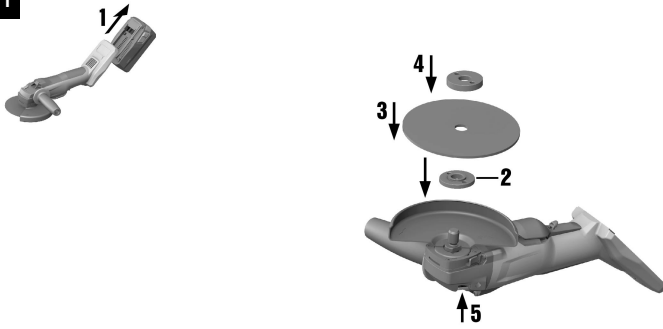
9



10



11



12



AG 600-A36

en	Original operating instructions	1
fr	Mode d'emploi original	15
es	Manual de instrucciones original	30
pt	Manual de instruções original	45

1 Information about the documentation

1.1 About this documentation

- Read this documentation before initial operation or use. This is a prerequisite for safe, trouble-free handling and use of the product.
- Observe the safety instructions and warnings in this documentation and on the product.
- Always keep the operating instructions with the product and make sure that the operating instructions are with the product when it is given to other persons.

1.2 Explanation of symbols used

1.2.1 Warnings

Warnings alert persons to hazards that occur when handling or using the product. The following signal words are used:



DANGER !

- ▶ Draws attention to imminent danger that will lead to serious personal injury or fatality.



WARNING !

- ▶ Draws attention to a potential threat of danger that can lead to serious injury or fatality.



CAUTION !

- ▶ Draws attention to a potentially dangerous situation that could lead to slight personal injury or damage to the equipment or other property.

1.2.2 Symbols in the documentation

The following symbols are used in this document:

	Read the operating instructions before use.
	Instructions for use and other useful information
	Dealing with recyclable materials
	Do not dispose of electric equipment and batteries as household waste

1.2.3 Symbols in the illustrations

The following symbols are used in illustrations:

	These numbers refer to the corresponding illustrations found at the beginning of these operating instructions
	The numbering reflects the sequence of operations shown in the illustrations and may deviate from the steps described in the text
	Item reference numbers are used in the overview illustrations and refer to the numbers used in the product overview section
	This symbol is intended to draw special attention to certain points when handling the product.
	Wireless data transfer

1.3 Product-dependent symbols

1.3.1 Symbols on the product

The following symbols are used on the product:

	Wear eye protection.
n	Rated speed
/min	Revolutions per minute
RPM	Revolutions per minute
	Diameter

1.4 Product information

products are designed for professional users and only trained, authorized personnel are permitted to operate, service and maintain the products. This personnel must be specifically informed about the possible hazards. The product and its ancillary equipment can present hazards if used incorrectly by untrained personnel or if used not in accordance with the intended use.

The type designation and serial number are printed on the rating plate.

- ▶ Write down the serial number in the table below. You will be required to state the product details when contacting Hilti Service or your local Hilti organization to inquire about the product.

2 Safety

2.1 General power tool safety warnings

WARNING

Read all safety warnings and all instructions. Failure to follow the warnings and instructions may result in electric shock, fire and/or serious injury.

Save all warnings and instructions for future reference.

Work area safety

- ▶ **Keep work area clean and well lit.** Cluttered or dark areas invite accidents.
- ▶ **Do not operate power tools in explosive atmospheres, such as in the presence of flammable liquids, gases or dust.** Power tools create sparks which may ignite the dust or fumes.
- ▶ **Keep children and bystanders away while operating a power tool.** Distractions can cause you to lose control.

Electrical safety

- ▶ **Avoid body contact with earthed or grounded surfaces, such as pipes, radiators, ranges and refrigerators.** There is an increased risk of electric shock if your body is earthed or grounded.
- ▶ **Do not expose power tools to rain or wet conditions.** Water entering a power tool will increase the risk of electric shock.

Personal safety

- ▶ **Stay alert, watch what you are doing and use common sense when operating a power tool. Do not use a power tool while you are tired or under the influence of drugs, alcohol or medication.** A moment of inattention while operating power tools may result in serious personal injury.
- ▶ **Use personal protective equipment. Always wear eye protection.** Protective equipment such as dust mask, non-skid safety shoes, hard hat, or hearing protection used for appropriate conditions will reduce personal injuries.
- ▶ **Prevent unintentional starting. Ensure the switch is in the off-position before connecting to battery pack, picking up or carrying the tool.** Carrying power tools with your finger on the switch or energising power tools that have the switch on invites accidents.
- ▶ **Remove any adjusting key or wrench before turning the power tool on.** A wrench or a key left attached to a rotating part of the power tool may result in personal injury.
- ▶ **Do not overreach. Keep proper footing and balance at all times.** This enables better control of the power tool in unexpected situations.



- ▶ **Dress properly. Do not wear loose clothing or jewellery. Keep your hair, clothing and gloves away from moving parts.** Loose clothes, jewellery or long hair can be caught in moving parts.
- ▶ **If devices are provided for the connection of dust extraction and collection facilities, ensure these are connected and properly used.** Use of dust collection can reduce dust-related hazards.

Power tool use and care

- ▶ **Do not force the power tool. Use the correct power tool for your application.** The correct power tool will do the job better and safer at the rate for which it was designed.
- ▶ **Do not use the power tool if the switch does not turn it on and off.** Any power tool that cannot be controlled with the switch is dangerous and must be repaired.
- ▶ **Disconnect the battery pack from the power tool before making any adjustments, changing accessories, or storing power tools.** Such preventive safety measures reduce the risk of starting the power tool accidentally.
- ▶ **Store idle power tools out of the reach of children and do not allow persons unfamiliar with the power tool or these instructions to operate the power tool.** Power tools are dangerous in the hands of untrained users.
- ▶ **Maintain power tools. Check for misalignment or binding of moving parts, breakage of parts and any other condition that may affect the power tool's operation. If damaged, have the power tool repaired before use.** Many accidents are caused by poorly maintained power tools.
- ▶ **Keep cutting tools sharp and clean.** Properly maintained cutting tools with sharp cutting edges are less likely to bind and are easier to control.
- ▶ **Use the power tool, accessories and tool bits etc. in accordance with these instructions, taking into account the working conditions and the work to be performed.** Use of the power tool for operations different from those intended could result in a hazardous situation.

Battery tool use and care

- ▶ **Recharge only with the charger specified by the manufacturer.** A charger that is suitable for one type of battery pack may create a risk of fire when used with another battery pack.
- ▶ **Use power tools only with specifically designated battery packs.** Use of any other battery packs may create a risk of injury and fire.
- ▶ **When battery pack is not in use, keep it away from other metal objects, like paper clips, coins, keys, nails, screws or other small metal objects, that can make a connection from one terminal to another.** Shorting the battery terminals together may cause burns or a fire.
- ▶ **Under abusive conditions, liquid may be ejected from the battery; avoid contact. If contact accidentally occurs, flush with water. If liquid contacts eyes, additionally seek medical help.** Liquid ejected from the battery may cause irritation or burns.

Service

- ▶ **Have your power tool serviced by a qualified repair person using only identical replacement parts.** This will ensure that the safety of the power tool is maintained.

2.2 Safety warnings common for grinding, sanding, wire brushing, polishing or abrasive cutting-off operations:

- ▶ **This power tool is intended to function as a grinder, wire brushing or cut-off tool. Read all safety warnings, instructions, illustrations and specifications provided with this power tool.** Failure to follow all instructions listed below may result in electric shock, fire and/or serious injury.
- ▶ **Operations such as sanding or polishing are not recommended to be performed with this power tool.** Operations for which the power tool was not designed may create a hazard and cause personal injury.
- ▶ **Do not use accessories which are not specifically designed and recommended by the tool manufacturer.** Just because the accessory can be attached to your power tool, it does not assure safe operation.
- ▶ **The rated speed of the accessory must be at least equal to the maximum speed marked on the power tool.** Accessories running faster than their rated speed can break and fly apart.
- ▶ **The outside diameter and the thickness of your accessory must be within the capacity rating of your power tool.** Incorrectly sized accessories cannot be adequately guarded or controlled.
- ▶ **Threaded mounting of accessories must match the grinder spindle thread. For accessories mounted by flanges, the arbour hole of the accessory must fit the locating diameter of the flange.** Accessories that do not match the mounting hardware of the power tool will run out of balance, vibrate excessively and may cause loss of control.
- ▶ **Do not use a damaged accessory. Before each use inspect the accessory such as abrasive wheels for chips and cracks, backing pad for cracks, tear or excess wear, wire brush for loose or**

cracked wires. If power tool or accessory is dropped, inspect for damage or install an undamaged accessory. After inspecting and installing an accessory, position yourself and bystanders away from the plane of the rotating accessory and run the power tool at maximum no-load speed for one minute. Damaged accessories will normally break apart during this test time.

- ▶ **Wear personal protective equipment. Depending on application, use face shield, safety goggles or safety glasses. As appropriate, wear dust mask, hearing protectors, gloves and workshop apron capable of stopping small abrasive or workpiece fragments.** The eye protection must be capable of stopping flying debris generated by various operations. The dust mask or respirator must be capable of filtering particles generated by your operation. Prolonged exposure to high intensity noise may cause hearing loss.
- ▶ **Keep bystanders a safe distance away from work area. Anyone entering the work area must wear personal protective equipment.** Fragments of workpiece or of a broken accessory may fly away and cause injury beyond immediate area of operation.
- ▶ **Hold the power tool by insulated gripping surfaces only, when performing an operation where the cutting tool may contact hidden wiring.** Contact with a "live" wire will also make exposed metal parts of the power tool "live" and could give the operator an electric shock.
- ▶ **Position the cord clear of the spinning accessory.** If you lose control, the cord may be cut or snagged and your hand or arm may be pulled into the spinning accessory.
- ▶ **Never lay the power tool down until the accessory has come to a complete stop.** The spinning accessory may grab the surface and pull the power tool out of your control.
- ▶ **Do not run the power tool while carrying it at your side.** Accidental contact with the spinning accessory could snag your clothing, pulling the accessory into your body.
- ▶ **Regularly clean the power tool's air vents.** The motor's fan will draw the dust inside the housing and excessive accumulation of powdered metal may cause electrical hazards.
- ▶ **Do not operate the power tool near flammable materials.** Sparks could ignite these materials.
- ▶ **Do not use accessories that require liquid coolants.** Using water or other liquid coolants may result in electrocution or shock.

Kickback and related warnings

Kickback is a sudden reaction to a pinched or snagged rotating wheel, backing pad, brush or any other accessory. Pinching or snagging causes rapid stalling of the rotating accessory which in turn causes the uncontrolled power tool to be forced in the direction opposite of the accessory's rotation at the point of the binding.

For example, if an abrasive wheel is snagged or pinched by the workpiece, the edge of the wheel that is entering into the pinch point can dig into the surface of the material causing the wheel to climb out or kick out. The wheel may either jump toward or away from the operator, depending on direction of the wheel's movement at the point of pinching. Abrasive wheels may also break under these conditions.

Kickback is the result of power tool misuse and/or incorrect operating procedures or conditions and can be avoided by taking proper precautions as given below.

- ▶ **Maintain a firm grip on the power tool and position your body and arm to allow you to resist kickback forces. Always use auxiliary handle, if provided, for maximum control over kickback or torque reaction during start-up.** The operator can control torque reactions or kickback forces, if proper precautions are taken.
- ▶ **Never place your hand near the rotating accessory.** Accessory may kickback over your hand.
- ▶ **Do not position your body in the area where power tool will move if kickback occurs.** Kickback will propel the tool in direction opposite to the wheel's movement at the point of snagging.
- ▶ **Use special care when working corners, sharp edges etc. Avoid bouncing and snagging the accessory.** Corners, sharp edges or bouncing have a tendency to snag the rotating accessory and cause loss of control or kickback.
- ▶ **Do not attach a saw chain woodcarving blade or toothed saw blade.** Such blades create frequent kickback and loss of control.

Safety warnings specific for grinding and abrasive cutting-off operations:

- ▶ **Use only wheel types that are recommended for your power tool and the specific guard designed for the selected wheel.** Wheels for which the power tool was not designed cannot be adequately guarded and are unsafe.
- ▶ **The grinding surface of centre depressed wheels must be mounted below the plane of the guard lip.** An improperly mounted wheel that projects through the plane of the guard lip cannot be adequately protected.



- ▶ **The guard must be securely attached to the power tool and positioned for maximum safety, so the least amount of wheel is exposed towards the operator.** The guard helps to protect the operator from broken wheel fragments, accidental contact with wheel and sparks that could ignite clothing.
- ▶ **Wheels must be used only for recommended applications. For example: do not grind with the side of cut-off wheel.** Abrasive cut-off wheels are intended for peripheral grinding, side forces applied to these wheels may cause them to shatter.
- ▶ **Always use undamaged wheel flanges that are of correct size and shape for your selected wheel.** Proper wheel flanges support the wheel thus reducing the possibility of wheel breakage. Flanges for cut-off wheels may be different from grinding wheel flanges.
- ▶ **Do not use worn down wheels from larger power tools.** Wheel intended for larger power tool is not suitable for the higher speed of a smaller tool and may burst.

Additional safety warnings specific for abrasive cutting-off operations:

- ▶ **Do not "jam" the cut-off wheel or apply excessive pressure. Do not attempt to make an excessive depth of cut.** Overstressing the wheel increases the loading and susceptibility to twisting or binding of the wheel in the cut and the possibility of kickback or wheel breakage.
- ▶ **Do not position your body in line with and behind the rotating wheel.** When the wheel, at the point of operation, is moving away from your body, the possible kickback may propel the spinning wheel and the power tool directly at you.
- ▶ **When wheel is binding or when interrupting a cut for any reason, switch off the power tool and hold the power tool motionless until the wheel comes to a complete stop. Never attempt to remove the cut-off wheel from the cut while the wheel is in motion otherwise kickback may occur.** Investigate and take corrective action to eliminate the cause of wheel binding.
- ▶ **Do not restart the cutting operation in the workpiece. Let the wheel reach full speed and carefully re-enter the cut.** The wheel may bind, walk up or kickback if the power tool is restarted in the workpiece.
- ▶ **Support panels or any oversized workpiece to minimize the risk of wheel pinching and kickback.** Large workpieces tend to sag under their own weight. Supports must be placed under the workpiece near the line of cut and near the edge of the workpiece on both sides of the wheel.
- ▶ **Use extra caution when making a "pocket cut" into existing walls or other blind areas.** The protruding wheel may cut gas or water pipes, electrical wiring or objects that can cause kickback.

Safety warnings specific for wire brushing operations:

- ▶ **Be aware that wire bristles are thrown by the brush even during ordinary operation. Do not overstress the wires by applying excessive load to the brush.** The wire bristles can easily penetrate light clothing and/or skin.
- ▶ **If the use of a guard is recommended for wire brushing, do not allow any interference of the wire wheel or brush with the guard.** Wire wheel or brush may expand in diameter due to work load and centrifugal forces.

2.3 Additional safety instructions

Personal safety

- ▶ Only use the product if it is in perfect working order.
- ▶ Never tamper with or modify the tool in any way.
- ▶ Avoid touching rotating parts – risk of injury!
- ▶ Wear protective gloves also when changing the accessory tool. Touching the accessory tool presents a risk of injury (cuts or burns).
- ▶ Before starting work, check the hazard class of the dust that will be produced when working. Use an industrial vacuum cleaner with an officially approved protection class in compliance with the locally applicable dust protection regulations. Dust from materials such as lead-based paint, certain types of wood and concrete/masonry/stone containing quartz, minerals or metal may be harmful to health.
- ▶ Make sure that the workplace is well ventilated and, where necessary, wear a respirator appropriate for the type of dust generated. Contact with or inhalation of the dust may cause allergic reactions and/or respiratory or other diseases among operators or bystanders. Certain kinds of dust are classified as carcinogenic such as oak and beech dust, especially in conjunction with additives for wood conditioning (chromate, wood preservative). Material containing asbestos may be handled only by specialists.
- ▶ Take breaks between working and do physical exercises to improve the blood circulation in your fingers. Exposure to vibration during long periods of work can lead to disorders of the blood vessels and nervous system in the fingers, hands and wrists.



Electrical safety

- ▶ Before beginning work, check the working area for concealed electric cables or gas and water pipes. External metal parts of the power tool may give you an electric shock if you damage an electric cable accidentally.

Using and handling power tools with care

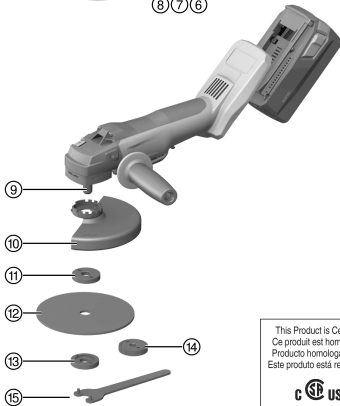
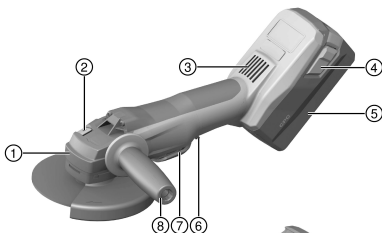
- ▶ Do not use cutting discs for grinding.
- ▶ Tighten the accessory tool and flange securely. If the accessory tool and flange are not tightened securely, the accessory tool may work loose from the spindle due to the braking effect of the motor after switching off.
- ▶ Comply with the manufacturer's instructions for handling and storing grinding discs.

2.4 Battery use and care

- ▶ Observe the special regulations and instructions applicable to the transport, storage and use of Li-ion batteries.
- ▶ Do not expose batteries to high temperatures, direct sunlight or fire.
- ▶ Do not disassemble, crush or incinerate batteries and do not subject them to temperatures over 80 °C.
- ▶ Do not use or charge batteries that have suffered mechanical impact, have been dropped from a height or show signs of damage. In this case, always contact your **Hilti Service**.
- ▶ If the battery is too hot to touch it may be defective. In this case, place the product in a non-flammable location, well away from flammable materials, where it can be kept under observation and allowed to cool down. In this case, always contact your **Hilti Service**.

3 Description

3.1 Overview of the product



- ① Guard release button
- ② Spindle lockbutton
- ③ Air vents
- ④ Release button with additional function (charge status display activation)
- ⑤ Battery
- ⑥ Switch-on interlock release button
- ⑦ On/off switch
- ⑧ Vibration-absorbing side handle
- ⑨ Spindle
- ⑩ Standard guard
- ⑪ Clamping flange
- ⑫ Cutting disc / grinding disc
- ⑬ Clamping nut
- ⑭ **Kwik lock** clamping nut (optional)
- ⑮ Wrench



3.2 Intended use

The product described is a hand-held cordless angle grinder. It is designed for cutting and grinding and brushing metal and mineral materials without use of water. It can be used only for dry grinding / cutting.



- The tool can be used for cutting, slitting and grinding mineral materials only in combination with the appropriate guard (optional accessory).
- It is recommended that a dust removal system consisting of matched components, i.e. dust removal hood and a suitable **Hilti** vacuum cleaner, are used for working on mineral materials such as concrete or stone. These protect the operator and increase the life of the tool and accessory tools used.
- ▶ Use only **Hilti** Li-ion batteries from the B 36 series with this product.
- ▶ Use only the **Hilti** battery chargers from the C4/36 series for these batteries.

3.3 Items supplied

Angle grinder, side handle, standard guard, front cover, clamping flange, clamping nut, wrench, operating instructions.

3.4 Temperature-dependent motor protection

The temperature-dependent motor protection system monitors current input and motor temperature and thus prevents the power tool overheating.

If the motor is overloaded through application of excessive working pressure, the power tool's performance drops noticeably or it may stall completely.

If the power tool stalls or slows significantly due to overloading, release the pressure applied to the tool and then allow it to run under no load for approx. 30 seconds.

3.5 Guard with front cover

When grinding with straight grinding discs and cutting with cutting discs in metalworking applications, use the standard guard with front cover.

3.6 Dust hood for cutting: DC-EX 125/5" C compact hood (accessory)

When cutting mineral materials with diamond cutting discs, use the DC-EX 125/5" C compact hood.

CAUTION Use of this hood for working on metal is prohibited.

3.7 DG-EX 125/5" dust hood for grinding (accessory)

The grinding system is suitable only for occasional use with diamond cup wheels for grinding mineral materials.

CAUTION Use of this hood for working on metal is prohibited.

3.8 Consumables

Use only synthetic-resin-bonded, fiber-reinforced discs with a maximum Ø of 6" approved for a rotational speed of at least 8500 rpm and a peripheral speed of 80 m/s.

The maximum grinding disc thickness is 1/4" and the maximum cutting disc thickness is 1/8".

WARNING! When cutting or slitting with abrasive cutting discs always use the standard guard with the additional front cover, or a fully enclosing dust hood.

Discs

	Application	Designation	Material
Abrasive cutting disc	Cutting, slitting	AC-D	Metal
Diamond cutting disc	Cutting, slitting	DC-TP, DC-D (SPX, SP, P)	Mineral
Abrasive grinding disc	Rough grinding	AG-D, AF-D, AN-D, AG-D type 27	Metal
Diamond grinding disc	Rough grinding	DG-CW (SPX, SP, P)	Mineral
Wire brushes	Wire brushes	3CS, 4CS, 3SS, 4SS	Metal

Suitability of discs for the equipment used

Item	Equipment	AC-D	AG-D	AF-D	AN-D	DG-CW (SPX, SP, P)	DC-TP, DC-D (SPX, SP, P)	3CS, 4CS, 3SS, 4SS	AG-D type 27
A	Guard	X	X	X	X	X	X	X	—
B	Front cover (in combination with A)	X	—	—	—	—	X	—	—
C	DG-EX 125/5" dust hood for grinding	—	—	—	—	X	-	—	—
D	DC-EX 125/5"C dust hood for cutting (only in conjunction with A)	—	—	—	—	-	X	—	—
E	Side handle	X	X	X	X	X	X	X	X
F	DCBG 125 hoop handle (optional for E)	X	X	X	X	X	X	X	X
G	Clamping nut	X	X	X	X	X	X	—	—
H	Clamping flange	X	X	X	X	X	X	—	—
I	Kwik lock (optional for G)	X	X	X	X	-	X	—	—
J	Guard type 27	—	—	—	—	—	—	—	X

3.9 Li-ion battery charge status display

The charge status of the Li-ion battery is displayed after one of the two battery release buttons is pressed.

Status	Meaning
4 LEDs light.	• Charge status: 75 % to 100 %
3 LEDs light.	• Charge status: 50 % to 75 %
2 LEDs light.	• Charge status: 25 % to 50 %
1 LED lights up.	• Charge status: 10 % to 25 %
1 LED blinks.	• Charge status: < 10 %



Indication of the charge status is not possible while the power tool is in operation or immediately after operation. If the battery charge status LEDs blink, please refer to the information given in the Troubleshooting section.

4 Technical data

4.1 Angle grinder

	AG 600-A36
Rated voltage	36 V
Rated speed	8,500 /min
Maximum disc diameter	6 in
Maximum disc diameter	150 mm
Weight	7.7 lb (3.5 kg)
Drive spindle thread	5/8"-11



5 Before use

5.1 Inserting the battery

CAUTION

Risk of injury. Due to the angle grinder starting unintentionally.

- ▶ Before fitting the battery, check that the angle grinder is switched off and that the safety lock is activated.

CAUTION

Electrical hazard. Dirty contacts may cause a short circuit.

- ▶ Before inserting the battery, check to ensure that the battery terminals and the contacts in the angle grinder are free from foreign objects.

CAUTION

Risk of injury. If the battery is not fitted correctly it may drop out and fall.

- ▶ Check that the battery is securely seated in the tool so that it cannot drop out and fall, thereby presenting a hazard to other persons.
- ▶ Fit the battery and check that the battery is securely seated in the power tool.

5.2 Removing the battery

- ▶ Remove the battery.

5.3 Fitting the side handle

- ▶ Screw the side handle into one of the threaded bushings provided.

5.4 Fitting or removing the guard

CAUTION

Risk of injury. The accessory tool may be hot or have sharp edges.

- ▶ Wear protective gloves when fitting, removing or adjusting the accessory tool or other parts and when troubleshooting.
- ▶ Observe the instructions for fitting the applicable guard.

5.4.1 Fitting the guard



The guard is equipped with locating lugs that ensure only guards of a type suitable for use with the power tool can be fitted. The locating lugs of the guard fit into the guard mount on the power tool.

1. Fit the guard onto the drive spindle collar so that the two triangular marks on the guard and on the power tool are in alignment.
2. Press the guard onto the drive spindle collar.
3. Press the guard release button.
4. Rotate the guard until it engages and the guard release button jumps back into its original position.

5.4.2 Adjusting the guard

- ▶ Press the guard release button and then rotate the guard until it engages in the desired position.

5.4.3 Removing the hood

1. Press the guard release button and then rotate the guard until the triangular marks on the guard and the power tool are in alignment.
2. Remove the guard.

5.5 Fitting or removing the front cover



The front cover, when used, is clipped onto the guard.

1. Position the front cover with the closed side on the standard guard and push it on until it engages.
2. To remove it, release the catch for the front cover and then lift the front cover away from the standard guard.

5.6 Positioning the DC-EX 125/5" C compact guard

- ▶ Position the compact guard so that the on/off switch remains easily accessible and operable at all times.

5.7 Fitting and removing accessory tools

WARNING

Risk of injury. The accessory tool may work loose due to the braking effect of the motor.

- ▶ Wait until the accessory tool has come to a standstill before touching or gripping the accessory tool or the clamping nut.
- ▶ Secure the accessory tool by tightening the clamping flange and clamping nut firmly so that no parts work loose from the spindle due to the braking effect of the motor.

CAUTION

Risk of injury. The accessory tool may be hot.

- ▶ Wear protective gloves when changing the accessory tool.

CAUTION

Danger if accessory tool with integrated thread works loose! Incorrect installation of the accessory tool can result in serious injury.

- ▶ Always tighten the accessory tool with integrated thread until it is hand-tight.



Diamond discs must be replaced when their cutting or grinding performance drops significantly. This generally is the case when the segments reach a height of less than 1/16".

Other discs must be replaced when their cutting performance drops significantly or other parts of the angle grinder (not the disc) come into contact with the material you are working on.

Abrasive discs must be replaced when their expiry date has been reached.

5.7.1 Fitting an accessory tool

1. Remove the battery. → page 9
2. Clean the clamping flange and the clamping nut.
3. Fit the clamping flange onto the drive spindle.
4. Fit the accessory tool.
5. Screw on the clamping nut corresponding to the type of accessory tool fitted.
6. Press the spindle lockbutton and hold it in this position.
7. Use the pin wrench to tighten the clamping nut securely, then release the spindle lockbutton and remove the wrench.

5.7.2 Removing the accessory tool

1. Remove the battery. → page 9

CAUTION

Risk of breakage and irreparable damage. If the spindle lockbutton is pressed while the spindle is rotating, this may cause the accessory tool to work loose or detach from the power tool.

- ▶ Press the spindle lockbutton only when the spindle has stopped rotating.
2. Press the spindle lockbutton and hold it in this position.
 3. Release the clamping nut by gripping it with the wrench and turning the nut counterclockwise.
 4. Release the spindle lockbutton and remove the accessory tool.



5.7.3 Fitting an accessory tool secured with a **Kwik lock** nut

CAUTION

Risk of breakage. Heavy wear (abrasion) may cause the **Kwik lock** nut to break.

- ▶ When working with the power tool, make sure that the **Kwik lock** nut doesn't come into contact with the working surface.
- ▶ Do not use a damaged **Kwik lock** nut.



The optional **Kwik lock** nut can be used instead of the standard clamping nut. Accessory tools (discs etc.) can then be changed without need for additional tools (keyless system).

1. Remove the battery. → page 9
2. Clean the clamping flange and the quick-release clamping nut.
3. Fit the clamping flange onto the drive spindle.
4. Fit the accessory tool.
5. Screw on the **Kwik lock** nut until it is seated against the accessory tool.
 - ◀ The name **Kwik lock** should be visible when the nut is screwed on.
6. Press the spindle lockbutton and hold it in this position.
7. Turn the accessory tool firmly by hand in a clockwise direction until the **Kwik lock** nut is tightened securely and then release the spindle lockbutton.

5.7.4 Removing an accessory tool secured with a **Kwik lock** nut

1. Remove the battery. → page 9

CAUTION

Risk of breakage and irreparable damage. If the spindle lockbutton is pressed while the spindle is rotating, this may cause the accessory tool to work loose or detach from the power tool.

- ▶ Press the spindle lockbutton only when the spindle has stopped rotating.
2. Press the spindle lockbutton and hold it in this position.
 3. Release the **Kwik lock** nut by turning it counterclockwise by hand.
 4. If the **Kwik lock** nut cannot be released by turning it by hand, use a pin wrench to turn the nut in a counterclockwise direction.



Never use a pipe wrench! A pipe wrench could damage the **Kwik lock** nut.

5. Release the spindle lockbutton and remove the accessory tool.

5.7.5 Fitting a threaded accessory tool

1. Remove the battery. → page 9
2. Screw the accessory tool onto the drive spindle.
3. Press the spindle lockbutton and hold it in this position.
4. Use an open-end wrench to tighten the accessory tool securely and then release the spindle lockbutton.

5.7.6 Removing the accessory tool

1. Remove the battery. → page 9

CAUTION

Risk of breakage and irreparable damage. If the spindle lockbutton is pressed while the spindle is rotating, this may cause the accessory tool to work loose or detach from the power tool.

- ▶ Press the spindle lockbutton only when the spindle has stopped rotating.
2. Press the spindle lockbutton and hold it in this position.
 3. Use an open-end wrench to release the accessory tool.
 4. Release the spindle lockbutton and remove the accessory tool.

6 Operation

6.1 Grinding

CAUTION

Risk of injury. The accessory tool may suddenly stick or stall.

- ▶ Use the power tool with the side handle (or optional hoop grip) fitted and always hold the power tool securely with both hands.

6.2 Cutting

- ▶ When cutting, apply moderate feed pressure and do not tilt the power tool or the cutting disc (when working, hold at approx. 90° to the surface being cut).



For best results when cutting profiles and square tube, start cutting at the smallest cross section.

6.3 Rough grinding

CAUTION

Risk of injury. The abrasive cutting disc could shatter and flying fragments may cause injury.

- ▶ Never use abrasive cutting discs for grinding.
- ▶ Move the power tool to and fro while maintaining a 5° to 30° angle of attack and applying moderate pressure.
 - ◀ This will avoid overheating and discoloration of the workpiece and help ensure an even surface finish.

6.4 Switching on (tool equipped with switch-on safety interlock) **12**



The on / off switch with safety lock (switch-on interlock) gives you full control of the switch function and avoids unintentional starting.

1. Push the safety lock forward.
 - ◀ The on/off switch is unlocked.
2. Press the on/off switch as far as it will go.
 - ◀ The power tool's motor runs at no-load speed.

6.5 Switching off (tool equipped with switch-on safety interlock)

- ▶ Release the on/off switch.
 - ◀ The safety lock jumps automatically into the locked position.

7 Care, maintenance, transport and storage

7.1 Care and maintenance of the power tool

DANGER

Electric shock due to breakdown of protective insulation. When working on metal under extreme conditions, conductive dust (e.g. metal, carbon fiber) may accumulate inside the power tool, thereby adversely affecting the protective insulation.

- ▶ Use a stationary dust extraction system when working under extreme conditions.
- ▶ Clean the air vents frequently.

WARNING

Electrical hazards. Improper repairs to electrical parts may lead to serious injuries.

- ▶ Electrical parts may be repaired only by trained electrical specialists.



⚠ CAUTION

Unintentional starting. If the battery is not removed from the power tool there is a risk of the power tool starting unintentionally while it is being cleaned. This could lead to injury.

- ▶ Remove the battery from the power tool before beginning cleaning.

- ▶ Keep the power tool, especially its grip surfaces, clean and free from oil and grease. Do not use cleaning agents containing silicone.
- ▶ Never operate the angle grinder when the air vents are blocked. Clean the air vents carefully using a dry brush. Do not permit foreign objects to enter the interior of the power tool.
- ▶ Clean the outer surfaces of the power tool with a slightly damp cloth at regular intervals. Do not use a spray system, pressure jet washer or running water for cleaning as this may negatively affect the electrical safety of the power tool.

i Frequent work on conductive materials (e.g. metal, carbon fiber) may make shorter maintenance intervals necessary. Take your individual workplace risk assessment into account.

i To help ensure safe and reliable operation, use only genuine Hilti spare parts and consumables. Spare parts, consumables and accessories approved by us for use with the product can be found at your local **Hilti Center** or online at: www.hilti.com

7.2 Care of the Li-ion battery

- ▶ Keep the battery clean and free from oil and grease.
- ▶ Clean the outer surfaces with a slightly damp cloth at regular intervals. Do not use cleaning agents containing silicone.
- ▶ To achieve maximum battery life, stop drawing power from the battery as soon as a significant drop in the performance of the power tool is noticed.
- ▶ Charge the batteries using the **Hilti** chargers approved for use with Li-ion batteries.

7.3 Checks after care and maintenance work

- ▶ After carrying out care and maintenance, check that all protective and safety devices are fitted and that they function faultlessly.

7.4 Transport and storage

⚠ WARNING

Fire hazard. Risk of short circuiting.

- ▶ Never store or transport Li-ion batteries in loose, bulk form.

- ▶ Pull the battery out of its locked position and into the first engagement position.
- ▶ Observe the nationally and internationally applicable transport regulations when shipping batteries by road, rail, sea or air.

i Ideally, the battery should be stored in a fully-charged state in a dry place that is as cool as possible. Storing the battery in places subject to high ambient temperatures (e.g. at a window) has an adverse effect on battery life and increases the rate of self-discharge.

If the battery no longer reaches full charge, it may have lost capacity due to aging or overstraining. It is still possible to work with this battery. You should, however, soon replace the battery with a new one.

8 Troubleshooting

If the trouble you are experiencing isn't listed in this table or you are unable to remedy the problem by yourself, please contact **Hilti Service**.

Trouble or fault	Possible cause	Action to be taken
The battery runs down more quickly than usual.	Very low ambient temperature.	▶ Allow the battery to warm up slowly to room temperature.

Trouble or fault	Possible cause	Action to be taken
The battery doesn't engage with an audible click.	The retaining lugs on the battery are dirty.	▶ Clean the retaining lugs and reft the battery.
1 LED blinks. The power tool doesn't run.	Low battery.	▶ Change the battery and charge the empty battery.
	The battery is too hot or too cold.	▶ Allow the battery to cool down or warm up slowly to room temperature.
All 4 LEDs blink. The power tool doesn't run.	The tool has been overloaded.	▶ Release the control switch and then press it again. Then allow the power tool to run under no load for approx. 30 seconds.
The angle grinder or battery gets very hot.	Electrical fault.	▶ Switch the power tool off immediately, remove the battery, keep it under observation, allow it to cool down and contact Hilti Service .
The tool does not achieve full power.	A battery with inadequate capacity was used.	Capacity: > 2.6 Ah ▶ Use a battery with adequate capacity.
The motor has no braking effect.	Low battery.	▶ Change the battery and charge the empty battery.
	The power tool was overloaded briefly.	▶ Release the control switch and then press it again.

9 Disposal

Most of the materials from which **Hilti** tools and appliances are manufactured can be recycled. The materials must be correctly separated before they can be recycled. In many countries, your old tools, machines or appliances can be returned to **Hilti** for recycling. Ask **Hilti Service** or your Hilti representative for further information.

Battery disposal

Improper disposal of batteries can result in health hazards from leaking gases or fluids.

- ▶ DO NOT send batteries through the mail!
- ▶ Cover the terminals with a non-conductive material (such as electrical tape) to prevent short circuiting.
- ▶ Dispose of your battery out of the reach of children.
- ▶ Dispose of the battery at your **Hilti Store**, or consult your local governmental garbage disposal or public health and safety resources for disposal instructions.



- ▶ Do not dispose of power tools, electronic equipment or batteries as household waste!

10 Manufacturer's warranty

- ▶ Please contact your local **Hilti** representative if you have questions about the warranty conditions.



1 Indications relatives à la documentation

1.1 À propos de cette documentation

- Lire intégralement la présente documentation avant la mise en service. C'est la condition préalablement requise pour assurer la sécurité du travail et un maniement sans perturbations.
- Bien respecter les consignes de sécurité et les avertissements de la présente documentation ainsi que celles figurant sur le produit.
- Toujours conserver le mode d'emploi à proximité du produit et uniquement le transmettre à des tiers avec ce mode d'emploi.

1.2 Explication des symboles

1.2.1 Avertissements

Les avertissements attirent l'attention sur des dangers liés à l'utilisation du produit. Les termes de signalisation suivants sont utilisés :

DANGER

DANGER !

- ▶ Pour un danger imminent qui peut entraîner de graves blessures corporelles ou la mort.

AVERTISSEMENT

AVERTISSEMENT !

- ▶ Pour un danger potentiel qui peut entraîner de graves blessures corporelles ou la mort.

ATTENTION

ATTENTION !

- ▶ Pour attirer l'attention sur une situation pouvant présenter des dangers entraînant des blessures corporelles légères ou des dégâts matériels.

1.2.2 Symboles dans la documentation

Les symboles suivants sont utilisés dans la présente documentation :

	Lire le mode d'emploi avant d'utiliser l'appareil
	Pour des conseils d'utilisation et autres informations utiles
	Maniement des matériaux recyclables
	Ne pas jeter les appareils électriques et les accus dans les ordures ménagères

1.2.3 Symboles dans les illustrations

Les symboles suivants sont utilisés dans les illustrations :

	Ces chiffres renvoient à l'illustration correspondante au début du présent mode d'emploi
	La numérotation détermine la séquence des étapes de travail dans l'image et peut se différencier de celles des étapes de travail dans le texte
	Les numéros de position sont utilisés dans l'illustration Vue d'ensemble et renvoient aux numéros des légendes dans la section Vue d'ensemble du produit
	Ce signe doit inviter à manier le produit en faisant particulièrement attention.
	Transmission de données sans fil

1.3 Symboles spécifiques au produit

1.3.1 Symboles sur le produit

Les symboles suivants sont utilisés sur le produit :

	Porter des lunettes de protection
n	Vitesse de rotation de référence
/min	Tours par minute
RPM	Tours par minute
	Diamètre

1.4 Informations produit

Les produits sont destinés aux professionnels et ne doivent être utilisés, entretenus et réparés que par un personnel autorisé et formé. Ce personnel doit être spécialement instruit quant aux dangers inhérents à l'utilisation de l'appareil. Le produit et ses accessoires peuvent s'avérer dangereux s'ils sont utilisés de manière incorrecte par un personnel non qualifié ou de manière non conforme à l'usage prévu.

La désignation du modèle et le numéro de série figurent sur sa plaque signalétique.

- ▶ Inscrivez le numéro de série dans le tableau suivant. Les informations produit vous seront demandées lorsque vous contactez nos revendeurs ou services après-vente.

2 Sécurité

2.1 Indications générales de sécurité pour les appareils électriques

⚠ AVERTISSEMENT ! Lire et comprendre toutes les consignes de sécurité et instructions. Tout manquement à l'observation des consignes de sécurité et instructions risque de provoquer une électrocution, un incendie et/ou de graves blessures.

Conservez toutes les consignes de sécurité et instructions.

Sécurité sur le lieu de travail

- ▶ **Conserver la zone de travail propre et bien éclairée.** Un lieu de travail en désordre ou mal éclairé augmente le risque d'accidents.
- ▶ **Ne pas faire fonctionner les outils électriques en atmosphère explosive et où se trouvent des liquides, des gaz ou poussières inflammables.** Les outils électriques produisent des étincelles qui peuvent enflammer les poussières ou les fumées.
- ▶ **Maintenir les enfants et les personnes présentes à l'écart pendant l'utilisation de l'outil électroportatif.** En cas d'inattention il y a un risque de perdre le contrôle de l'appareil.

Sécurité relative au système électrique

- ▶ **Éviter les contacts du corps avec des surfaces mises à la terre tels que tuyaux, radiateurs, cuisinières et réfrigérateurs.** Il y a un risque élevé de choc électrique au cas où votre corps serait relié à la terre.
- ▶ **Ne pas exposer les outils électroportatifs à la pluie ou à l'humidité.** La pénétration d'eau à l'intérieur d'un outil électroportatif augmente le risque d'un choc électrique.

Sécurité des personnes

- ▶ **Rester vigilant, surveiller ce que l'on fait. Faire preuve de bon sens en utilisant l'outil électrique. Ne pas utiliser l'outil électrique en étant fatigué ou sous l'emprise de l'alcool, de drogues ou de médicaments.** Un moment d'inattention lors de l'utilisation de l'outil électrique peut entraîner des blessures graves.
- ▶ **Utiliser un équipement de sécurité et toujours porter une protection pour les yeux.** Les équipements de protection personnels tels que masque antipoussière, chaussures de sécurité antidérapantes, casque de protection ou protection acoustique suivant l'utilisation de l'outil électroportatif, réduiront le risque de blessures des personnes.
- ▶ **Éviter une mise en service par mégarde. S'assurer que l'outil électrique est arrêté avant de le brancher à l'accu, de le prendre ou de le porter.** Le fait de porter l'outil électroportatif avec le doigt



sur l'interrupteur ou de brancher l'appareil sur la source de courant lorsque l'interrupteur est en position de fonctionnement peut entraîner des accidents.

- ▶ **Retirer tout outil de réglage ou toute clé avant de mettre l'outil électroportatif en fonctionnement.** Une clé ou un outil se trouvant sur une partie en rotation peut causer des blessures.
- ▶ **Adopter une bonne posture. Veiller à toujours garder une position stable et équilibrée.** Cela permet un meilleur contrôle de l'outil électroportatif dans des situations inattendues.
- ▶ **S'habiller de manière adaptée. Ne pas porter de vêtements amples ni de bijoux. Garder les cheveux, les vêtements et les gants à distance des parties en mouvement.** Des vêtements amples, des bijoux ou des cheveux longs peuvent être happés par des parties en mouvement.
- ▶ **Si des dispositifs servant à aspirer ou à recueillir les poussières doivent être utilisés, s'assurer qu'ils sont effectivement raccordés et correctement utilisés.** L'utilisation d'un dispositif d'aspiration de la poussière peut réduire les risques dus aux poussières.

Utilisation et maniement de l'outil électroportatif

- ▶ **Ne pas forcer l'appareil. Utiliser l'outil électroportatif adapté au travail à effectuer.** Un outil électroportatif approprié réalisera mieux le travail et de manière plus sûre au régime pour lequel il a été conçu.
- ▶ **Ne pas utiliser d'outil électroportatif dont l'interrupteur est défectueux.** Tout outil électroportatif qui ne peut plus être mis en ou hors fonctionnement est dangereux et doit être réparé.
- ▶ **Retirer le bloc-accu, avant d'effectuer des réglages sur l'appareil, de changer les accessoires ou de ranger l'appareil.** Cette mesure de précaution empêche une mise en fonctionnement par mégarde de l'outil électroportatif.
- ▶ **Conserver hors de portée des enfants les outils électroportatifs non utilisés. Ne pas permettre l'utilisation de l'appareil à des personnes qui ne se sont pas familiarisées avec celui-ci ou qui n'ont pas lu ces instructions.** Les outils électroportatifs sont dangereux lorsqu'ils sont entre les mains de personnes non initiées.
- ▶ **Prendre soin des outils électriques. Vérifier que les parties en mouvement fonctionnent correctement et qu'elles ne sont pas coincées, et contrôler si des parties sont cassées ou endommagées de sorte que le bon fonctionnement de l'outil électroportatif s'en trouve entravé. Faire réparer les parties endommagées avant d'utiliser l'appareil.** De nombreux accidents sont dus à des outils électroportatifs mal entretenus.
- ▶ **Garder les outils de coupe affûtés et propres.** Des outils destinés à couper correctement entretenus avec des arêtes de coupe tranchantes sont moins susceptibles de bloquer et sont plus faciles à contrôler.
- ▶ **L'outil électroportatif, les accessoires, les outils amovibles, etc. doivent être utilisés conformément à ces instructions. Tenir également compte des conditions de travail et du travail à réaliser.** L'utilisation des outils électroportatifs à d'autres fins que celles prévues peut entraîner des situations dangereuses.

Utilisation et maniement de l'outil sur accu

- ▶ **Ne charger les accus que dans des chargeurs recommandés par le fabricant.** Si un chargeur approprié à un type spécifique d'accus est utilisé avec des accus non recommandés pour celui-ci, il y a risque d'incendie.
- ▶ **Dans les outils électroportatifs, utiliser uniquement les accus spécialement prévus pour ceux-ci.** L'utilisation de tout autre accu peut entraîner des blessures et des risques d'incendie.
- ▶ **Tenir l'accu non utilisé à l'écart de tous objets métalliques tels qu'agrafes, pièces de monnaie, clés, clous, vis ou autres, étant donné qu'un pontage peut provoquer un court-circuit.** Un court-circuit entre les contacts d'accu peut provoquer des brûlures ou un incendie.
- ▶ **En cas d'utilisation abusive, du liquide peut sortir de l'accu. Éviter tout contact avec ce liquide.** Le liquide qui sort de l'accu peut entraîner des irritations de la peau ou causer des brûlures. En cas de contact par mégarde, rincer soigneusement avec de l'eau. En cas de contact de fluide avec les yeux, solliciter l'aide d'un personnel médical qualifié.

Service après-vente

- ▶ **L'outil électroportatif doit être réparé uniquement par un personnel qualifié, utilisant exclusivement des pièces de rechange d'origine.** Ceci permet d'assurer la sûreté de l'outil électroportatif.

2.2 Consignes de sécurité générales pour le meulage, le ponçage au papier abrasif, les travaux avec des brosses métalliques, le polissage et le tronçonnage :

- ▶ **Cet outil électroportatif doit être utilisé comme meuleuse, brosse métallique et tronçonneuse. Tenir compte de toutes les indications de sécurité, instructions, illustrations et données qui accompagnent l'appareil.** Le non-respect des instructions suivantes peut entraîner un choc électrique, un incendie et/ou de graves blessures sur les personnes.



- ▶ **Cet outil électroportatif n'est pas conçu pour le ponçage au papier abrasif, ni pour le polissage.** Les applications pour lesquelles l'outil électroportatif n'est pas prévu peuvent présenter un danger et provoquer des blessures.
- ▶ **N'utiliser aucun accessoire qui n'a pas été prévu spécifiquement pour cet appareil électrique ni recommandé par le fabricant.** Le simple fait de pouvoir fixer l'accessoire sur l'outil électroportatif ne garantit pas une utilisation sûre.
- ▶ **La vitesse admissible de l'outil amovible doit au moins être égale à la vitesse supérieure indiquée sur l'outil électroportatif.** Les accessoires dont la vitesse de rotation est supérieure à celle admissible risquent de se briser ou de voltiger.
- ▶ **Le diamètre extérieur et l'épaisseur de l'outil amovible doivent correspondre aux cotes de l'outil électroportatif.** Des outils amovibles mal dimensionnés peuvent ne pas être suffisamment protégés ou contrôlés.
- ▶ **Les outils amovibles munis d'un filetage doivent correspondre exactement au filetage de la broche de meulage.** Dans le cas d'outils amovibles qui sont montés au moyen d'une bride, le diamètre du trou de l'outil amovible doit coïncider avec le diamètre de préhension de la bride. Les outils amovibles qui ne s'adaptent pas exactement à l'outil électroportatif ne tournent pas de manière uniforme, vibrent fortement et risquent d'entraîner une perte de contrôle.
- ▶ **Ne pas utiliser d'outils amovibles endommagés.** Avant chaque utilisation, vérifier que les outils amovibles tels que les disques à meuler ne sont ni écaillés ni fendus, que les plateaux ne sont pas fendus, usés ou fortement détériorés, et que les brosses métalliques n'ont pas de fils manquants ou cassés. En cas de chute de l'outil électroportatif ou de l'outil amovible, contrôler s'il est endommagé et, le cas échéant, utiliser un outil amovible non endommagé. Une fois l'outil amovible contrôlé et monté, l'utilisateur ainsi que les personnes se trouvant à proximité doivent se tenir en dehors du plan de l'outil amovible rotatif et veiller à laisser tourner l'appareil pendant une minute à la vitesse de rotation maximale. Les outils amovibles endommagés se cassent le plus souvent lors de cette période de test.
- ▶ **Porter des équipements de protection individuelle.** Utiliser, selon l'application, une protection du visage, une protection des yeux ou des lunettes de protection. Dans la mesure où ces équipements sont appropriés, porter un masque anti-poussière, un casque antibruit, des gants de protection ou un tablier spécial qui permettent de maintenir à distance les petites particules de matériau et de meulage. Les yeux devraient être protégés contre les corps étrangers projetés en l'air, produits par diverses applications. Les masques anti-poussière ou respiratoire doivent filtrer la poussière résultant de l'utilisation. En cas d'exposition prolongée à un bruit important, il y a risque de perte d'audition.
- ▶ **Veiller à ce que les autres personnes se tiennent à une distance de sécurité de l'espace de travail.** Toute personne accédant à l'espace de travail doit porter des équipements de protection individuelle. Des éclats de la pièce travaillée ou des outils amovibles cassés risquent d'être projetés en l'air et de provoquer des blessures même à l'extérieur de l'espace de travail direct.
- ▶ **Tenir l'outil électroportatif seulement par les surfaces isolées des poignées lors des travaux pendant lesquels l'appareil utilisé risque de toucher des câbles électriques cachés.** Le contact avec un câble sous tension risque aussi de mettre les parties métalliques de l'appareil sous tension et de provoquer une décharge électrique.
- ▶ **Tenir le câble d'alimentation réseau éloigné des outils amovibles rotatifs.** En cas de perte de contrôle de l'appareil, le câble d'alimentation réseau peut être sectionné ou intercepté, et la main ou le bras de l'utilisateur risque de toucher l'outil amovible rotatif.
- ▶ **Ne jamais poser l'outil électroportatif avant que l'outil amovible soit complètement arrêté.** L'outil amovible rotatif peut entrer en contact avec la surface sur laquelle l'outil électroportatif est posé, risquant d'entraîner ainsi une perte de contrôle de l'outil électroportatif.
- ▶ **Ne pas laisser l'outil électroportatif tourner en le portant.** Les vêtements risquent d'être happés par un contact accidentel avec l'outil amovible rotatif et l'outil amovible risque de perforer le corps de l'utilisateur.
- ▶ **Nettoyer régulièrement les fentes de ventilation de l'outil électroportatif.** Le ventilateur du moteur attire la poussière dans le carter, et une forte accumulation de poussière métallique peut représenter des dangers électriques.
- ▶ **Ne pas utiliser l'outil électroportatif à proximité de matériaux inflammables.** Des étincelles risquent d'enflammer ces matériaux.
- ▶ **Ne pas utiliser d'outils amovibles qui requièrent l'utilisation de réfrigérants liquides.** L'utilisation d'eau ou d'autres réfrigérants liquides risque de provoquer une décharge électrique.

Contrecoup et indications de sécurité correspondantes

Un contrecoup est une réaction soudaine d'un outil amovible rotatif qui est resté accroché ou bloqué, comme un disque à meuler, un plateau de ponçage, une brosse métallique, etc. L'accrochage ou le blocage



entraîne un arrêt brutal de l'outil amovible rotatif. De ce fait, un outil électroportatif incontrôlé est accéléré, à l'endroit du blocage, dans le sens de rotation opposé à celui de l'outil amovible.

Si par ex. un disque à meuler reste accroché ou se bloque dans la pièce travaillée, l'arête du disque à meuler plongée dans la pièce peut rester accrochée et provoquer l'éclatement du disque à meuler ou un contrecoup. Le disque à meuler se déplace ensuite vers l'utilisateur ou s'éloigne de lui, selon le sens de rotation du disque à l'endroit du blocage. Ici aussi les disques à meuler risquent de se casser.

Un contrecoup est la conséquence d'une mauvaise utilisation ou d'une utilisation incorrecte de l'outil électroportatif. Il peut être évité en prenant les mesures de précaution adaptées telles que décrites ci-dessous.

- ▶ **Bien tenir l'outil électroportatif, et garder le corps et les bras dans une position permettant d'amortir les forces de contrecoup. Toujours utiliser la poignée supplémentaire, si celle-ci est présente, afin d'avoir le meilleur contrôle possible sur les forces de contrecoup ou les couples antagonistes lors de l'accélération à pleine vitesse.** L'utilisateur peut maîtriser les forces de contrecoup et antagonistes en prenant les précautions appropriées.
- ▶ **Ne jamais approcher la main des outils amovibles rotatifs.** En cas de contrecoup, l'outil amovible risque d'aller sur la main de l'utilisateur.
- ▶ **Éviter de se tenir dans l'espace dans lequel l'outil électroportatif serait en mouvement en cas de contrecoup.** Le contrecoup entraîne l'outil électroportatif dans le sens opposé au déplacement du disque à l'endroit du blocage.
- ▶ **Travailler avec une extrême prudence dans les coins, arêtes vives, etc. Éviter que les outils amovibles rebondissent sur la pièce à travailler et se coincent.** L'outil amovible rotatif a tendance à se coincer dans les coins, sur les arêtes vives ou lorsqu'il rebondit. Ceci entraîne une perte de contrôle ou un contrecoup.
- ▶ **Ne pas utiliser de lames de scie à chaîne ou dentées.** De tels outils amovibles entraînent souvent un contrecoup ou la perte de contrôle de l'outil électroportatif.

Consignes de sécurité particulières pour le meulage et le tronçonnage

- ▶ **Utiliser exclusivement les disques autorisés pour l'outil électroportatif concerné et les carters de protection prévus pour ces disques.** Les disques qui ne sont pas conçus pour l'outil électroportatif peuvent ne pas être suffisamment protégés et ne sont pas sûrs.
- ▶ **Les disques à meuler coudés doivent être montés de sorte que leur surface de meulage ne dépasse pas le bord du carter de protection.** Un disque à meuler monté de manière inappropriée, c.-à-d. dont la surface de meulage dépasse le bord du carter de protection, ne peut pas être suffisamment protégé.
- ▶ **Le carter de protection doit être solidement fixé sur l'outil électroportatif et réglé de manière à atteindre la sécurité maximale, c.-à-d. que la plus petite partie possible du disque doit être ouverte en direction de l'utilisateur.** Le carter de protection doit protéger l'utilisateur des éclats et d'un contact accidentel avec le disque, ainsi que des étincelles qui risquent d'enflammer les vêtements.
- ▶ **Les disques doivent uniquement être utilisés pour les possibilités d'applications recommandées. Par exemple : Ne jamais meuler avec la surface latérale d'un disque à tronçonner.** Les disques à tronçonner sont prévus pour attaquer le matériau avec l'arête du disque. Une action latérale sur ces disques risque de les casser.
- ▶ **Toujours utiliser des brides de serrage en parfait état, de dimensions et de forme adaptées au disque à meuler choisi.** Des brides adaptées soutiennent le disque et réduisent le risque de cassure du disque à meuler. Les brides de serrage destinées aux disques à tronçonner peuvent être différentes des brides pour d'autres disques à meuler.
- ▶ **Ne pas utiliser de disques à meuler usés provenant d'outils électroportatifs plus grands.** Les disques à meuler destinés aux outils électroportatifs plus grands ne sont pas dimensionnés pour les vitesses supérieures des outils électroportatifs plus petits et risquent de se casser.

Autres consignes de sécurité particulières relatives au tronçonnage :

- ▶ **Éviter de bloquer le disque à tronçonner et de le soumettre à une pression trop forte. Ne pas effectuer de coupes de profondeur excessive.** Une surcharge du disque à tronçonner augmente sa sollicitation et la probabilité de piégeage ou de blocage, et par conséquent l'éventualité d'un contrecoup ou de cassure du disque.
- ▶ **Éviter la zone devant et derrière le disque à tronçonner rotatif.** Si l'utilisateur écarte de lui le disque à tronçonner dans la pièce à travailler, l'outil électroportatif avec le disque rotatif risquent, en cas de contrecoup, d'être projetés directement sur l'utilisateur.
- ▶ **Si le disque à tronçonner se coince ou que le travail est interrompu, débrancher l'appareil et attendre tranquillement jusqu'à ce que le disque s'arrête. Ne jamais essayer de sortir le disque à tronçonner encore en rotation de la coupe, sans quoi un contrecoup risque de se produire.** Déterminer et résoudre la cause du coincement.
- ▶ **Ne jamais remettre l'outil électroportatif en marche tant qu'il se trouve dans la pièce à travailler. Attendre que le disque à tronçonner atteigne la pleine vitesse avant de poursuivre prudemment la**

coupe. Dans le cas contraire, le disque risque de s'accrocher, de sauter de la pièce ou d'entraîner un contrecoup.

- ▶ **Soutenir les panneaux ou grandes pièces à travailler afin de réduire le risque d'un contrecoup causé par un disque à tronçonner coincé.** De grandes pièces à travailler peuvent se courber sous leur propre poids. La pièce à travailler doit être soutenue des deux côtés du disque et ce, aussi bien à proximité de la coupe que sur l'arête.
- ▶ **Procéder avec une extrême prudence en cas de « coupes en plongée » dans des murs existants ou autres zones imprévisibles.** Le disque à tronçonner plongeant risque de sectionner des conduites d'eau ou de gaz, des câbles ou gaines électriques, ou d'autres objets, et de causer un contrecoup.

Consignes de sécurité particulières pour les travaux avec brosses métalliques :

- ▶ **Veiller à ce que la brosse métallique ne perde pas de morceaux de fil pendant l'usage courant. Ne pas surcharger les fils du fait d'une pression exercée trop importante.** Les morceaux de fil en suspension dans l'air peuvent très facilement passer à travers les vêtements fins et/ou la peau.
- ▶ **Si un carter de protection est recommandé, éviter que le carter de protection et la brosse métallique ne se touchent.** Le diamètre des brosses plateau et « boisseau » peut être agrandi sous l'effet de la pression exercée et les forces centrifuges.

2.3 Consignes de sécurité supplémentaires

Sécurité des personnes

- ▶ Utiliser le produit uniquement s'il est en parfait état.
- ▶ Ne jamais entreprendre de manipulation ni de modification sur l'appareil.
- ▶ Éviter de toucher des pièces en rotation – Risque de blessures !
- ▶ Porter aussi des gants de protection pour changer d'outil. Risque de blessures par coupure et de brûlures au contact avec l'outil amovible.
- ▶ Avant le début du travail, prendre connaissance de la classe de risque de la poussière générée lors des travaux. Utiliser un aspirateur avec une classification de sécurité autorisée officiellement et conforme aux dispositions locales concernant les poussières. Les poussières de matériaux telles que des peintures contenant du plomb, certains types de bois, du béton / de la maçonnerie / des pierres naturelles qui contiennent du quartz ainsi que des minéraux et des métaux peuvent être nuisibles à la santé.
- ▶ Veiller à ce que le poste de travail soit bien ventilé et porter, le cas échéant, un masque de protection respiratoire adapté au type de poussières. Le contact ou l'aspiration de poussière peut provoquer des réactions allergiques et/ou des maladies respiratoires de l'utilisateur ou de toute personne se trouvant à proximité. Certaines poussières, telles que des poussières de chêne ou de hêtre, sont réputées être cancérigènes, en particulier lorsqu'elles sont combinées à des additifs destinés au traitement du bois (chromate, produit de protection du bois). Les matériaux contenant de l'amiante doivent seulement être manipulés par un personnel spécialisé.
- ▶ Faire régulièrement des pauses et des exercices pour favoriser l'irrigation sanguine dans les doigts. En cas de travaux prolongés, les vibrations peuvent perturber la circulation dans les vaisseaux sanguins ou le système nerveux dans les doigts, les mains ou le poignet.

Sécurité relative au système électrique

- ▶ Avant d'entamer le travail, vérifier qu'il n'y a pas de câbles ou gaines électriques, tuyaux de gaz ou d'eau cachés dans la zone d'intervention. Toutes pièces métalliques extérieures de l'appareil sont susceptibles de provoquer une décharge électrique si un câble électrique est endommagé par inadvertance.

Utilisation et emploi soigneux des outils électroportatifs

- ▶ Ne jamais ébarber avec un disque à tronçonner.
- ▶ Serrer fermement l'outil amovible et le flasque. Si l'outil amovible et le flasque ne sont pas bien serrés, il y a un risque après l'arrêt que l'outil amovible se détache de la broche lors du freinage par le moteur de l'appareil.
- ▶ Respecter les instructions du fabricant relatives au maniement et au stockage des disques à meuler.

2.4 Utilisation et emploi soigneux des batteries

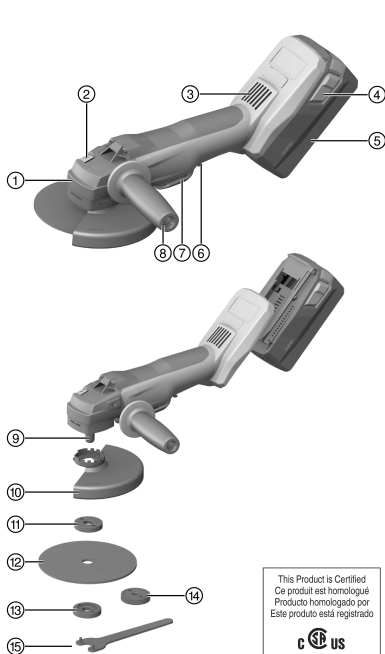
- ▶ Respecter les directives spécifiques relatives au transport, au stockage et à l'utilisation des batteries li-ion.
- ▶ Ne pas exposer les batteries à des températures élevées, ni au rayonnement direct du soleil ou au feu.
- ▶ Les batteries ne doivent pas être démontées, écrasées, chauffées à une température supérieure à 80 °C ou jetées au feu.



- ▶ Ne jamais utiliser ni charger d'accus qui ont subi un choc électrique, qui sont tombés de plus d'un mètre ou qui ont été endommagés d'une manière quelconque. Si tel est le cas, il convient de contacter le **S.A.V Hilti**.
- ▶ Si la batterie est trop chaude pour être touchée, elle peut être défectueuse. Déposer le produit à un endroit non inflammable d'où il peut être surveillé, à une distance suffisante de matériaux inflammables et le laisser refroidir. Si tel est le cas, il convient de contacter le **S.A.V Hilti**.

3 Description

3.1 Vue d'ensemble du produit



- ① Bouton de déverrouillage des capots
- ② Bouton de blocage de la broche
- ③ Ouïes d'aération
- ④ Bouton de déverrouillage avec fonction supplémentaire d'activation de l'indicateur de l'état de charge
- ⑤ Accu
- ⑥ Dispositif de blocage de l'interrupteur
- ⑦ Interrupteur Marche / Arrêt
- ⑧ Poignée latérale anti-vibration
- ⑨ Broche
- ⑩ Carter de protection standard
- ⑪ Flasque de serrage
- ⑫ Disque à tronçonner / disque à ébarber
- ⑬ Écrou de serrage
- ⑭ Écrou à serrage rapide **Kwik lock** (en option)
- ⑮ Clé de serrage

This Product is Certified
Ce produit est homologué
Producto homologado por
Este producto está registrado

3.2 Utilisation conforme à l'usage prévu

Le produit décrit est une meuleuse d'angle sans fil à guidage manuel. Il a été conçu pour le tronçonnage et l'ébarbage de matériaux métalliques et minéraux ainsi que le brossage sans utilisation d'eau. Il doit exclusivement être utilisé pour des travaux de meulage/découpe à sec.

- Le tronçonnage, le rainurage et l'ébarbage de matériaux minéraux est uniquement autorisé à condition d'utiliser le carter de protection (disponible en option) approprié.
- D'une manière générale, il est recommandé d'utiliser un carter dépollueur assorti d'un système d'aspiration **Hilti** adéquat pour travailler sur des matériaux d'origine minérale comme le béton ou la pierre. Cela protège l'utilisateur et prolonge la durée de vie de l'appareil et de l'outil amovible.
- ▶ Pour ce produit, utiliser exclusivement les accus Li-Ion **Hilti** de la série B 36.
- ▶ Pour ces accus, utiliser exclusivement les chargeurs **Hilti** de la série C4/36.

3.3 Éléments livrés

Meuleuse d'angle, poignée latérale, carter de protection standard, cache avant, flasque de serrage, écrou de serrage, clé de serrage, mode d'emploi.

3.4 Système de protection thermique du moteur

Ce système de protection thermique supervise l'intensité du courant absorbé ainsi que le réchauffement du moteur, écartant ainsi tout risque de surchauffe de l'appareil.

Si le moteur vient à être en surcharge du fait d'une pression exercée trop importante, la puissance de l'appareil est considérablement réduite ou l'appareil peut s'arrêter.

En cas d'arrêt ou de diminution de vitesse de rotation à cause d'une surcharge, dégager l'appareil et le laisser tourner à vide pendant 30 secondes environ.

3.5 Carter de protection avec cache avant 2

Pour l'ébarbage avec des disques à ébarber droits et pour le tronçonnage par abrasion avec des disques à tronçonner lors de travaux sur des matières métalliques, utiliser uniquement le carter de protection standard avec cache avant.

3.6 Capot dépolvéiseur compact pour travaux de tronçonnage DC-EX 125/5" C (accessoire) 3

Utiliser le capot dépolvéiseur compact DC-EX 125/5" C pour le tronçonnage de matériaux support minéraux avec des disques à tronçonner diamant.

ATTENTION Les travaux sur métaux sont interdits avec ce carter.

3.7 Capot dépolvéiseur (meulage) DG-EX 125/5" (accessoire) 4

Le système de meulage est uniquement destiné à un meulage occasionnel de matériaux d'origine minérale à l'aide de disques « boisseau » diamantées.

ATTENTION Les travaux sur métaux sont interdits avec ce capot.

3.8 Consommables

Utiliser uniquement des disques renforcés aux fibres et liés à la résine avec un Ø de 6" max., homologués pour une vitesse de rotation minimale de 8500 tr/min et une vitesse périphérique admissible de 80 m/s.

L'épaisseur de meule à ébarber peut être de 1/4" max. et l'épaisseur de meule à tronçonner par abrasion de 1/8" max.

ATTENTION ! Pour le tronçonnage et le rainurage avec des meules à tronçonner par abrasion, toujours utiliser le carter de protection standard avec cache avant supplémentaire ou un capot dépolvéiseur complètement fermé.

Disques

	Application	Nom	Matériau support
Disque à tronçonner abrasif	Tronçonnage, rainurage	AC-D	métallique
Disque à tronçonner diamant	Tronçonnage, rainurage	DC-D, DC-TP, SPX, SP,P	minéral
Disque à ébarber abrasif	Ébarbage	AG-D, AF-D, AN-D, AG-D type 27	métallique
Disque à ébarber diamant	Ébarbage	DG-CW (SPX, SP, P)	minéral
Brosse métallique	Brosses métalliques	3CS, 4CS, 3SS, 4SS	métallique

Attribution des disques à l'équipement utilisé

Pos.	Équipement	AC-D	AG-D	AF-D	AN-D	DG-CW (SPX, SP, P)	DC-D, DC-TP, SPX, SP,P	3CS, 4CS, 3SS, 4SS	AG-D type 27
A	Carter de protection	X	X	X	X	X	X	X	—
B	Cache avant (en liaison avec A)	X	—	—	—	—	X	—	—
C	Capot dépolvéiseur (meulage) DG-EX 125/5"	—	—	—	—	X	-	—	—



Pos.	Équipement	AC-D	AG-D	AF-D	AN-D	DG-CW (SPX, SP, P)	DC-D, DC-TP, SPX, SP,P	3CS, 4CS, 3SS, 4SS	AG-D type 27
D	Capot dépolvéuseur (tronçonnage) DC-EX 125/5°C (en liaison avec A)	—	—	—	—	-	X	—	—
E	Poignée latérale	X	X	X	X	X	X	X	X
F	Poignée-étrier DCBG 125 (en option pour E)	X	X	X	X	X	X	X	X
G	Écrou de serrage	X	X	X	X	X	X	—	—
H	Flasque de serrage	X	X	X	X	X	X	—	—
I	Kwik lock (en option pour G)	X	X	X	X	-	X	—	—
J	Carter de protection type 27	—	—	—	—	—	—	—	X

3.9 Indicateur de l'état de charge de l'accu Li-Ion

L'état de charge de l'accu Li-Ion peut être visualisé en appuyant légèrement sur l'un des deux boutons de déverrouillage.

État	Signification
4 LED allumées.	• État de charge : 75 % à 100 %
3 LED allumées.	• État de charge : 50 % à 75 %
2 LED allumées.	• État de charge : 25 % à 50 %
1 LED allumée.	• État de charge : 10 % à 25 %
1 LED clignote.	• État de charge : < 10 %



Il n'est pas possible de consulter l'indicateur de l'état de charge pendant et immédiatement après les travaux. Si les LED de l'indicateur de l'état de charge de l'accu clignotent, se reporter au chapitre Aide au dépannage.

4 Caractéristiques techniques

4.1 Meuleuse d'angle

	AG 600-A36
Tension de référence	36 V
Vitesse de rotation de référence	8.500 tr/min
Diamètre de disque maximal	6 in
Diamètre de disque maximal	150 mm
Poids	7,7 lb (3,5 kg)
Filetage de la broche d'entraînement	5/8"-11

5 Mise en service

5.1 Introduction de l'accu

ATTENTION

Risque de blessures. par la mise en marche inopinée de la meuleuse d'angle.

- ▶ Avant d'insérer l'accu, s'assurer que la meuleuse d'angle est bien sur arrêt et que le blocage anti-démarrage est activé.

ATTENTION

Danger électrique. Des contacts encrassés risquent de provoquer un court-circuit.

- ▶ Avant d'insérer l'accu, s'assurer que les contacts de l'accu et les contacts de la meuleuse d'angle sont exempts de tout corps étranger.

ATTENTION

Risque de blessures. Si l'accu n'est pas correctement mis en place, il risque de tomber.

- ▶ Vérifier que l'accu est bien en place dans l'appareil, afin qu'il ne tombe pas et ne mette personne en danger.
- ▶ Mettre l'accu en place et vérifier que l'accu est bien en place dans l'appareil.

5.2 Retrait de l'accu

- ▶ Enlever l'accu.

5.3 Montage de la poignée latérale

- ▶ Visser la poignée latérale sur une des douilles filetées prévues à cet effet.


5.4 Montage ou démontage du carter de protection

ATTENTION

Risque de blessures. L'outil amovible peut être brûlant ou présenter des arêtes vives.

- ▶ Porter des gants de protection pour le montage, le démontage, le réglage/l'ajustage et le dépannage.
- ▶ Respecter les instructions de montage relatives au carter de protection utilisé.

5.4.1 Montage du carter de protection

 Le carter de protection présente des cames codées qui permettent d'assurer que seul un carter de protection approprié peut être monté sur l'appareil. Le carter de protection glisse avec ses cames codées dans le logement du carter de l'appareil.

1. Positionner le carter de protection sur le collet de la broche de manière à ce que les deux repères en forme de triangle sur le carter de protection et sur l'appareil soient l'un en face de l'autre.
2. Appuyer sur le carter de protection sur le collet de la broche.
3. Appuyer sur le bouton de déverrouillage du carter.
4. Tourner le carter de protection jusqu'à ce qu'il s'encliquette et que le bouton de déverrouillage du carter ressorte.

5.4.2 Ajustage du carter de protection

- ▶ Appuyer sur le bouton de déverrouillage du carter et tourner le carter de protection dans la position souhaitée jusqu'à ce qu'il s'encliquette.

5.4.3 Démontage du carter de protection

1. Appuyer sur le bouton de déverrouillage du carter et tourner le carter de protection jusqu'à ce que les deux repères en forme de triangle, sur le carter de protection et sur l'appareil, soient l'un en face de l'autre.
2. Retirer le carter de protection.



5.5 Montage ou démontage du cache avant



Si le travail s'effectue avec le cache avant, ce dernier se monte sur le carter de protection.

1. Mettre le cache avant en place avec le côté fermé sur le carter de protection standard jusqu'à ce qu'il s'encliquette.
2. Pour le démonter, ouvrir le dispositif d'encliquetage du cache avant et retirer ce dernier du carter de protection standard.

5.6 Positionnement du capot dépolvéiéreur compact DC-EX 125/5" C

- ▶ Positionner le capot dépolvéiéreur compact de sorte que l'interrupteur Marche / Arrêt soit à tout moment accessible et puisse être actionné.

5.7 Montage ou démontage des outil amovibles



AVERTISSEMENT

Risque de blessures. L'outil amovible risque de se détacher de la broche lors du freinage par le moteur de l'appareil.

- ▶ Attendre que l'outil amovible soit complètement arrêté avant de toucher l'outil amovible ou l'écrou de serrage.
- ▶ Serrer l'outil amovible et le flasque de serrage à l'aide de l'écrou à serrage de sorte qu'aucune partie ne se détache de la broche lors du freinage par le moteur de l'appareil.



ATTENTION

Risque de blessures. L'outil amovible peut être brûlant.

- ▶ Porter des gants de protection pour changer d'outil amovible.



ATTENTION

Risque de détachement incontrôlé en cas d'utilisation d'un l'outil amovible avec filetage intégré ! Un montage inapproprié de l'outil amovible peut entraîner de graves blessures.

- ▶ Toujours serrer à la main l'outil amovible avec filetage intégré.



Les disques diamantés doivent être remplacés, sitôt que les performances de tronçonnage resp. de meulage sont nettement réduites. C'est d'une manière générale le cas, lorsque la hauteur des segments diamantés est inférieure à 1/16".

D'autres types de disques doivent être remplacés sitôt que les performances de tronçonnage sont nettement réduites, ou que des parties de la meuleuse d'angle (hormis le disque) entrent en contact avec le matériau travaillé en cours d'intervention.

Les disques abrasifs doivent être remplacés à expiration de la date de péremption.

5.7.1 Montage de l'outil amovible

1. Enlever l'accu. → Page 24
2. Nettoyer le flasque de serrage et l'écrou de serrage.
3. Placer la bride de serrage sur la broche.
4. Monter l'outil amovible.
5. Bien serrer l'écrou de serrage en fonction de l'outil amovible utilisé.
6. Appuyer sur le bouton de blocage de la broche et le maintenir enfoncé.
7. Serrer l'écrou de serrage à l'aide de la clé de serrage, relâcher ensuite le bouton de blocage de la broche et retirer la clé de serrage.

5.7.2 Démontage de l'outil amovible

1. Enlever l'accu. → Page 24



ATTENTION

Risque de cassure et de détérioration. Appuyer sur le bouton de blocage de la broche alors que la broche tourne pour détacher l'outil amovible.

- ▶ Appuyer uniquement sur le bouton de blocage de la broche lorsque la broche de meulage est immobile.

2. Appuyer sur le bouton de blocage de la broche et le maintenir enfoncé.
3. Desserrer l'écrou de serrage en mettant la clé de serrage en place puis en la tournant dans le sens contraire des aiguilles d'une montre.
4. Relâcher le bouton de blocage de la broche et enlever l'outil amovible.

5.7.3 Montage de l'outil amovible avec écrou à serrage rapide **Kwik lock**

ATTENTION

Risque de casse. Il y a un risque de casse de l'écrou à serrage rapide **Kwik lock** en cas d'usure excessive.

- ▶ Veiller à ce que lors du travail, l'écrou de serrage rapide **Kwik lock** ne soit pas en contact avec le matériau support.
- ▶ Ne pas utiliser d'écrou à serrage rapide **Kwik lock** endommagé.



L'écrou à serrage rapide **Kwik lock** peut être utilisé en option au lieu de l'écrou de serrage. Ceci permet de changer d'outil amovible sans devoir recourir à un outil supplémentaire.

1. Enlever l'accu. → Page 24
2. Nettoyer le flasque de serrage et l'écrou à serrage rapide.
3. Placer la bride de serrage sur la broche.
4. Monter l'outil amovible.
5. Visser l'écrou à serrage rapide **Kwik lock** à fond sur l'outil amovible.
 - ◀ L'inscription **Kwik lock** est visible à l'état vissé.
6. Appuyer sur le bouton de blocage de la broche et le maintenir enfoncé.
7. Continuer à tourner fortement l'outil amovible à la main, dans le sens des aiguilles d'une montre, jusqu'à ce que l'écrou à serrage rapide **Kwik lock** soit bien serré et relâcher ensuite le bouton de blocage de la broche.

5.7.4 Démontage de l'outil amovible avec écrou à serrage rapide **Kwik lock**

1. Enlever l'accu. → Page 24

ATTENTION

Risque de cassure et de détérioration. Appuyer sur le bouton de blocage de la broche alors que la broche tourne pour détacher l'outil amovible.

- ▶ Appuyer uniquement sur le bouton de blocage de la broche lorsque la broche de meulage est immobile.
2. Appuyer sur le bouton de blocage de la broche et le maintenir enfoncé.
 3. Desserrer l'écrou à serrage rapide **Kwik lock** en le tournant à la main dans le sens contraire des aiguilles d'une montre.
 4. S'il n'est pas possible de desserrer l'écrou à serrage rapide **Kwik lock** à la main, mettre la clé de serrage sur l'écrou à serrage rapide et tourner dans le sens contraire des aiguilles d'une montre.



Ne jamais utiliser de clé à pipe afin que l'écrou à serrage rapide **Kwik lock** ne soit pas endommagé.

5. Relâcher le bouton de blocage de la broche et enlever l'outil amovible.

5.7.5 Montage de l'outil amovible avec filetage intégré

1. Enlever l'accu. → Page 24
2. Visser l'outil amovible sur la broche.
3. Appuyer sur le bouton de blocage de la broche et le maintenir enfoncé.
4. Bien serrer l'outil amovible à l'aide d'une clé à fourche et relâcher ensuite le bouton de blocage de la broche.

5.7.6 Démontage de l'outil amovible

1. Enlever l'accu. → Page 24

ATTENTION

Risque de cassure et de détérioration. Appuyer sur le bouton de blocage de la broche alors que la broche tourne pour détacher l'outil amovible.

- ▶ Appuyer uniquement sur le bouton de blocage de la broche lorsque la broche de meulage est immobile.



2. Appuyer sur le bouton de blocage de la broche et le maintenir enfoncé.
3. Desserrer l'outil amovible à l'aide d'une clé à fourche.
4. Relâcher le bouton de blocage de la broche et enlever l'outil amovible.

6 Utilisation

6.1 Meulage

ATTENTION

Risque de blessures. L'outil amovible peut brusquement se bloquer ou resté accroché.

- ▶ Toujours utiliser l'appareil avec la poignée latérale (en option avec la poignée étrier) et toujours maintenir fermement l'appareil avec les deux mains.

6.2 Tronçonnage

- ▶ Lors de travaux de tronçonnage, veiller à travailler en avançant modérément et à ne pas incliner l'appareil ni le disque à tronçonner (position de travail à 90° env. par rapport au plan de tronçonnage).



Pour découper des profils ou des petits tuyaux carrés, le meilleur résultat est obtenu sur la section la plus petite du disque à tronçonner.

6.3 Ébarbage

ATTENTION

Risque de blessures. Le disque à tronçonner peut éclater et les parties détachées peuvent provoquer des blessures.

- ▶ Ne jamais ébarber avec un disque à tronçonner.
- ▶ Ajuster l'appareil selon un angle d'attaque de 5° à 30° et en exerçant une légère pression d'avant en arrière.
 - ◀ Ainsi, la pièce à travailler ne s'échauffe pas, ne se colore pas et il ne se forme pas de rainures.

6.4 Mise en marche à l'aide de l'interrupteur Marche / Arrêt avec blocage anti-démarrage



L'interrupteur Marche / Arrêt avec blocage permet de contrôler le fonctionnement de l'interrupteur et d'éviter un démarrage par mégarde de l'appareil.

1. Pousser le dispositif de blocage anti-démarrage vers l'avant.
 - ◀ L'interrupteur Marche / Arrêt est déverrouillé.
2. Enfoncer complètement l'interrupteur Marche / Arrêt.
 - ◀ Le moteur de l'appareil tourne à vide.

6.5 Mise à l'arrêt à l'aide de l'interrupteur Marche / Arrêt avec blocage anti-démarrage

- ▶ Relâcher l'interrupteur Marche / Arrêt.
 - ◀ Le dispositif de blocage anti-démarrage se met automatiquement en position de blocage.

7 Nettoyage, entretien, transport et entreposage

7.1 Entretien de l'appareil

DANGER

Décharge électrique à cause d'un défaut de double isolation. Dans des conditions d'utilisation extrêmes, lors de travaux sur des métaux, la poussière de matériaux conducteurs (p. ex. métal, fibres de carbone) peut se déposer à l'intérieur de l'appareil et endommager la double isolation électrique.

- ▶ Dans des conditions d'utilisation extrêmes, utiliser un dispositif d'aspiration stationnaire.
- ▶ Nettoyer régulièrement les fentes de ventilation.

**AVERTISSEMENT**

Danger d'électrocution. Des réparations inappropriées sur des composants électriques peuvent entraîner de graves blessures corporelles.

- ▶ Les réparations des composants électriques doivent exclusivement être effectuées par un électricien qualifié.

**ATTENTION**

Mise en marche par inadvertance. Si l'accu n'est pas retiré de l'appareil, il y a un risque de mettre l'appareil en marche inopinément lors des travaux de nettoyage ; il y a alors risque de blessures.

- ▶ Avant d'entamer des travaux de nettoyage, retirer l'accu de l'appareil.
- ▶ Tenir l'appareil, en particulier les surfaces de préhension, sec, propre et exempt d'huile et de graisse. Ne pas utiliser de nettoyeurs à base de silicone.
- ▶ Ne jamais faire fonctionner la meuleuse d'angle si ses ouïes d'aération sont bouchées ! Les nettoyer avec précaution au moyen d'une brosse sèche. Éviter toute pénétration de corps étrangers à l'intérieur de l'appareil.
- ▶ Nettoyer régulièrement l'extérieur de l'appareil avec un chiffon légèrement humide. Pour nettoyer, ne pas utiliser d'appareil diffuseur, d'appareil à jet de vapeur ou d'eau courante, car cela pourrait nuire à la sécurité électrique de l'appareil.



Des interventions fréquentes sur des matériaux conducteurs (p. ex. métal, fibres de carbone) peuvent entraîner une réduction des intervalles d'entretien. Tenir compte de l'analyse des risques spécifique au lieu d'intervention.



Pour une utilisation en toute sécurité, utiliser uniquement des pièces de rechange et consommables d'origine. Vous trouverez les pièces de rechange, consommables et accessoires autorisés par Hilti convenant pour votre produit dans le centre **Hilti** ou sous : www.hilti.com

7.2 Entretien de l'accu Li-Ion

- ▶ Veiller à ce que l'accu soit toujours sec, propre et exempt de traces de graisse et d'huile.
- ▶ Nettoyer régulièrement l'extérieur de l'appareil avec un chiffon légèrement humide. Ne pas utiliser de nettoyeurs à base de silicone.
- ▶ Pour que les accus atteignent leur longévité maximale, terminer la décharge dès que la puissance de l'appareil diminue nettement.
- ▶ Charger les accus uniquement à l'aide des chargeurs **Hilti** homologués pour les accus Li-Ion.

7.3 Contrôle après des travaux de nettoyage et d'entretien

- ▶ Après des travaux de nettoyage et d'entretien, vérifier si tous les équipements de protection sont bien en place et fonctionnent parfaitement.

7.4 Transport et entreposage

**AVERTISSEMENT**

Risque d'incendie. Danger de court-circuit.

- ▶ Ne jamais stocker ou transporter les accus Li-Ion en vrac sans protection.
- ▶ Tirer l'accu hors de la position de verrouillage dans la première position d'encliquetage.
- ▶ Pour l'expédition de l'accu, que ce soit par transport routier, ferroviaire, maritime ou aérien, il convient d'observer les directives nationales et internationales en vigueur.



L'accu doit être stocké de préférence complètement chargé et, si possible, dans un endroit sec et frais. Le stockage des accus à des températures élevées (derrière des vitres) est défavorable, réduit la longévité des accus et augmente le taux d'autodécharge des éléments.

Si l'accu n'est plus complètement chargé, c'est qu'il a perdu de sa capacité par vieillissement ou sollicitation excessive. Il est encore possible de travailler avec cet accu. Il faudrait néanmoins penser à le remplacer à temps par un neuf.



8 Aide au dépannage

En cas de défaillances non énumérées dans ce tableau ou auxquelles il n'est pas possible de remédier sans aide, contacter le S.A.V. **Hilti**.

Défaillance	Causes possibles	Solution
L'accu se décharge plus rapidement que d'habitude.	Température ambiante très basse.	▶ Laisser l'accu se réchauffer lentement à la température ambiante.
L'accu ne s'encliquette pas avec un « clic » audible.	Ergots d'encliquetage encrassés sur l'accu.	▶ Nettoyer les ergots d'encliquetage et réencliqueter l'accu dans son logement.
1 LED clignote. L'appareil ne fonctionne pas.	L'accu est déchargé.	▶ Remplacer l'accu et charger l'accu vide.
	L'accu est trop froid ou trop chaud.	▶ Laisser l'accu se réchauffer ou refroidir lentement à la température ambiante.
Toutes les 4 LED clignent. L'appareil ne fonctionne pas.	L'appareil est surchargé.	▶ Relâcher le variateur électronique de vitesse et l'actionner à nouveau. Laisser ensuite l'appareil tourner à vide pendant 30 secondes environ.
Important dégagement de chaleur dans la meuleuse d'angle ou dans l'accu.	Défaut électrique.	▶ Arrêter immédiatement l'appareil, sortir l'accu et l'examiner, le laisser refroidir et contacter le S.A.V. Hilti .
L'appareil n'atteint pas la pleine puissance.	Accu avec capacité insuffisante mis en place.	Capacité: > 2,6 Ah ▶ Utiliser un accu d'une capacité suffisante.
Aucune fonction de freinage du moteur.	L'accu est déchargé.	▶ Remplacer l'accu et charger l'accu vide.
	Surcharge momentanée de l'appareil.	▶ Relâcher le variateur électronique de vitesse et l'actionner à nouveau.

9 Recyclage

Les appareils **Hilti** sont fabriqués pour une grande partie en matériaux recyclables. Le recyclage présuppose un tri adéquat des matériaux. **Hilti** reprend les appareils usagés dans de nombreux pays en vue de leur recyclage. Consulter le service clients **Hilti** ou un conseiller commercial.

Élimination des accus

Une élimination non conforme des accus peut produire des émanations de gaz et de liquides nocives pour la santé.

- ▶ Ne pas envoyer ni expédier d'accus endommagés !
- ▶ Recouvrir les raccordements avec un matériau non conducteur pour éviter tout court-circuit.
- ▶ Éliminer les accus en veillant à ce qu'ils soient hors de la portée des enfants.
- ▶ Éliminer l'accu en le déposant auprès du **Hilti Store** local ou s'adresser à l'entreprise de collecte des déchets compétente.



- ▶ Ne pas jeter les appareils électriques, électroniques et accus dans les ordures ménagères !

10 Garantie constructeur

- ▶ En cas de questions sur les conditions de garantie, veuillez vous adresser à votre partenaire **Hilti** local.

1 Información sobre la documentación

1.1 Acerca de esta documentación

- Lea detenidamente esta documentación antes de la puesta en servicio. Ello es imprescindible para un trabajo seguro y un manejo sin problemas.
- Respete las indicaciones de seguridad y las advertencias presentes en esta documentación y en el producto.
- Conserve este manual de instrucciones siempre junto con el producto y entregue el producto a otras personas siempre acompañado del manual.

1.2 Explicación de símbolos

1.2.1 Avisos

Las advertencias de seguridad advierten de peligros derivados del manejo del producto. Se utilizan las siguientes palabras de peligro:



PELIGRO

PELIGRO !

- ▶ Término utilizado para un peligro inminente que puede ocasionar lesiones graves o incluso la muerte.



ADVERTENCIA

ADVERTENCIA !

- ▶ Término utilizado para un posible peligro que puede ocasionar lesiones graves o incluso la muerte.



PRECAUCIÓN

PRECAUCIÓN !

- ▶ Término utilizado para una posible situación peligrosa que puede ocasionar lesiones leves o daños materiales.

1.2.2 Símbolos en la documentación

En esta documentación se utilizan los siguientes símbolos:

	Leer el manual de instrucciones antes del uso
	Indicaciones de uso y demás información de interés
	Manejo con materiales reutilizables
	No tirar las herramientas eléctricas y las baterías junto con los desperdicios domésticos

1.2.3 Símbolos en las figuras

En las figuras se utilizan los siguientes símbolos:

	Estos números hacen referencia a la figura correspondiente incluida al principio de este manual
3	La numeración describe el orden de los pasos de trabajo en la imagen y puede ser diferente de los pasos descritos en el texto
	Los números de posición se utilizan en la figura Vista general y los números de la leyenda están explicados en el apartado Vista general del producto
	Preste especial atención a este símbolo cuando utilice el producto.
	Transferencia de datos inalámbrica



1.3 Símbolos de productos

1.3.1 Símbolos en el producto

En el producto se utilizan los siguientes símbolos:

	Utilizar protección para los ojos
n	Velocidad de medición
/min	Revoluciones por minuto
RPM	Revoluciones por minuto
	Diámetro

1.4 Información del producto

Los productos han sido diseñados para usuarios profesionales y solo personal autorizado y debidamente formado puede utilizarlos y llevar a cabo su mantenimiento y conservación. Este personal debe estar especialmente instruido en lo referente a los riesgos de uso. La utilización del producto y sus dispositivos auxiliares puede conllevar riesgos para el usuario en caso de manejarse de forma inadecuada por personal no cualificado o utilizarse para usos diferentes a los que están destinados.

La denominación del modelo y el número de serie están indicados en la placa de identificación.

- ▶ Escriba el número de serie en la siguiente tabla. Necesitará los datos del producto para realizar consultas a nuestros representantes o al Departamento de Servicio Técnico.

2 Seguridad

2.1 Indicaciones generales de seguridad para herramientas eléctricas

¡ADVERTENCIA! Lea con atención todas las instrucciones e indicaciones de seguridad. Si no se tienen en cuenta las instrucciones e indicaciones de seguridad, podrían producirse descargas eléctricas, incendios o lesiones graves.

Conserve todas las instrucciones e indicaciones de seguridad para futuras consultas.

Seguridad en el puesto de trabajo

- ▶ **Mantenga su área de trabajo limpia y bien iluminada.** El desorden o una iluminación deficiente de las zonas de trabajo pueden provocar accidentes.
- ▶ **No utilice la herramienta eléctrica en un entorno con peligro de explosión en el que se encuentren combustibles líquidos, gases o material en polvo.** Las herramientas eléctricas producen chispas que pueden llegar a inflamar los materiales en polvo o vapores.
- ▶ **Mantenga alejados a los niños y otras personas de su puesto de trabajo al emplear la herramienta eléctrica.** Una distracción le puede hacer perder el control sobre la herramienta.

Seguridad eléctrica

- ▶ **Evite el contacto corporal con superficies que tengan puesta a tierra, como tubos, calefacciones, cocinas y frigoríficos.** El riesgo a quedar expuesto a una sacudida eléctrica es mayor si su cuerpo tiene contacto con tierra.
- ▶ **No exponga las herramientas eléctricas a la lluvia y evite que penetren líquidos en su interior.** El riesgo de recibir descargas eléctricas aumenta si penetra agua en la herramienta eléctrica.

Seguridad de las personas

- ▶ **Permanezca atento, preste atención durante el trabajo y utilice la herramienta eléctrica con prudencia. No utilice una herramienta eléctrica si está cansado, ni tampoco después de haber consumido alcohol, drogas o medicamentos.** Un momento de descuido al utilizar la herramienta eléctrica podría producir graves lesiones.
- ▶ **Utilice el equipo de seguridad personal adecuado y lleve siempre gafas protectoras.** El riesgo de lesiones se reduce considerablemente si, según el tipo y la aplicación de la herramienta eléctrica empleada, se utiliza un equipo de seguridad personal adecuado como una mascarilla antipolvo, calzado de seguridad con suela antideslizante, casco de protección o protección para los oídos.
- ▶ **Evite una puesta en servicio fortuita de la herramienta. Asegúrese de que la herramienta eléctrica está apagada antes de alzarla, transportarla o conectarla a la batería.** Si transporta la herramienta

eléctrica sujetándola por el interruptor de conexión/desconexión o si introduce el enchufe en la toma de corriente con la herramienta conectada, podría producirse un accidente.

- ▶ **Retire las herramientas de ajuste o llaves fijas antes de conectar la herramienta eléctrica.** Una herramienta o llave colocada en una pieza giratoria puede producir lesiones al ponerse en funcionamiento.
- ▶ **Evite adoptar posturas forzadas. Procure que la postura sea estable y manténgase siempre en equilibrio.** De esta forma podrá controlar mejor la herramienta eléctrica en caso de presentarse una situación inesperada.
- ▶ **Utilice ropa adecuada. No utilice vestimenta amplia ni joyas. Mantenga su pelo, vestimenta y guantes alejados de las piezas móviles.** La vestimenta suelta, las joyas y el pelo largo se pueden enganchar con las piezas en movimiento.
- ▶ **Siempre que sea posible utilice equipos de aspiración o captación de polvo, asegúrese de que estén conectados y de que se utilizan correctamente.** El uso de un sistema de aspiración reduce los riesgos derivados del polvo.

Uso y manejo de la herramienta eléctrica

- ▶ **No sobrecargue la herramienta. Utilice la herramienta eléctrica adecuada para el trabajo que se dispone a realizar.** Con la herramienta eléctrica apropiada podrá trabajar mejor y de modo más seguro dentro del margen de potencia indicado.
- ▶ **No utilice herramientas eléctricas con el interruptor defectuoso.** Las herramientas eléctricas que no se puedan conectar o desconectar son peligrosas y deben repararse.
- ▶ **Retire la batería antes de efectuar cualquier ajuste en la herramienta, cambiar accesorios o en caso de no utilizar la herramienta durante un tiempo prolongado.** Esta medida preventiva evita el riesgo de conexión accidental de la herramienta eléctrica.
- ▶ **Guarde las herramientas eléctricas que no utilice fuera del alcance de los niños. No permita utilizar la herramienta a ninguna persona que no esté familiarizada con ella o no haya leído este manual de instrucciones.** Las herramientas eléctricas utilizadas por personas inexpertas son peligrosas.
- ▶ **Cuide su herramienta eléctrica de forma meticulosa. Compruebe si las piezas móviles de la herramienta funcionan correctamente y sin atascarse, y si existen piezas rotas o deterioradas que pudieran afectar al funcionamiento de la herramienta eléctrica. Encargue la reparación de las piezas defectuosas antes de usar la herramienta eléctrica.** Muchos accidentes son consecuencia de un mantenimiento inadecuado de la herramienta eléctrica.
- ▶ **Mantenga los útiles limpios y afilados.** Las herramientas de corte bien cuidadas y con aristas afiladas se atascan menos y se guían con más facilidad.
- ▶ **Utilice la herramienta eléctrica, los accesorios, útiles de inserción, etc., de acuerdo con estas instrucciones. Para ello, tenga en cuenta las condiciones de trabajo y la tarea que se va a realizar.** El uso de herramientas eléctricas para trabajos diferentes de aquellos para los que han sido concebidas puede resultar peligroso.

Uso y manejo de la herramienta de batería

- ▶ **Cargue las baterías únicamente con los cargadores recomendados por el fabricante.** Existe riesgo de incendio al intentar cargar baterías de un tipo diferente al previsto para el cargador.
- ▶ **Utilice únicamente las baterías previstas para la herramienta eléctrica.** El uso de otro tipo de baterías puede provocar daños e incluso incendios.
- ▶ **Si no utiliza la batería, guárdela separada de clips, monedas, llaves, clavos, tornillos y demás objetos metálicos que pudieran puentear sus contactos.** El cortocircuito de los contactos de la batería puede causar quemaduras o incendios.
- ▶ **La utilización inadecuada de la batería puede provocar fugas de líquido. Evite el contacto con este líquido.** El líquido de la batería puede irritar la piel o producir quemaduras. En caso de contacto accidental, enjuague el área afectada con abundante agua. En caso de contacto con los ojos, acuda además inmediatamente a un médico.

Servicio Técnico

- ▶ **Solicite que un profesional lleve a cabo la reparación de su herramienta eléctrica y que utilice exclusivamente piezas de repuesto originales.** Solamente así se garantiza la seguridad de la herramienta eléctrica.

2.2 Indicaciones de seguridad generales para las aplicaciones de lijado, lijado con papel de lija, trabajos con cepillos de alambre, pulido y tronzado con muelas:

- ▶ **Esta herramienta eléctrica debe utilizarse como lijadora, cepillo de alambre y tronzadora de muela. Tenga en cuenta las indicaciones de seguridad, las representaciones y los datos que se adjuntan con la herramienta.** El incumplimiento de las siguientes indicaciones podría conllevar descargas eléctricas, incendios o lesiones graves.

- ▶ **Esta herramienta eléctrica no es apropiada para trabajos de lijado con papel de lija ni de pulido.** El uso de la herramienta eléctrica para fines no previstos puede provocar descargas eléctricas o lesiones.
- ▶ **No utilice accesorios que el fabricante no haya previsto ni recomendado especialmente para esta herramienta eléctrica.** El simple hecho de que el accesorio encaje en su herramienta eléctrica no garantiza un uso seguro.
- ▶ **La velocidad admisible del útil de inserción debe alcanzar, como mínimo, el valor máximo indicado en la herramienta eléctrica.** Los accesorios que giren a una velocidad superior a la autorizada pueden romperse o salir despedidos.
- ▶ **El diámetro exterior y el espesor del útil de inserción deben corresponderse con las indicaciones de su herramienta eléctrica.** Los útiles de inserción de dimensiones incorrectas no pueden controlarse ni protegerse de forma adecuada.
- ▶ **Los útiles con inserción roscada deben adaptarse perfectamente a la rosca del husillo de lijado.** En el caso de útiles de inserción montados mediante bridas, el diámetro del orificio del útil de inserción debe adaptarse perfectamente al diámetro del alojamiento de la brida. Los útiles de inserción que no queden perfectamente fijados a la herramienta eléctrica pueden provocar giros irregulares, fuertes vibraciones e incluso la pérdida de control.
- ▶ **No utilice útiles de inserción dañados.** Antes de utilizar el útil de inserción, compruebe si hay indicios de desgaste en los discos lijadores o de agrietamiento y desgaste en los discos abrasivos, así como si hay alambres rotos o sueltos en los cepillos de alambre. En caso de caída, compruebe si la herramienta eléctrica o el útil de inserción ha resultado dañado y utilice en tal caso un útil de inserción no dañado. Después de comprobar e insertar el útil de inserción, tanto el usuario como las personas que se encuentren a su alrededor deben mantenerse alejadas del útil de inserción en movimiento y dejar que la herramienta funcione a máxima velocidad durante un minuto. Generalmente, los útiles de inserción se dañan en el período de prueba.
- ▶ **Utilice el equipo de seguridad personal. Utilice protección completa para la cara, protección para los ojos o gafas protectoras, dependiendo de la aplicación.** Cuando la aplicación lo requiera, utilice mascarilla antipolvo, protección para los oídos, guantes de protección o un delantal especial que le sirva de pantalla frente a pequeñas partículas que puedan desprenderse en los trabajos de lijado. Utilice protección para los ojos para evitar que penetren materiales extraños que puedan desprenderse en las diferentes aplicaciones. Tanto la mascarilla antipolvo como la mascarilla ligera filtran el polvo que se produce en determinadas aplicaciones. La exposición prolongada a fuertes ruidos puede ocasionar una pérdida de audición.
- ▶ **Controle que terceras personas mantengan una distancia de seguridad respecto a su zona de trabajo. Todas las personas que se encuentren en la zona de trabajo deben llevar el equipo de seguridad personal.** Los fragmentos que pueden desprenderse de la pieza de trabajo o los útiles de inserción rotos pueden salir despedidos y provocar lesiones incluso fuera de la zona de trabajo.
- ▶ **Sujete la herramienta eléctrica por las empuñaduras aisladas cuando realice trabajos en los que el útil de inserción puede entrar en contacto con cables eléctricos ocultos.** El contacto con los cables conductores puede traspasar la conductividad a las partes metálicas y producir descargas eléctricas.
- ▶ **Mantenga el cable de red alejado de los útiles en movimiento.** Si pierde el control sobre la herramienta, el cable de red puede desconectarse o engancharse y el útil de inserción en movimiento podría ocasionarle lesiones en las manos o brazos.
- ▶ **No deposite nunca la herramienta eléctrica hasta que el útil de inserción no se haya detenido por completo.** El útil de inserción en movimiento puede entrar en contacto con la superficie de trabajo haciéndole perder el control sobre la herramienta eléctrica.
- ▶ **No transporte la herramienta eléctrica en funcionamiento.** Su ropa puede entrar accidentalmente en contacto con el útil de inserción en movimiento quedando enganchada y el útil de inserción puede ocasionarle lesiones.
- ▶ **Limpie las rejillas de ventilación de su herramienta eléctrica con regularidad.** El ventilador del motor conduce el polvo aspirado al interior de la carcasa, de modo que una concentración elevada de polvo de metal puede dar lugar a averías eléctricas.
- ▶ **No utilice la herramienta eléctrica cerca de materiales inflamables.** Las chispas podrían inflamar dichos materiales.
- ▶ **No utilice útiles de inserción que requieran refrigerante líquido.** El uso de agua u otros refrigerantes líquidos puede producir descargas eléctricas.

Descripción del rebote e indicaciones de seguridad correspondientes

El rebote es la reacción repentina causada por un útil de inserción atascado o bloqueado en movimiento, del tipo, por ejemplo, de discos lijadores, discos abrasivos, cepillos de alambre, etc. El atascamiento o el bloqueo origina una parada brusca del útil de inserción en movimiento. Por ello, una herramienta eléctrica incontrolada se acelera en la dirección de giro opuesta del útil de inserción respecto a la posición de bloqueo.

Si, por ejemplo, un disco lijador se atasca o bloquea en una pieza de trabajo, el borde del disco lijador que penetra en la pieza de trabajo puede engancharse y, como consecuencia, romperse o dar lugar a un rebote. El disco lijador avanza hacia el usuario o se aleja de él, según la dirección de giro del disco respecto a la posición de bloqueo. En este caso, los discos lijadores también pueden romperse.

El rebote se debe a un uso incorrecto de la herramienta eléctrica. Puede evitarse cumpliendo las medidas de seguridad pertinentes que se describen a continuación.

- ▶ **Sujete bien la herramienta eléctrica y mantenga su cuerpo y brazos en una posición que le permita hacer frente a las fuerzas de rebote. Utilice siempre la empuñadura adicional, en caso de existir, para tener el máximo control sobre las fuerzas de rebote o los momentos de retroceso a plena marcha.** Tomar las medidas de precaución adecuadas contribuye a tener un control absoluto sobre las fuerzas de rebote y retroceso.
- ▶ **No coloque nunca la mano cerca de los útiles de inserción en movimiento.** El útil de inserción puede efectuar movimientos bruscos a causa del rebote y alcanzarle la mano.
- ▶ **Mantenga una distancia de seguridad respecto a la zona de movimiento del rebote de la herramienta eléctrica.** El rebote empuja la herramienta eléctrica en dirección opuesta al movimiento del disco lijador respecto a la posición de bloqueo.
- ▶ **Tenga especial cuidado cerca de las esquinas y cantos afilados y evite que los útiles de inserción reboten o se enganchen con la pieza de trabajo.** El útil de inserción en movimiento tiende a engancharse con las esquinas o cantos afilados en caso de rebote. Ello puede comportar la pérdida de control o el rebote de la herramienta.
- ▶ **No utilice hojas de sierra de cadena o dentadas.** Estos útiles de inserción a menudo ocasionan el rebote o la pérdida de control de la herramienta eléctrica.

Indicaciones de seguridad especiales para los trabajos de lijado y tronzado con muela:

- ▶ **Utilice únicamente cuerpos de lijado apropiados para su herramienta eléctrica y la cubierta protectora indicada para cada uno de ellos.** Los cuerpos de lijado cuyo uso no está previsto para una herramienta eléctrica determinada no pueden protegerse de forma apropiada y, como consecuencia, su aplicación no es segura.
- ▶ **Los discos lijadores acodados deben colocarse de forma que la superficie de lijado no sobresalga sobre la superficie del borde de la cubierta de protección.** Un disco lijador montado de forma inadecuada, que sobresalga del borde de la cubierta protectora, no está convenientemente resguardado.
- ▶ **La cubierta protectora debe colocarse de forma segura en la herramienta eléctrica y ajustarse, con la finalidad de conseguir el máximo de seguridad, de modo que solo apunte directamente hacia el usuario la parte más pequeña posible del cuerpo de lijado.** La cubierta protectora sirve para proteger al usuario frente a fragmentos, contacto accidental con el cuerpo de lijado o chispas, que podrían prender fuego a la ropa.
- ▶ **Los cuerpos de lijado solamente pueden utilizarse para las aplicaciones de uso recomendadas: por ejemplo, no lije nunca con la superficie lateral de un disco tronzador.** Los discos tronzadores están diseñados para arrancar material con el borde. La acción de la fuerza lateral puede romper los cuerpos de lijado.
- ▶ **Utilice siempre bridas de apriete no dañadas y con tamaño y forma adecuados para los discos lijadores elegidos.** Las bridas apropiadas sirven de soporte para los discos lijadores y reducen el riesgo de rotura de los mismos. Las bridas para discos tronzadores pueden diferenciarse de las bridas para otros discos lijadores.
- ▶ **No utilice discos lijadores desgastados de herramientas eléctricas de mayores dimensiones.** Los discos lijadores para herramientas eléctricas más grandes no son apropiados para las elevadas velocidades desarrolladas por las herramientas eléctricas de menor tamaño, puesto que podrían romperse.

Otras indicaciones de seguridad especiales para el tronzado con muela:

- ▶ **Evite el bloqueo del disco tronzador y una presión de apriete demasiado alta. No realice cortes excesivamente profundos.** La sobrecarga de los discos tronzadores aumenta el desgaste y la tendencia al atascamiento o bloqueo y, con ello, la posibilidad de rebote o rotura del disco lijador.
- ▶ **Evite traspasar la zona trasera y delantera del disco tronzador.** Si aparta mucho de su cuerpo el disco tronzador insertado en la pieza de trabajo, en caso de rebote la herramienta eléctrica con el disco en movimiento puede salir disparada directamente hacia usted.
- ▶ **Si el disco tronzador se atasca o el trabajo se interrumpe, desconecte la herramienta y espere a que el disco deje de girar. Nunca extraiga el disco tronzador de la herramienta antes de que se haya detenido por completo; en caso contrario, podría producirse un rebote.** Detecte la causa del atascamiento y subsane el problema.
- ▶ **No vuelva a conectar la herramienta eléctrica hasta que ésta no se encuentre en la pieza de trabajo. Deje que el disco tronzador alcance su máxima velocidad antes de continuar con el**



corte y proceda con el máximo cuidado. En caso contrario, el disco puede engancharse, soltarse bruscamente de la pieza de trabajo o rebotar.

- ▶ **Sujete las placas o las piezas de trabajo grandes para evitar el efecto rebote inducido por discos tronadores atascados.** Las piezas de trabajo grandes pueden doblarse por su propio peso. La pieza de trabajo debe hallarse sostenida por ambos lados del disco, tanto cerca del corte de separación como en la esquina.
- ▶ **Preste especial atención al realizar un «corte por inmersión» en paredes o en áreas ocultas.** Los discos tronadores pueden provocar un rebote al cortar conductos de gas o agua, cables eléctricos u otros objetos.

Indicaciones de seguridad especiales para los trabajos con cepillos de alambre:

- ▶ **Tenga en cuenta que los cepillos de alambre también pierden fragmentos de alambre durante su uso habitual. No sobrecargue los alambres con una presión de apriete demasiado alta.** Los fragmentos de alambre que se desprenden pueden atravesar la ropa delgada o penetrar fácilmente en la piel.
- ▶ **Si se recomienda una cubierta protectora, evite que dicha cubierta entre en contacto con los cepillos de alambre.** El diámetro de los cepillos de vaso y de plato puede incrementarse a causa de la presión de apriete y las fuerzas centrífugas.

2.3 Indicaciones de seguridad adicionales

Seguridad de las personas

- ▶ Utilice el producto solo si está en perfecto estado técnico.
- ▶ No efectúe nunca manipulaciones o modificaciones en la herramienta.
- ▶ Evite tocar las piezas en movimiento, ya que existe riesgo de lesiones.
- ▶ Para cambiar el útil, utilice también guantes de protección. El contacto con el útil de inserción puede producir cortes y quemaduras.
- ▶ Antes de iniciar el trabajo, consulte la clase de peligros derivados del polvo resultante del trabajo. Utilice un aspirador de obra con una clasificación de protección homologada conforme a las normas locales sobre la protección contra el polvo. El polvo procedente de materiales como pinturas con plomo, determinadas maderas, hormigón/mampostería/rocas con cuarzo, así como minerales y metal puede ser nocivo para la salud.
- ▶ Procure una buena ventilación en el lugar de trabajo y utilice en caso necesario una mascarilla adecuada para cada clase de polvo. El contacto con el polvo o su inhalación puede provocar reacciones alérgicas o asfixia al usuario o a personas que se encuentren en su entorno. Existen determinados tipos de polvo, como puede ser el de roble o el de haya, catalogados como cancerígenos, especialmente si se encuentra mezclado con aditivos usados en el tratamiento de la madera (cromato, agente protector para la madera). Únicamente expertos cualificados están autorizados a manipular materiales que contengan asbesto.
- ▶ Efectúe pausas durante el trabajo, así como ejercicios para mejorar la circulación de los dedos. Tras muchas horas de trabajo con exposición a las vibraciones, pueden surgir complicaciones en los vasos sanguíneos o en el sistema nervioso en dedos, manos o articulaciones de las manos.

Seguridad eléctrica

- ▶ Antes de empezar a trabajar, compruebe si la zona de trabajo oculta cables eléctricos, tuberías de gas o cañerías de agua. Las partes metálicas exteriores de la herramienta pueden provocar una descarga eléctrica si se daña por error un cable eléctrico.

Manipulación y utilización segura de las herramientas eléctricas

- ▶ No utilice discos tronadores para realizar trabajos de desbastado.
- ▶ Apriete el útil y la brida. Si el útil y la brida no se han apretado convenientemente, existe la posibilidad de que cuando se desconecte la herramienta, al frenar el motor, el útil se suelte del husillo.
- ▶ Consulte las indicaciones del fabricante sobre el manejo y conservación de los discos lijadores.

2.4 Manipulación y utilización segura de las baterías

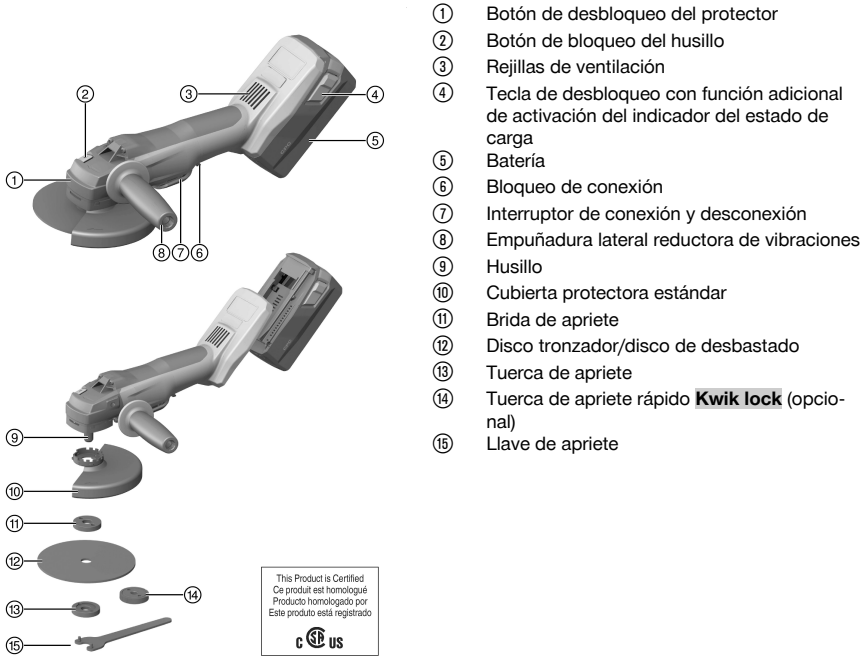
- ▶ Tenga en cuenta las directivas especiales en materia de transporte, almacenamiento y manejo de las baterías de Ion-Litio.
- ▶ Mantenga las baterías alejadas de altas temperaturas, radiación solar directa y fuego.
- ▶ Las baterías no se deben destruir, comprimir, calentar por encima de 80 °C o quemar.
- ▶ No utilice ni cargue baterías que hayan recibido algún golpe, que hayan caído desde una altura superior a un metro o que estén dañadas de alguna otra forma. En este caso, póngase siempre en contacto con el **Hilti Servicio Técnico**.



- Si al tocar la batería detecta que está muy caliente, puede deberse a una avería en la misma. Coloque el producto en un lugar visible, no inflamable y alejado de materiales inflamables, y deje que se enfríe. En este caso, póngase siempre en contacto con el **Hilti Servicio Técnico**.

3 Descripción

3.1 Vista general del producto



- ① Botón de desbloqueo del protector
- ② Botón de bloqueo del husillo
- ③ Rejillas de ventilación
- ④ Tecla de desbloqueo con función adicional de activación del indicador del estado de carga
- ⑤ Batería
- ⑥ Bloqueo de conexión
- ⑦ Interruptor de conexión y desconexión
- ⑧ Empuñadura lateral reductora de vibraciones
- ⑨ Husillo
- ⑩ Cubierta protectora estándar
- ⑪ Brida de apriete
- ⑫ Disco tronzador/disco de desbastado
- ⑬ Tuerca de apriete
- ⑭ Tuerca de apriete rápido **Kwik lock** (opcional)
- ⑮ Llave de apriete

This Product is Certified
Ce produit est homologué
Producto homologado por
Este producto está registrado

3.2 Uso conforme a las prescripciones

El producto descrito es una amoladora angular de guiado manual con alimentación por batería. Está destinada al tronzado y desbastado de materiales metálicos y minerales, así como para el cepillado sin el empleo de agua. Solo puede utilizarse para el lijado o corte en seco.

- El tronzado, ranurado y desbastado de materiales minerales solo está permitido si se utiliza la correspondiente cubierta protectora (disponible opcionalmente).
- En general, para trabajos en superficies minerales, como el hormigón o la piedra, se recomienda utilizar un protector de aspiración de polvo adaptado a un aspirador de polvo **Hilti** adecuado. Esta cubierta sirve como protección para el usuario y aumenta la vida útil de la herramienta y del útil.
- Para este producto utilice únicamente las baterías de Ion-Litio de **Hilti** de la serie B 36.
- Para estas baterías utilice exclusivamente los cargadores de **Hilti** de la serie C4/36.

3.3 Suministro

Amoladora angular, empuñadura lateral, cubierta protectora estándar, tapa delantera, brida de apriete, tuerca de apriete, llave de apriete, manual de instrucciones.

3.4 Protección de la herramienta en función de la temperatura

La protección del motor que depende de la temperatura controla el consumo de corriente y el calentamiento del motor, y protege así la herramienta de un sobrecalentamiento.

En caso de sobrecarga del motor a causa de una presión de apriete elevada, la potencia de la herramienta disminuye notablemente o puede provocar la parada de la herramienta.

En caso de que se produzca una parada o una reducción de la velocidad debido a una sobrecarga, deberá dejar libre de carga la herramienta y mantenerla durante aprox. 30 s en velocidad de giro en vacío.

3.5 Cubierta protectora con tapa delantera

Para desbastar con discos de desbastado rectos y para tronzar materiales metálicos con discos tronzadores, utilice siempre la cubierta protectora estándar con tapa delantera.

3.6 Protector antipolvo para trabajos de tronzado DC-EX 125/5" C cubierta compacta (accesorio)

Para el tronzado de superficies minerales con disco tronizador de diamante debe utilizarse la cubierta compacta DC-EX 125/5" C.

PRECAUCIÓN Está prohibido realizar trabajos en metal con esta cubierta.

3.7 Protector antipolvo (lijado) DG-EX 125/5" (accesorios)

El sistema de lijado solo es apto para el lijado ocasional de superficies minerales con muelas de vaso de diamante.

PRECAUCIÓN Está prohibido realizar trabajos en metal con esta cubierta.

3.8 Material de consumo

Deben utilizarse solamente discos de aglomerado con resina sintética reforzados con fibras para máx. Ø 6", aptos para una velocidad mínima de 8500 rpm y una velocidad periférica de 80 m/s.

El grosor de los discos debe ser de máx. 1/4" para el disco de desbastado y de máx. 1/8" para el disco tronizador.

¡ATENCIÓN! Para trabajos de tronzado y entallado con discos tronzadores, utilice siempre la cubierta protectora estándar con tapa delantera adicional o un protector antipolvo completamente cerrado.

Discos

	Aplicación	Abreviatura	Superficie de trabajo
Disco tronizador abrasivo	Tronzado, entallado	AC-D	Metálico
Disco tronizador de diamante	Tronzado, entallado	DC-TP, DC-D (SPX, SP, P)	Mineral
Disco de desbastado abrasivo	Desbastado	AG-D, AF-D, AN-D, AG-D modelo 27	Metálico
Disco de desbastado de diamante	Desbastado	DG-CW (SPX, SP, P)	Mineral
Cepillo de alambre	Cepillos de alambre	3CS, 4CS, 3SS, 4SS	Metálico

Asignación de los discos al equipo que se utilice

Pos.	Equipo	AC-D	AG-D	AF-D	AN-D	DG-CW (SPX, SP, P)	DC-TP, DC-D (SPX, SP, P)	3CS, 4CS, 3SS, 4SS	AG-D modelo 27
A	Caperuza protectora	X	X	X	X	X	X	X	—
B	Tapa delantera (en combinación con A)	X	—	—	—	—	X	—	—
C	Protector antipolvo (lijado) DG-EX 125/5"	—	—	—	—	X	-	—	—
D	Protector antipolvo (tronzado) DC-EX 125/5"C (en combinación con A)	—	—	—	—	-	X	—	—

Pos.	Equipo	AC-D	AG-D	AF-D	AN-D	DG-CW (SPX, SP, P)	DC-TP, DC-D (SPX, SP, P)	3CS, 4CS, 3SS, 4SS	AG-D modelo 27
E	Empuñadura lateral	X	X	X	X	X	X	X	X
F	Empuñadura de puente DCBG 125 (opcional para E)	X	X	X	X	X	X	X	X
G	Tuerca de apriete	X	X	X	X	X	X	—	—
H	Brida de apriete	X	X	X	X	X	X	—	—
I	Kwik lock (opcional para G)	X	X	X	X	-	X	—	—
J	Caperuza protectora, modelo 27	—	—	—	—	—	—	—	X

3.9 Indicador del estado de carga de la batería de Ion-Litio

El estado de carga de la batería de Ion-Litio se visualiza pulsando una de las dos teclas de desbloqueo de la batería.

Estado	Significado
4 LED encendidos.	• Estado de carga: 75 % a 100 %
3 LED encendidos.	• Estado de carga: 50 % a 75 %
2 LED encendidos.	• Estado de carga: 25 % a 50 %
1 LED encendido.	• Estado de carga: 10 % a 25 %
1 LED parpadea.	• Estado de carga: < 10 %

El estado de carga no puede consultarse mientras la herramienta esté en uso ni inmediatamente después de usarla. Si los LED indicadores del estado de carga de la batería parpadean, observe las indicaciones del capítulo «Ayuda en caso de averías».

4 Datos técnicos

4.1 Amoladora angular

	AG 600-A36
Tensión nominal	36 V
Velocidad de medición	8.500 rpm
Diámetro máximo del disco	6 in
Diámetro máximo del disco	150 mm
Peso	7,7 lb (3,5 kg)
Rosca del husillo de accionamiento	5/8"-11

5 Puesta en servicio

5.1 Colocación de la batería

PRECAUCIÓN

Riesgo de lesiones por arranque accidental de la amoladora angular.

- ▶ Antes de insertar la batería, asegúrese de que la amoladora angular está desconectada y el bloqueo de conexión, conectado.



PRECAUCIÓN

Peligro eléctrico. La suciedad en los contactos puede provocar un cortocircuito.

- ▶ Antes de insertar la batería, asegúrese de que no haya cuerpos extraños en los contactos de la batería ni de la amoladora angular.

PRECAUCIÓN

Riesgo de lesiones. Si la batería no está correctamente insertada, podría desprenderse.

- ▶ Compruebe que la batería esté bien insertada en la herramienta para evitar que se desprenda y provoque lesiones a usted o a terceros.
- ▶ Introduzca la batería y compruebe que esté bien colocada en la herramienta.

5.2 Extracción de la batería

- ▶ Extraiga la batería.

5.3 Montaje de la empuñadura lateral

- ▶ Atornille la empuñadura lateral en uno de los casquillos roscados previstos.

5.4 Montaje y desmontaje de la cubierta protectora

PRECAUCIÓN

Riesgo de lesiones. El útil puede estar caliente o afilado.

- ▶ Utilice siempre guantes de protección a la hora de realizar el montaje, el desmontaje, los trabajos de ajuste y al reparar averías.
- ▶ Lea las instrucciones de montaje de la respectiva cubierta protectora.

5.4.1 Montaje de la cubierta protectora

La cubierta protectora dispone de unos salientes que aseguran que solo se pueda montar una cubierta adecuada para la herramienta. La cubierta protectora entra con los salientes en el alojamiento de la herramienta.

1. Monte la cubierta protectora de forma que los dos triángulos, el de la cubierta y el de la herramienta, queden uno frente al otro.
2. Presione la cubierta protectora en el cuello del husillo.
3. Presione el botón de desbloqueo de la cubierta.
4. Gire la cubierta protectora hasta que quede enclavada y el botón de desbloqueo de la protección salte hacia atrás.

5.4.2 Ajuste de la cubierta protectora

- ▶ Presione el botón de desbloqueo de la cubierta protectora y gírela en dirección a la posición deseada hasta que encaje.

5.4.3 Desmontaje de la cubierta protectora

1. Presione el botón de desbloqueo de la cubierta y gire la cubierta protectora hasta que los dos triángulos, el de la cubierta protectora y el de la herramienta, queden uno frente al otro.
2. Retire la cubierta protectora.

5.5 Montaje y desmontaje de la tapa delantera

Cuando se trabaje con la tapa delantera, esta debe colocarse sobre la cubierta protectora.

1. Coloque la tapa delantera con el lateral cerrado sobre la cubierta protectora estándar hasta que el cierre se enclave.
2. Para desmontar la tapa delantera, abra el cierre de la misma y retírela de la cubierta protectora estándar.

5.6 Colocación de la cubierta compacta DC-EX 125/5" C

- ▶ Coloque la cubierta compacta de forma que el interruptor de conexión y desconexión esté accesible y operativo en todo momento.

5.7 Montaje y desmontaje del útil

ADVERTENCIA

Riesgo de lesiones. Al frenar el motor de la herramienta, podría soltarse el útil.

- ▶ Espere hasta que el útil esté completamente parado antes de tocar el útil o la tuerca de apriete.
- ▶ Apriete el útil y la brida de apriete con la tuerca de apriete de forma que, al frenar el motor de la herramienta, no se suelte ninguna pieza del husillo.

PRECAUCIÓN


Riesgo de lesiones. El útil puede estar caliente.

- ▶ Utilice guantes de protección para cambiar el útil.

PRECAUCIÓN

Peligro de que se suelte de forma incontrolada el útil de inserción con rosca integrada. Un montaje inadecuado del útil de inserción puede producir lesiones graves.

- ▶ Coloque siempre el útil de inserción con rosca integrada con la mano.

 Los discos de diamante deben sustituirse cuando su capacidad de corte y de lijado disminuya notablemente. En general esto sucede cuando la altura del segmento de diamante es inferior a 1/16". El resto de clases de discos deben sustituirse cuando la capacidad de corte disminuya notablemente o cuando alguna parte de la amoladora angular (excepto el disco) entre en contacto con el material de trabajo durante su uso.

Los discos abrasivos deben sustituirse cuando así lo indique su fecha de caducidad.

5.7.1 Montaje del útil

1. Extraiga la batería. → página 39
2. Limpie la brida de apriete y la tuerca de apriete.
3. Coloque la brida de apriete sobre el husillo.
4. Coloque el útil de inserción.
5. Apriete la tuerca de apriete en función del útil empleado.
6. Pulse y mantenga pulsado el botón de bloqueo del husillo.
7. Atornille la tuerca de apriete con la llave de apriete y, a continuación, suelte el botón de bloqueo del husillo y retire la llave de apriete.

5.7.2 Desmontaje del útil

1. Extraiga la batería. → página 39

PRECAUCIÓN

Riesgo de rotura y de destrucción. Si se presiona el botón de bloqueo del husillo mientras este está girando, podría soltarse el útil.

- ▶ Presione el botón de bloqueo del husillo solo cuando el husillo esté parado.
2. Pulse y mantenga pulsado el botón de bloqueo del husillo.
 3. Suelte la tuerca de apriete colocando la llave de mandril y girándola en sentido antihorario.
 4. Suelte el botón de bloqueo del husillo y retire el útil.

5.7.3 Montaje del útil con tuerca de apriete rápido **Kwik lock**

PRECAUCIÓN

Riesgo de rotura. Un desgaste excesivo puede provocar la rotura de la tuerca de apriete rápido **Kwik lock**.

- ▶ Asegúrese de que al trabajar, la tuerca de apriete rápido **Kwik lock** no entre en contacto con la superficie.
- ▶ No utilice tuercas de apriete rápido **Kwik lock** que presenten daños.





En lugar de la tuerca de apriete se puede utilizar opcionalmente la tuerca de apriete rápido **Kwik lock**. De esta forma se pueden cambiar los útiles sin utilizar ningún tipo de herramienta.

1. Extraiga la batería. → página 39
2. Limpie la brida de apriete y la tuerca de apriete rápido.
3. Coloque la brida de apriete sobre el husillo.
4. Coloque el útil de inserción.
5. Enrosque la tuerca de apriete rápido **Kwik lock** hasta que quede asentada en el útil.
 ◀ La inscripción **Kwik lock** es visible cuando está atornillada.
6. Pulse y mantenga pulsado el botón de bloqueo del husillo.
7. Siga girando manualmente con fuerza el útil de inserción en sentido horario hasta que la tuerca de apriete rápido **Kwik lock** esté bien apretada; suelte finalmente el botón de bloqueo del husillo.

5.7.4 Desmontaje del útil con tuerca de apriete rápido **Kwik lock**

1. Extraiga la batería. → página 39

PRECAUCIÓN

Riesgo de rotura y de destrucción. Si se presiona el botón de bloqueo del husillo mientras este está girando, podría soltarse el útil.

- ▶ Presione el botón de bloqueo del husillo solo cuando el husillo esté parado.
2. Pulse y mantenga pulsado el botón de bloqueo del husillo.
 3. Suelte la tuerca de apriete rápido **Kwik lock** girando a mano la tuerca de apriete rápido en sentido antihorario.
 4. Si la tuerca de apriete rápido **Kwik lock** no se puede soltar a mano, coloque una llave de apriete en la tuerca de apriete rápido y gírela en sentido antihorario.



Nunca utilice tenazas para tubos, así evitará que se dañe la tuerca de apriete rápido **Kwik lock**.

5. Suelte el botón de bloqueo del husillo y retire el útil.

5.7.5 Montaje del útil con rosca integrada

1. Extraiga la batería. → página 39
2. Enrosque el útil en el husillo.
3. Pulse y mantenga pulsado el botón de bloqueo del husillo.
4. Apriete el útil con una llave de boca y a continuación suelte el botón de bloqueo del husillo.

5.7.6 Desmontaje del útil

1. Extraiga la batería. → página 39

PRECAUCIÓN

Riesgo de rotura y de destrucción. Si se presiona el botón de bloqueo del husillo mientras este está girando, podría soltarse el útil.

- ▶ Presione el botón de bloqueo del husillo solo cuando el husillo esté parado.
2. Pulse y mantenga pulsado el botón de bloqueo del husillo.
 3. Afloje el útil con una llave de boca.
 4. Suelte el botón de bloqueo del husillo y retire el útil.

6 Manejo

6.1 Lijado

PRECAUCIÓN

Riesgo de lesiones. El útil puede quedar repentinamente bloqueado o enganchado.

- ▶ Utilice la herramienta siempre con la empuñadura lateral (opcionalmente con empuñadura de puente) y sujete la herramienta con ambas manos.

6.2 Tronzado

- ▶ Durante el tronzado, trabaje a un ritmo de avance moderado y no ladee la herramienta ni el disco tronzador (la posición de trabajo es a aprox. 90° respecto a la superficie de tronzado).



La mejor forma de tronzar perfiles y tubos cuadrados es aplicando el disco tronzador en la sección más pequeña.

6.3 Desbastado



PRECAUCIÓN

Riesgo de lesiones. El disco tronzador puede estallar y los fragmentos despedidos podrían causar lesiones.

- ▶ Nunca utilice discos tronzadores para realizar trabajos de desbastado.
- ▶ Mueva la herramienta de un lado a otro en un ángulo de incidencia de entre 5° y 30° aplicando una presión moderada.
 - ◀ La pieza de trabajo no alcanza una temperatura demasiado elevada, no cambia de color ni se generan estrías.

6.4 Conexión con el interruptor de conexión y desconexión con bloqueo de conexión



Con el interruptor de conexión y desconexión con bloqueo de conexión puede controlar el funcionamiento del interruptor y evitar así un arranque accidental de la herramienta.

1. Desplace el bloqueo de conexión hacia delante.
 - ◀ El interruptor de conexión y desconexión se desbloquea.
2. Pulse completamente el interruptor de conexión y desconexión.
 - ◀ El motor de la herramienta funciona con velocidad de giro en vacío.

6.5 Desconexión con el interruptor de conexión y desconexión con bloqueo de conexión

- ▶ Suelte el interruptor de conexión y desconexión.
 - ◀ El bloqueo de conexión salta automáticamente a la posición de bloqueo.

7 Cuidado, mantenimiento, transporte y almacenamiento

7.1 Mantenimiento de la herramienta



PELIGRO

Descarga eléctrica debido a la falta de aislamiento de protección. En condiciones de uso extremas al tratar metales puede depositarse polvo conductor (p. ej. metal, fibras de carbono) en el interior de la herramienta y afectar el aislamiento de protección.

- ▶ En condiciones de uso extremas, utilice un dispositivo de aspiración estacionario.
- ▶ Limpie las rejillas de ventilación con regularidad.



ADVERTENCIA

Peligro por corriente eléctrica. Las reparaciones indebidas en componentes eléctricos pueden producir lesiones graves.

- ▶ Encargue la reparación de los componentes eléctricos únicamente a personal técnico cualificado.



PRECAUCIÓN

Puesta en servicio accidental. Si no se extrae la batería de la herramienta, esta podría ponerse en marcha de forma imprevista cuando se realicen las tareas de limpieza y provocar lesiones.

- ▶ Extraiga la batería antes de empezar con las tareas de limpieza.
- ▶ Mantenga la herramienta seca, limpia y libre de aceite y grasa, en especial las superficies de la empuñadura. No utilice ningún producto de limpieza que contenga silicona.



- ▶ No utilice nunca la amoladora angular si tiene obstruidas las rejillas de ventilación. Limpie cuidadosamente las rejillas de ventilación con un cepillo seco. Evite que se introduzcan cuerpos extraños en el interior de la herramienta.
- ▶ Limpie regularmente el exterior de la herramienta con un paño ligeramente humedecido. Para limpiarla, no utilice pulverizadores, aparatos de chorro de vapor ni agua corriente, puesto que podría verse afectada la seguridad eléctrica de la herramienta.

i El mecanizado continuo de materiales conductores (p. ej. metal, fibra de carbono) puede reducir los intervalos de mantenimiento. Tenga en cuenta el análisis de riesgos individual de su lugar de trabajo.

i Para garantizar un correcto funcionamiento, utilice exclusivamente piezas de repuesto y material de consumo originales. Puede encontrar las piezas de repuesto, el material de consumo y los accesorios que comercializamos en su Centro **Hilti** o en www.hilti.com

7.2 Cuidado de la batería de Ion-Litio

- ▶ Mantenga la batería limpia y sin residuos de aceite o grasa.
- ▶ Limpie regularmente el exterior con un paño ligeramente humedecido. No utilice ningún producto de limpieza que contenga silicona.
- ▶ Para alcanzar la máxima vida útil de las baterías, cárguelas en cuanto empiece a disminuir claramente el rendimiento de la herramienta.
- ▶ Cargue las baterías con cargadores **Hilti** autorizados para baterías de Ion-Litio.

7.3 Comprobación después de las tareas de cuidado y mantenimiento

- ▶ Una vez realizadas las tareas de cuidado y mantenimiento, compruebe si están colocados todos los dispositivos de protección y si estos funcionan correctamente.

7.4 Transporte y almacenamiento

ADVERTENCIA

Riesgo de incendio. Peligro por cortocircuito.

- ▶ No almacene ni transporte nunca las baterías de Ion-Litio sin el envase que las protege.
- ▶ Desplace la batería de la posición de bloqueo a la primera posición de encastre.
- ▶ Al enviar baterías por carretera, ferrocarril, mar o aire tenga en cuenta las normativas de transporte vigentes, tanto nacionales como internacionales.

i La batería debe guardarse en un estado de carga completa, a ser posible en un lugar fresco y seco. No se recomienda guardar la batería a una temperatura ambiente alta (detrás de un cristal), ya que reduce su vida útil y propicia la descarga automática de las celdas.
Si la batería se carga de forma incompleta, esto es debido a una reducción de la capacidad originada por el paso del tiempo o el uso excesivo. La herramienta puede seguir funcionando con esta batería. No obstante, debe reemplazarse por una nueva cada cierto tiempo.

8 Ayuda en caso de averías

Si se producen averías que no estén incluidas en esta tabla o que no pueda solucionar usted, diríjase a nuestro Servicio Técnico **Hilti**.

Anomalía	Posible causa	Solución
La batería se descarga con más rapidez de lo usual.	Temperatura ambiente demasiado baja.	▶ Deje que la batería alcance poco a poco la temperatura ambiente.
La batería no se enclava con un «clic» audible.	Suciedad en las lengüetas de la batería.	▶ Limpie las lengüetas y vuelva a colocar la batería.
1 LED parpadea. La herramienta no funciona.	La batería está descargada.	▶ Cambie la batería y recargue la batería vacía.

Anomalia	Posible causa	Solución
1 LED parpadea. La herramienta no funciona.	La batería está demasiado fría o demasiado caliente.	▶ Deje que la batería se caliente o se enfríe poco a poco hasta alcanzar la temperatura ambiente.
Los 4 LED parpadean. La herramienta no funciona.	La herramienta está sobrecargada.	▶ Suelte el conmutador de control y vuélvalo a accionar. A continuación, mantenga la herramienta durante aprox. 30 s en marcha en vacío.
Calentamiento considerable de la amoladora angular o la batería.	Error en el sistema eléctrico.	▶ Desconecte la herramienta de inmediato, extraiga la batería, compruébela, deje que se enfríe y póngase en contacto con el Servicio Técnico de Hilti .
La herramienta no desarrolla toda la potencia.	Se ha empleado una batería con muy poca capacidad.	Capacidad: > 2,6 Ah ▶ Utilice una batería con suficiente capacidad.
Sin función de frenado del motor.	La batería está descargada.	▶ Cambie la batería y recargue la batería vacía.
	La herramienta se ha sobrecargado brevemente.	▶ Suelte el conmutador de control y vuélvalo a accionar.

9 Reciclaje

Las herramientas **Hilti** están fabricadas en su mayor parte con materiales reutilizables. La condición para dicha reutilización es una separación adecuada de los materiales. En muchos países, **Hilti** recoge las herramientas usadas para su recuperación. Pregunte en el Servicio de Atención al Cliente de **Hilti** o a su asesor de ventas.

Eliminación de las baterías

Los gases y líquidos originados por una eliminación indebida de las baterías pueden ser perjudiciales para la salud.

- ▶ No envíe baterías dañadas bajo ningún concepto.
- ▶ Cubra las conexiones con un material no conductor para evitar cortocircuitos.
- ▶ Deshágase de las baterías de tal forma que no terminen en manos de niños.
- ▶ Elimine la batería en su **Hilti Store** o diríjase a su empresa de desechos.



- ▶ No deseche las herramientas eléctricas, los aparatos eléctricos ni las baterías junto con los residuos domésticos.

10 Garantía del fabricante

- ▶ Si tiene alguna consulta acerca de las condiciones de la garantía, póngase en contacto con su sucursal local de **Hilti**.



1 Indicações sobre a documentação

1.1 Sobre esta documentação

- Antes da colocação em funcionamento, leia esta documentação. Esta é a condição para um trabalho seguro e um manuseamento sem problemas.
- Tenha em atenção as instruções de segurança e as advertências nesta documentação e no produto.
- Guarde o manual de instruções sempre junto do produto e entregue-o a outras pessoas apenas juntamente com este manual.

1.2 Explicação dos símbolos

1.2.1 Advertências

As advertências alertam para perigos durante a utilização do produto. São utilizadas as seguintes palavras de aviso:

PERIGO

PERIGO !

- ▶ Indica perigo iminente que pode originar acidentes pessoais graves ou até mesmo fatais.

AVISO

AVISO !

- ▶ Indica um possível perigo que pode causar graves ferimentos pessoais, até mesmo fatais.





CUIDADO

CUIDADO !

- ▶ Indica uma situação potencialmente perigosa que pode originar ferimentos ligeiros ou danos materiais.


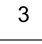



1.2.2 Símbolos na documentação

Nesta documentação são utilizados os seguintes símbolos:

	Leia o manual de instruções antes da utilização
	Instruções de utilização e outras informações úteis
	Manuseamento com materiais recicláveis
	Não deitar as ferramentas eléctricas e baterias no lixo doméstico

1.2.3 Símbolos nas figuras


Em figuras são utilizados os seguintes símbolos:

	Estes números referem-se à respectiva imagem no início deste Manual
	A numeração reproduz uma sequência dos passos de trabalho na imagem e pode divergir dos passos de trabalho no texto
	Na figura Vista geral são utilizados números de posição que fazem referência aos números da legenda na secção Vista geral do produto
	Este símbolo pretende despertar a sua atenção durante o manuseamento do produto.
	Transferência de dados sem fios

1.3 Símbolos dependentes do produto

1.3.1 Símbolos no produto

No produto são utilizados os seguintes símbolos:

	Use óculos de protecção
n	Velocidade nominal
/min	Rotações por minuto
RPM	Rotações por minuto
\varnothing	Diâmetro

1.4 Dados informativos sobre o produto

Os produtos **HILTI** destinam-se ao utilizador profissional e só podem ser operados, mantidos e reparados por pessoal autorizado, devidamente qualificado. Estas pessoas deverão estar informadas em particular sobre os potenciais perigos. O produto e seu equipamento auxiliar podem representar perigo se usados incorrectamente por pessoas não qualificadas ou se usados para fins diferentes daqueles para os quais foram concebidos.

A designação e o número de série são indicados na placa de características.

- ▶ Registe o número de série na tabela seguinte. Precisa dos dados do produto para colocar questões ao nosso representante ou posto de serviço de atendimento aos clientes.

2 Segurança

2.1 Normas de segurança gerais para ferramentas eléctricas

⚠ AVISO! Leia todas as normas de segurança e instruções. O não cumprimento das normas de segurança e instruções pode resultar em choque eléctrico, incêndio e/ou lesões graves.

Guarde bem todas as normas de segurança e instruções para futura referência.

Segurança no posto de trabalho

- ▶ **Mantenha a sua área de trabalho limpa e bem iluminada.** Locais desarrumados ou mal iluminados podem ocasionar acidentes.
- ▶ **Não utilize a ferramenta eléctrica em ambientes explosivos ou na proximidade de líquidos ou gases inflamáveis.** Ferramentas eléctricas produzem faíscas que podem provocar a ignição de pó e vapores.
- ▶ **Mantenha crianças e terceiros afastados durante os trabalhos.** Distacções podem conduzir à perda de controlo sobre a ferramenta.

Segurança eléctrica

- ▶ **Evite o contacto do corpo com superfícies ligadas à terra, como, por exemplo, canos, radiadores, fogões e frigoríficos.** Existe um risco elevado de choque eléctrico se o corpo estiver com ligação à terra.
- ▶ **As ferramentas eléctricas não devem ser expostas à chuva nem à humidade.** A infiltração de água numa ferramenta eléctrica aumenta o risco de choque eléctrico.

Segurança física

- ▶ **Esteja alerta, observe o que está a fazer e tenha prudência ao trabalhar com uma ferramenta eléctrica. Se estiver cansado ou sob influência de drogas, álcool ou medicamentos não efectue nenhum trabalho com ferramentas eléctricas.** Um momento de distração ao operar a ferramenta eléctrica pode causar ferimentos graves.
- ▶ **Use equipamento de segurança. Use sempre óculos de protecção.** Equipamento de segurança, como, por exemplo, máscara antipoeiras, sapatos de segurança antiderrapantes, capacete de segurança ou protecção auricular, de acordo com o tipo e aplicação da ferramenta eléctrica, reduzem o risco de lesões.
- ▶ **Evite um arranque involuntário. Assegure-se de que a ferramenta eléctrica está desligada antes de a ligar à bateria, pegar nela ou a transportar.** Transportar a ferramenta eléctrica com o dedo no interruptor ou ligar uma ferramenta à tomada com o interruptor ligado (ON) pode resultar em acidentes.
- ▶ **Remova quaisquer chaves de ajuste (chaves de fenda), antes de ligar a ferramenta eléctrica.** Um acessório ou chave deixado preso numa parte rotativa da ferramenta pode causar ferimentos.
- ▶ **Evite posturas corporais desfavoráveis. Mantenha sempre uma posição correcta, em perfeito equilíbrio.** Desta forma será mais fácil manter o controlo sobre a ferramenta eléctrica em situações inesperadas.



- ▶ **Use roupa apropriada. Não use roupa larga ou jóias. Mantenha o cabelo, vestuário e luvas afastados das peças móveis.** Roupas largas, jóias ou cabelos compridos podem ficar presos nas peças móveis.
- ▶ **Se poderem ser montados sistemas de remoção e de recolha de pó, assegure-se de que estes estão ligados e são utilizados correctamente.** A utilização de um sistema de remoção de pó pode reduzir os perigos relacionados com a exposição ao mesmo.

Utilização e manuseamento da ferramenta eléctrica

- ▶ **Não sobrecarregue a ferramenta. Use para o seu trabalho a ferramenta eléctrica correcta.** Com a ferramenta eléctrica adequada obterá maior eficiência e segurança se respeitar os seus limites.
- ▶ **Não utilize a ferramenta eléctrica se o interruptor estiver defeituoso.** Uma ferramenta eléctrica que já não possa ser accionada pelo interruptor é perigosa e deve ser reparada.
- ▶ **Remova a bateria, antes de efectuar ajustes na ferramenta, substituir acessórios ou guardar a ferramenta.** Esta medida preventiva evita o accionamento accidental da ferramenta eléctrica.
- ▶ **Guarde ferramentas eléctricas não utilizadas fora do alcance das crianças. Não permita que o aparelho seja utilizado por pessoas não familiarizadas com o mesmo ou que não tenham lido estas instruções.** Ferramentas eléctricas operadas por pessoas não treinadas são perigosas.
- ▶ **Faça uma manutenção cuidadosa das ferramentas eléctricas. Verifique se as partes móveis funcionam perfeitamente e não emperram ou se há peças quebradas ou danificadas que possam influenciar o funcionamento da ferramenta eléctrica. Peças danificadas devem ser reparadas antes da utilização da ferramenta.** Muitos acidentes são causados por ferramentas eléctricas com manutenção deficiente.
- ▶ **Mantenha as ferramentas de corte sempre afiadas e limpas.** Acessórios com gumes afiados tratados correctamente emperram menos e são mais fáceis de controlar.
- ▶ **Utilize a ferramenta eléctrica, acessórios, bits, etc., de acordo com estas instruções. Tome também em consideração as condições de trabalho e o trabalho a ser efectuado.** A utilização da ferramenta eléctrica para outros fins além dos previstos, pode ocasionar situações de perigo.

Utilização e manuseamento da ferramenta a bateria

- ▶ **Apenas deverá carregar as baterias em carregadores recomendados pelo fabricante.** Num carregador adequado para um determinado tipo de baterias existe perigo de incêndio se for utilizado para outras baterias.
- ▶ **Nas ferramentas eléctricas utilize apenas as baterias previstas.** A utilização de outras baterias pode causar ferimentos e riscos de incêndio.
- ▶ **Quando a bateria não estiver em uso, mantenha-a afastada de outros objectos de metal, como, por exemplo, cliques, moedas, chaves, pregos, parafusos, ou outros pequenos objectos metálicos que possam ligar em ponte os contactos.** Um curto-circuito entre os contactos da bateria pode causar queimaduras ou incêndio.
- ▶ **Utilizações inadequadas podem provocar derrame do líquido da bateria. Evite o contacto com este líquido.** O líquido que escorre da bateria pode provocar irritações ou queimaduras da pele. No caso de contacto accidental, enxágue imediatamente com água. Se o líquido entrar em contacto com os olhos, procure auxílio médico.

Assistência

- ▶ **A sua ferramenta eléctrica só deve ser reparada por pessoal qualificado e só devem ser utilizadas peças sobressalentes originais.** Isto assegurará que a segurança da ferramenta eléctrica se mantenha.

2.2 Normas de segurança comuns para trabalhos de rebarbar, lixar com papel de lixa, trabalhos com escovas de arame, polir e separar por disco de corte:

- ▶ **Esta ferramenta eléctrica é para ser utilizada como rebarbadora, escova de arame e cortadora por abrasão. Observe todas as normas de segurança, instruções, ilustrações e dados que vêm com a ferramenta.** Caso não observe as instruções que se seguem, pode ocorrer choque eléctrico, incêndio e/ou ferimentos graves.
- ▶ **Esta ferramenta eléctrica não é adequada para trabalhos de lixagem com papel de lixa e polimento.** Aplicações, para as quais a ferramenta eléctrica não está prevista, podem provocar perigos e ferimentos.
- ▶ **Não utilize acessórios que não tenham sido previstos e recomendados pelo fabricante especificamente para esta ferramenta eléctrica.** O simples facto de poder fixar o acessório na sua ferramenta eléctrica não garante uma utilização segura.
- ▶ **A velocidade permitida do acessório deve estar dimensionada para, no mínimo, a velocidade máxima que consta na ferramenta eléctrica.** Acessórios que rodam a uma velocidade superior à permitida podem fragmentar-se e ser projectados.



- ▶ **Diâmetro exterior e espessura do acessório devem corresponder às dimensões da sua ferramenta eléctrica.** Acessórios mal dimensionados não podem ser resguardados ou controlados o suficiente.
- ▶ **Acessórios com acoplamento de rosca têm de se ajustar exactamente à rosca do veio. No caso dos acessórios que são montados através de flange, o diâmetro do orifício do acessório tem de se ajustar ao diâmetro de encaixe do flange.** Acessórios que não são fixados correctamente na ferramenta eléctrica rodam de forma irregular, vibram fortemente e podem levar à perda do controlo.
- ▶ **Não utilize acessórios danificados. Antes de cada utilização, examine os acessórios, tais como discos de rebarbar quanto a fragmentos e fissuras; discos abrasivos quanto a fissuras, desgaste ou forte deterioração; escovas de arame quanto a arames soltos ou partidos. No caso de a ferramenta eléctrica ou o acessório cair, verifique se ficou danificado ou utilize um acessório intacto. Quando tiver examinado e montado o acessório, mantenha-se a si e pessoas que se encontrem nas proximidades, fora do plano do acessório em movimento e deixe trabalhar a ferramenta durante um minuto à velocidade máxima.** A maior parte dos acessórios danificados parte durante este período de ensaio.
- ▶ **Use equipamento de protecção individual. Use máscara de protecção integral, protecção ocular ou óculos de protecção consoante a aplicação. Desde que adequado, use máscara antipoeiras, protecção auricular, luvas de protecção ou avental especial para manter pequenas partículas de abrasão e de materiais afastadas de si.** Os olhos devem ser protegidos de objectos estranhos projectados que são produzidos em diversas aplicações. As máscaras antipoeiras ou respiratórias devem filtrar as poeiras que são produzidas durante a utilização. Se estiver exposto durante muito tempo a ruído intenso, poderá vir a sofrer de perda de audição.
- ▶ **Assegure-se de que outras pessoas se mantêm afastadas o suficiente da sua zona de trabalho. Cada pessoa que entrar na zona de trabalho tem de usar equipamento de protecção individual.** Fragmentos da peça a trabalhar ou dos acessórios partidos podem ser projectados e provocar ferimentos mesmo para além da zona de trabalho directa.
- ▶ **Segure a ferramenta eléctrica apenas pelas áreas isoladas dos punhos quando executar trabalhos onde a lâmina pode encontrar cabos eléctricos encobertos.** O contacto com um cabo sob tensão também pode colocar partes metálicas da ferramenta sob tensão e causar um choque eléctrico.
- ▶ **Mantenha o cabo de rede afastado de acessórios em movimento.** Se perder o controlo sobre a ferramenta, o cabo de rede pode ser cortado ou agarrado e a sua mão ou braço puxado contra o acessório em movimento.
- ▶ **Nunca pouse a ferramenta eléctrica enquanto o acessório não estiver completamente parado.** O acessório em movimento pode entrar em contacto com a superfície de apoio, levando-o a perder o controlo sobre a ferramenta eléctrica.
- ▶ **Não deixe a ferramenta eléctrica a funcionar enquanto a transporta.** A sua roupa pode ser agarrada devido a contacto accidental com o acessório em movimento e este perfurar o corpo.
- ▶ **Limpe regularmente as saídas de ar da sua ferramenta eléctrica.** O ventilador do motor aspira poeiras para dentro da carcaça, podendo originar perigos de origem eléctrica devido a uma forte acumulação de póis metálicos.
- ▶ **Não utilize a ferramenta eléctrica na proximidade de materiais inflamáveis.** Faiscas podem inflamar tais materiais.
- ▶ **Não utilize quaisquer acessórios que exijam líquidos de refrigeração.** A utilização de água ou outros líquidos de refrigeração pode resultar num choque eléctrico.

Normas de segurança em caso de coice

O coice é a reacção repentina em consequência de um acessório em movimento, como disco de rebarbar, prato de rebarbar, escova de arame etc., preso ou bloqueado. A prisão ou bloqueio ocasiona uma paragem súbita do acessório em movimento. Isto faz com que uma ferramenta eléctrica descontrolada seja acelerada no ponto do bloqueio contra o sentido de rotação do acessório.

Quando, por ex., um disco de rebarbar prende ou fica bloqueado numa peça, o rebordo do disco que mergulha na peça pode encravar-se e o disco fugir ou provocar assim um coice. O disco de rebarbar move-se então no sentido do operador ou afasta-se dele, conforme o sentido de rotação do disco no ponto do bloqueio. Isto também pode levar à quebra dos discos de rebarbar.

Um coice é a consequência de uma utilização incorrecta ou deficiente da ferramenta eléctrica. Este pode ser evitado através de medidas de precaução adequadas, como descrito a seguir.

- ▶ **Agarre bem a ferramenta eléctrica e coloque o seu corpo e os seus braços numa posição em que poderá absorver as forças do coice. Utilize sempre o punho adicional, caso exista, para ter o máximo controlo possível sobre as forças do coice ou os torques de reacção durante o arranque.** O operador pode dominar as forças do coice e de reacção através de medidas de precaução adequadas.
- ▶ **Nunca coloque a sua mão na proximidade de acessórios em movimento.** O acessório pode, em caso de coice, atravessar a sua mão.



- ▶ **Afaste o seu corpo da zona para onde a ferramenta eléctrica é deslocada no caso de um coice.** O coice propuliona a ferramenta eléctrica no sentido oposto ao do movimento do disco de rebarbar no ponto do bloqueio.
- ▶ **Trabalhe com particular precaução perto de cantos, arestas vivas, etc. Evite que acessórios ressaltem da peça e encravem.** O acessório em movimento tem a tendência de se encravar em cantos, arestas vivas ou quando ressalta, o que provoca uma perda de controlo ou coice.
- ▶ **Não utilize uma lâmina de serra de cadeia ou dentada.** Acessórios deste tipo provocam frequentemente um coice ou a perda do controlo sobre a ferramenta eléctrica.

Normas de segurança especiais para trabalhos de rebarbar e de corte por abrasão:

- ▶ **Utilize exclusivamente os rebolos autorizados para a sua ferramenta eléctrica e o resguardo de disco previsto para estes rebolos.** Rebolos que não estão previstos para a ferramenta eléctrica não podem ser resguardados o suficiente e não são seguros.
- ▶ **Discos de rebarbar côncavos devem ser montados de tal forma que a sua superfície de rebarbar não sobressaia do plano do rebordo do resguardo.** Um disco de rebarbar incorrectamente montado, que sobressaia do plano do rebordo do resguardo, não pode ser suficientemente blindado.
- ▶ **O resguardo de disco tem de estar bem colocado na ferramenta eléctrica e ajustado para um máximo de segurança de modo que a parte mais pequena possível do rebolo esteja virada de forma desprotegida para o operador.** O resguardo de disco ajuda a proteger o operador de fragmentos, contacto accidental com o rebolo bem como faíscas que poderiam incendiar o vestuário.
- ▶ **Rebolos só podem ser utilizados para as possibilidades de aplicação recomendadas. Por exemplo: nunca rebarbe com a superfície lateral de um disco de corte.** Discos de corte destinam-se à abrasão de material com o rebordo do disco. A aplicação lateral de força sobre estes rebolos pode parti-los.
- ▶ **Utilize sempre flanges de aperto não danificados, com a dimensão e forma apropriadas para o disco de rebarbar por si escolhido.** Flanges adequados apoiam o disco de rebarbar e reduzem assim o risco de quebra do disco. Flanges para discos de corte podem ser diferentes dos flanges para outros discos de rebarbar.
- ▶ **Não utilize discos de rebarbar gastos, de ferramentas eléctricas maiores.** Discos de rebarbar para ferramentas eléctricas maiores não estão dimensionados para as velocidades mais elevadas de ferramentas eléctricas mais pequenas, podendo partir.

Outras normas de segurança especiais para trabalhos de corte por abrasão:

- ▶ **Evite o bloqueio do disco de corte ou força de encosto excessiva. Não execute cortes excessivamente fundos.** Uma sobrecarga do disco de corte aumenta o respectivo esforço e a predisposição para encravar ou bloquear e, assim, a possibilidade de um coice ou quebra do rebolo.
- ▶ **Evite a zona à frente e atrás do disco de corte em movimento.** Quando afasta de si o disco de corte na peça, a ferramenta eléctrica com o disco em movimento pode, no caso de um coice, ser projectada directamente na sua direcção.
- ▶ **Caso o disco de corte encrave ou o trabalho seja interrompido, desligue a ferramenta e segure-a quieta, até o disco estar imobilizado. Nunca tente puxar o disco ainda em rotação para fora do corte, pois isso pode causar um coice.** Determine e corrija a causa para o encravar do disco.
- ▶ **Não volte a ligar a ferramenta eléctrica enquanto esta se encontrar encravada na peça. Deixe que o disco de corte atinja primeiro a sua velocidade plena, antes de prosseguir, com precaução, o corte.** Caso contrário, o disco pode prender, saltar da peça ou provocar um coice.
- ▶ **Escove placas ou peças grandes, de modo a diminuir o risco de um coice devido a um disco de corte encravado.** Peças grandes podem flectir sob o seu próprio peso. A peça tem de ser escorada de ambos os lados do disco, tanto na proximidade do corte de separação como também na borda.
- ▶ **Tenha particular atenção no caso de "cortes de imersão" em paredes existentes ou noutras áreas não inspecionáveis.** Ao mergulhar na peça, o disco de corte pode provocar um coice durante o corte em tubagens de gás ou água, cabos eléctricos ou outros objectos.

Normas de segurança especiais para trabalhos com escovas de arame:

- ▶ **Tenha em conta que a escova de arame também perde pontas de arame durante a utilização normal. Não sobrecarregue os arames exercendo pressão de encosto excessiva.** Pontas de arame projectadas podem atravessar facilmente roupa de pouca espessura e/ou a pele.
- ▶ **No caso de se recomendar um resguardo de disco, evite que o resguardo de disco e a escova de arame se possam tocar.** Escovas de disco e de copo podem aumentar o respectivo diâmetro devido à pressão de encosto e forças centrífugas.

2.3 Normas de segurança adicionais

Segurança física

- ▶ Utilize o produto somente se estiver em perfeitas condições técnicas.



- ▶ Nunca efectue quaisquer manipulações ou modificações na ferramenta.
- ▶ Evite o contacto com peças rotativas - Perigo de ferimentos!
- ▶ Também deve usar luvas de protecção durante a substituição de acessórios. Tocar no acessório pode causar ferimentos por corte e queimaduras.
- ▶ Antes de iniciar os trabalhos, apure a classe de perigo do pó gerado. Utilize um aspirador industrial com protecção aprovada e que esteja de acordo com as regulamentações locais sobre emissão de poeiras nocivas para o ambiente. Pós de materiais, como tinta com chumbo, algumas madeiras, betão/alvenaria/rochas quartzíferas, minerais e metal podem ser nocivos.
- ▶ Garanta uma boa ventilação do local de trabalho e, se necessário, use uma máscara de protecção respiratória, adequada para o respectivo pó. O contacto ou inalação do pó podem provocar reacções alérgicas e/ou doenças das vias respiratórias no utilizador ou em pessoas que se encontrem nas proximidades. Determinados pós, como os de carvalho ou de faia, são considerados cancerígenos, especialmente em combinação com aditivos para o tratamento de madeiras (cromato, produtos para a preservação de madeiras). Material que contenha amianto só pode ser manuseado por pessoal especializado.
- ▶ Faça pausas e exercícios para melhorar a circulação sanguínea nas mãos. Os trabalhos mais longos, devido às vibrações, podem causar distúrbios nos vasos sanguíneos ou no sistema nervoso dos dedos, mãos ou pulsos.

Segurança eléctrica

- ▶ Antes de iniciar os trabalhos, verifique o local de trabalho relativamente a cabos eléctricos encobertos, bem como tubos de gás e água. Partes metálicas externas da ferramenta podem causar um choque eléctrico se, inadvertidamente, danificarem uma linha eléctrica.

Utilização e manutenção de ferramentas eléctricas

- ▶ Não utilize discos de corte para rebarbar.
- ▶ Aperte firmemente o acessório e o flange. Se o acessório e o flange não forem apertados firmemente, depois de desligar existe a possibilidade de o acessório se soltar do veio ao ser travado pelo motor da ferramenta.
- ▶ Observe as instruções do fabricante para manuseamento e arrumação dos discos de corte.

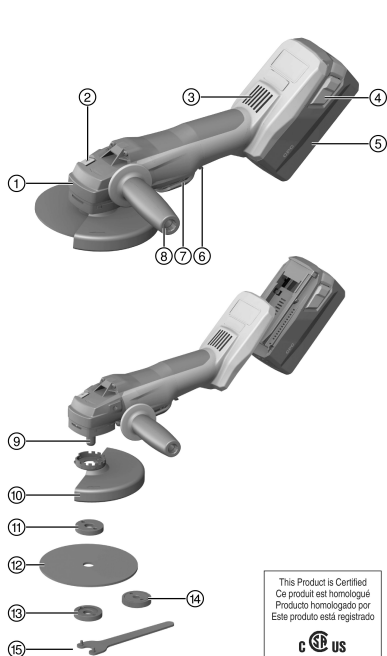
2.4 Utilização e manutenção de baterias

- ▶ Observe as regras específicas sobre transporte, armazenagem e utilização de baterias de iões de lítio.
- ▶ Mantenha as baterias afastadas de temperaturas elevadas, radiação solar directa e fogo.
- ▶ As baterias não podem ser desmanteladas, esmagadas, aquecidas acima dos 80 °C ou incineradas.
- ▶ Não utilize ou carregue quaisquer baterias que tenham sofrido golpes, tenham caído de altura superior a um metro ou tenham sido danificadas de outra forma. Neste caso, contacte sempre o seu **Centro de Assistência Técnica Hilti**.
- ▶ Se a bateria estiver demasiado quente ao toque, poderá estar com defeito. Coloque o produto num local que não constitua risco de incêndio, suficientemente afastado de materiais combustíveis, onde possa ser vigiado e deixe-o arrefecer. Neste caso, contacte sempre o seu **Centro de Assistência Técnica Hilti**.



3 Descrição

3.1 Vista geral do produto



- ① Botão de destravamento do resguardo
- ② Botão de bloqueio do veio
- ③ Saídas de ar
- ④ Botão de destravamento com função adicional – activação do indicador do estado de carga
- ⑤ Bateria
- ⑥ Dispositivo de bloqueio
- ⑦ Interruptor on/off
- ⑧ Punho auxiliar com absorção de vibrações
- ⑨ Veio
- ⑩ Resguardo de origem
- ⑪ Flange de aperto
- ⑫ Disco de corte/Disco de desbaste
- ⑬ Porca de aperto
- ⑭ Porca de aperto rápido **Kwik lock** (opcional)
- ⑮ Chave de aperto

This Product is Certified
 Ce produit est homologué
 Producto homologado por
 Este producto está registrado

3.2 Utilização conforme a finalidade projectada

O produto descrito é uma rebarbadora angular a bateria de utilização manual. Foi concebida para cortar e desbastar materiais metálicos e minerais por abrasão, bem como para escovar sem a utilização de água. Só pode ser utilizada para cortar e rebarbar a seco.

- O corte por abrasão, a abertura de roços e o desbaste por abrasão de materiais minerais só é permitido se for utilizado o resguardo correspondente do disco (disponível como acessório).
- Ao trabalhar materiais minerais, como betão ou pedra, recomendamos genericamente a utilização de um dispositivo de extracção de pó adaptado a um aspirador **Hilti** adequado. Este protege o utilizador e aumenta o tempo de vida útil da ferramenta e do acessório.
- ▶ Para este produto, utilize apenas as baterias de iões de lítio **Hilti** da série B 36.
- ▶ Para estas baterias, utilize apenas os carregadores **Hilti** da série C4/36.

3.3 Incluído no fornecimento

Rebarbadora angular, punho auxiliar, resguardo de origem, tampa dianteira, flange de aperto, porca tensora, chave de aperto, manual de instruções.

3.4 Protecção da ferramenta dependente da temperatura

O sistema de protecção do motor evita que a ferramenta entre em sobreaquecimento, monitorizando a potência de entrada e a temperatura do motor.

Em caso de sobrecarga do motor devido a excessiva força de pressão, a potência da ferramenta diminuirá consideravelmente, podendo até o motor parar.

Caso se verifique uma paragem ou uma redução das rotações devido a sobrecarga, alivie a pressão exercida e deixe a ferramenta a trabalhar sem carga por aprox. 30 segundos.

3.5 Resguardo do disco com tampa dianteira

Para desbastar por abrasão com discos de desbaste por abrasão rectos e para cortar por abrasão com discos de corte por abrasão ao trabalhar materiais metálicos deve utilizar-se o resguardo de origem com tampa dianteira.

3.6 Dispositivo de extracção de pó para trabalhos de corte DC-EX 125/5" C (acessório)

Para cortar materiais minerais por abrasão com discos de corte por abrasão diamantados deve utilizar-se o resguardo compacto DC-EX 125/5" C.

CUIDADO Não é permitido trabalhar metal com este resguardo.

3.7 Dispositivo de extracção de pó (rebarbar) DG-EX 125/5" (acessório)

O sistema de rebarbar só é adequado para rebarbar materiais minerais com mó diamantada (trabalhos ocasionais).

CUIDADO Não é permitido trabalhar metal com este resguardo.

3.8 Consumíveis

Só devem ser utilizados discos reforçados com fibras e ligados com resina sintética para, no máx., Ø 6" que estejam aprovados para uma rotação de, pelo menos, 8500 rpm e uma velocidade periférica de 80 m/s.

Nos discos de desbaste, a espessura deve ser no máx. 1/4" e nos discos de corte, no máx. 1/8".

ATENÇÃO! Ao efectuar trabalhos de corte e abertura de roços com discos de corte, utilize sempre o resguardo de origem com tampa dianteira adicional ou um dispositivo de extracção de pó completamente fechado.

Discos

	Aplicação	Sigla	Material base
Disco de corte abrasivo	Cortar por abrasão, abrir roços	AC-D	metálico
Disco de corte diamantado	Cortar por abrasão, abrir roços	DC-TP, DC-D (SPX, SP, P)	mineral
Disco de desbaste abrasivo	Desbastar por abrasão	AG-D, AF-D, AN-D, AG-D Tipo 27	metálico
Disco de desbaste diamantado	Desbastar por abrasão	DG-CW (SPX, SP, P)	mineral
Escova de arame	Escovas de arame	3CS, 4CS, 3SS, 4SS	metálico

Atribuição dos discos ao equipamento utilizado

Pos.	Equipamento	AC-D	AG-D	AF-D	AN-D	DG-CW (SPX, SP, P)	DC-TP, DC-D (SPX, SP, P)	3CS, 4CS, 3SS, 4SS	AG-D Tipo 27
A	Resguardo do disco	X	X	X	X	X	X	X	—
B	Tampa dianteira (em combinação com A)	X	—	—	—	—	X	—	—
C	Dispositivo de extracção de pó (rebarbar) DG-EX 125/5"	—	—	—	—	X	-	—	—
D	Dispositivo de extracção de pó (cortar) DC-EX 125/5"C (em combinação com A)	—	—	—	—	-	X	—	—
E	Punho auxiliar	X	X	X	X	X	X	X	X
F	Punho em arco DCBG 125 (opcional para E)	X	X	X	X	X	X	X	X
G	Porca tensora	X	X	X	X	X	X	—	—



Pos.	Equipamento	AC-D	AG-D	AF-D	AN-D	DG-CW (SPX, SP, P)	DC-TP, DC-D (SPX, SP, P)	3CS, 4CS, 3SS, 4SS	AG-D Tipo 27
H	Falange de aperto	X	X	X	X	X	X	—	—
I	Kwik lock (opcional para G)	X	X	X	X	-	X	—	—
J	Resguardo de disco Tipo 27	—	—	—	—	—	—	—	X

3.9 Indicador do estado de carga da bateria de iões de lítio

O estado de carga da bateria de iões de lítio é exibido depois de pressionado um dos dois botões de destravamento da bateria.

Estado	Significado
4 LED acendem.	• Estado de carga: 75% a 100%
3 LED acendem.	• Estado de carga: 50% a 75%
2 LED acendem.	• Estado de carga: 25% a 50%
1 LED acende.	• Estado de carga: 10% a 25%
1 LED pisca.	• Estado de carga: < 10%



Não é possível a consulta do estado de carga durante e imediatamente a seguir aos trabalhos. Se os LED do indicador do estado de carga da bateria estiverem a piscar, leia as indicações no capítulo Ajuda em caso de avarias.

4 Características técnicas

4.1 Rebarbadora angular

	AG 600-A36
Tensão nominal	36 V
Velocidade nominal	8 500 rpm
Diâmetro máximo dos discos	6 in
Diâmetro máximo dos discos	150 mm
Peso	7,7 lb (3,5 kg)
Rosca do veio de accionamento	5/8"-11

5 Antes de iniciar a utilização

5.1 Encaixar a bateria

CUIDADO

Risco de ferimentos. Devido a arranque involuntário da rebarbadora angular.

- ▶ Antes de introduzir a bateria, certifique-se de que a rebarbadora angular está desligada e o dispositivo de bloqueio activado.

CUIDADO

Riscos eléctricos. Devido a contactos sujos pode ocorrer um curto-circuito.

- ▶ Antes de inserir a bateria na ferramenta, certifique-se de que os contactos da bateria e os contactos na rebarbadora angular estão livres de corpos estranhos.



 **CUIDADO**

Risco de ferimentos. A bateria pode cair se não estiver correctamente encaixada.

- ▶ Verifique se a bateria está correctamente encaixada na ferramenta para que não caia e o ferir a si bem como outras pessoas.
- ▶ Coloque a bateria e verifique se ela está correctamente encaixada na ferramenta.

5.2 Retirar a bateria

- ▶ Retire a bateria.

5.3 Colocação do punho auxiliar

- ▶ Enrosque o punho auxiliar num dos casquilhos roscados previstos para o efeito.


5.4 Montar ou desmontar o resguardo do disco

 **CUIDADO**

Risco de ferimentos. O acessório pode estar quente ou com arestas vivas.

- ▶ Use luvas de protecção durante a montagem, desmontagem, trabalhos de ajuste e eliminação de avarias.
- ▶ Preste atenção às instruções de montagem do respectivo resguardo do disco.

5.4.1 Colocar o resguardo de disco

 O resguardo de disco possui ranhuras de posicionamento que garantem que apenas os resguardos adequados podem ser utilizados na ferramenta. As ranhuras de posicionamento do resguardo de disco encaixam no respectivo suporte da ferramenta.

1. Coloque o resguardo de disco na gola do veio de forma que as duas marcas triangulares no resguardo e na ferramenta coincidam.
2. Empurre o resguardo do disco sobre a gola em torno do veio de transmissão.
3. Pressione o botão de destravamento do resguardo.
4. Rode o resguardo até ele engatar e o botão de destravamento do resguardo voltar para trás.

5.4.2 Ajustar o resguardo do disco

- ▶ Pressione o botão de destravamento do resguardo e rode o resguardo de disco para a posição desejada, até que encaixe.

5.4.3 Desmontar o resguardo de disco

1. Pressione o botão de destravamento do resguardo e rode o resguardo de disco até que as duas marcas triangulares no resguardo e na ferramenta coincidam.
2. Retire o resguardo do disco.

5.5 Montar ou desmontar a tampa dianteira

 Quando se trabalha com a tampa dianteira, esta é encaixada no resguardo de disco.

1. Coloque a tampa dianteira com o lado fechado sobre o resguardo de origem até que o fecho engate.
2. Para desmontar, abra o fecho da tampa dianteira e retire-a do resguardo de origem.

5.6 Posicionar o resguardo compacto DC-EX 125/5" C

- ▶ Posicione o resguardo compacto de forma que o interruptor on/off esteja sempre acessível e operável.



5.7 Montar ou desmontar acessórios

AVISO

Risco de ferimentos. Ao travar o motor da ferramenta, o acessório pode soltar-se.

- ▶ Aguarde até que o acessório esteja parada, antes de agarrar o acessório ou a porca tensora.
- ▶ Aperte firmemente o acessório e a flange de aperto com a porca tensora de modo que, ao travar o motor da ferramenta, nenhuma peça se soltem do veio.

CUIDADO

Risco de ferimentos. O acessório pode estar quente.

- ▶ Use luvas de protecção ao mudar o acessório.

CUIDADO

Perigo devido a desprendimento não controlado em caso de acessório com rosca incorporada! Uma montagem inadequada do acessório pode causar ferimentos graves.

- ▶ Aperte o acessório com rosca incorporada sempre à mão.



Discos diamantados têm de ser substituídos logo que a capacidade de corte ou rebarbar diminua claramente. Isso acontece em geral quando a altura dos segmentos diamantados é inferior a 1/16".

Outros tipos de discos têm de ser substituídos logo que a capacidade de corte diminui claramente ou partes da rebarbadora angular (excepto o disco), durante o trabalho, entram em contacto com o material a trabalhar.

Discos abrasivos têm de ser substituídos uma vez expirado o prazo de validade.

5.7.1 Montar o acessório

1. Retire a bateria. → Página 54
2. Limpe a flange de aperto e a porca de aperto.
3. Coloque o flange de aperto no veio.
4. Coloque o acessório.
5. Aperte a porca de aperto consoante o acessório utilizado.
6. Pressione o botão de bloqueio do veio e mantenha-o pressionado.
7. Com a chave de aperto, aperte a porca de aperto. Em seguida, solte o botão de bloqueio do veio e retire a chave de aperto.

5.7.2 Desmontar o acessório

1. Retire a bateria. → Página 54

CUIDADO

Risco de quebra e de destruição. Quando o botão de bloqueio do veio é pressionado enquanto o veio roda, o acessório pode soltar-se.

- ▶ Pressione o botão de bloqueio do veio só quando o veio parar de rodar.
2. Pressione o botão de bloqueio do veio e mantenha-o pressionado.
 3. Solte a porca tensora, aplicando a chave de aperto e rodando-a no sentido contrário ao dos ponteiros do relógio.
 4. Largue o botão de bloqueio do veio e retire o acessório.

5.7.3 Montar acessório com porca de aperto rápido **Kwik lock**

CUIDADO

Risco de ruptura. Devido ao desgaste acentuado, a porca de aperto rápido **Kwik lock** pode sofrer ruptura.

- ▶ Durante os trabalhos, certifique-se de que a porca de aperto rápido **Kwik lock** não toca no material base.
- ▶ Não utilize porcas de aperto rápido **Kwik lock** danificadas.



A porca de aperto rápido **Kwik lock** pode ser utilizada em vez da porca de aperto normal. Não são assim necessárias ferramentas adicionais para substituir os acessórios.

1. Retire a bateria. → Página 54
2. Limpe a flange de aperto e a porca de aperto rápido.
3. Coloque o flange de aperto no veio.
4. Coloque o acessório.
5. Aperte o **Kwik lock** sobre o veio até encostar no acessório.
 - ◀ A gravação **Kwik lock** fica visível após a porca ter sido apertada.
6. Pressione o botão de bloqueio do veio e mantenha-o pressionado.
7. Continue a rodar o acessório manualmente (com firmeza) na direção dos ponteiros do relógio até que a porca de aperto rápido **Kwik lock** esteja completamente apertada; em seguida, solte o botão de bloqueio do veio.

5.7.4 Desmontar acessório com porca de aperto rápido **Kwik lock**

1. Retire a bateria. → Página 54

CUIDADO

Risco de quebra e de destruição. Quando o botão de bloqueio do veio é pressionado enquanto o veio roda, o acessório pode soltar-se.

- ▶ Pressione o botão de bloqueio do veio só quando o veio parar de rodar.
2. Pressione o botão de bloqueio do veio e mantenha-o pressionado.
 3. Solte a porca de aperto rápido **Kwik lock**, rodando-a à mão no sentido contrário ao dos ponteiros do relógio.
 4. Caso não seja possível desapertar à mão a porca de aperto rápido **Kwik lock**, aplique uma chave de aperto na porca de aperto rápido e rode-a no sentido contrário ao dos ponteiros do relógio.



Nunca utilize uma chave de tubos, para que a porca de aperto rápido **Kwik lock** não seja danificada.

5. Largue o botão de bloqueio do veio e retire o acessório.

5.7.5 Montar acessório com rosca integrada

1. Retire a bateria. → Página 54
2. Aparafuse o acessório ao veio de transmissão.
3. Pressione o botão de bloqueio do veio e mantenha-o pressionado.
4. Aperte o acessório com uma chave de forqueta e, em seguida, largue o botão de bloqueio do veio.

5.7.6 Desmontar o acessório

1. Retire a bateria. → Página 54

CUIDADO

Risco de quebra e de destruição. Quando o botão de bloqueio do veio é pressionado enquanto o veio roda, o acessório pode soltar-se.

- ▶ Pressione o botão de bloqueio do veio só quando o veio parar de rodar.
2. Pressione o botão de bloqueio do veio e mantenha-o pressionado.
 3. Solte o acessório com uma chave de forqueta.
 4. Largue o botão de bloqueio do veio e retire o acessório.

6 Utilização

6.1 Lixar

CUIDADO

Risco de ferimentos. O acessório pode encravar ou prender repentinamente.

- ▶ Utilize a ferramenta com o punho auxiliar (opcionalmente com o punho em arco) e segure a ferramenta sempre com ambas as mãos.



6.2 Cortar por abrasão

- ▶ Ao cortar por abrasão, trabalhe com avanço moderado e não emperre a ferramenta ou o disco de corte (a posição de trabalho situa-se aprox. 90° relativamente ao plano de corte).



A melhor maneira de separar perfis e tubos quadrados pequenos é aplicar o disco de corte na parte com a secção mais pequena.

6.3 Desbastar por abrasão



CUIDADO

Risco de ferimentos. O disco de corte por abrasão pode fragmentar-se e peças que se soltam podem provocar ferimentos.

- ▶ Nunca utilize discos de corte por abrasão para desbastar por abrasão.
- ▶ Mova a ferramenta em movimentos pendulares com um ângulo de ataque de 5° a 30° e com pressão moderada.
 - ◀ A peça não fica demasiado quente, não muda de cor e não ficam estrias.

6.4 Ligar no interruptor on/off com dispositivo de bloqueio



Com o interruptor on/off com dispositivo de bloqueio pode controlar a função de interruptor, impedindo um arranque involuntário da ferramenta.

1. Pressione o dispositivo de bloqueio para a frente.
 - ◀ O interruptor on/off será desbloqueado.
2. Pressione o interruptor on/off o máximo que puder.
 - ◀ Motor da ferramenta trabalha com velocidade em vazio.

6.5 Desligar no interruptor on/off com dispositivo de bloqueio

- ▶ Largue o interruptor on/off.
 - ◀ O dispositivo de bloqueio salta automaticamente para a posição de travamento.

7 Conservação, manutenção, transporte e armazenamento

7.1 Manutenção da ferramenta



PERIGO

Choque eléctrico devido à falta de isolamento duplo. Ao trabalhar metais em condições de utilização extremas, pode depositar-se pó condutor (por ex. metal, fibra de carbono) no interior da ferramenta e comprometer o isolamento duplo.

- ▶ Utilize um sistema de aspiração fixo em caso de condições de utilização extremas.
- ▶ Limpe frequentemente as saídas de ar.



AVISO

Perigo devido a corrente eléctrica. Reparações incorrectas em peças eléctricas podem causar ferimentos graves.

- ▶ As reparações em peças eléctricas só devem ser executadas por um electricista especializado.



CUIDADO

Arranque involuntário. Se a bateria não for retirada da ferramenta, esta pode arrancar inadvertidamente durante trabalhos de limpeza; isso pode provocar ferimentos.

- ▶ Retire a bateria da ferramenta antes de iniciar os trabalhos de limpeza.
- ▶ Mantenha a ferramenta, particularmente as superfícies do punho, seca, limpa e isenta de óleos e massas. Não utilize produtos de limpeza que contenham silicone.



- ▶ Nunca opere a rebarbadora angular com as saídas de ar obstruídas! Limpe as saídas de ar cuidadosamente com uma escova seca. Não deixe que substâncias externas entrem no interior da ferramenta.
- ▶ Limpe regularmente o exterior do aparelho com um pano ligeiramente húmido. Para a limpeza não utilize nenhum pulverizador, aparelho de jacto a vapor ou água corrente; caso contrário a segurança eléctrica do aparelho pode ser colocada em perigo.



Trabalhar frequentemente materiais condutores (por ex., metal, fibras de carbono) pode implicar intervalos de manutenção mais curtos. Observe a sua análise de risco individual do seu posto de trabalho.



Para um funcionamento seguro, utilize apenas peças sobresselentes e consumíveis originais. Poderá encontrar as peças sobresselentes, consumíveis e acessórios aprovados por nós para o seu produto no seu Centro de Assistência **Hilti** ou em: www.hilti.com

7.2 Conservação da bateria de iões de lítio

- ▶ Mantenha a bateria limpa e isenta de óleos e massas.
- ▶ Limpe regularmente o exterior com um pano ligeiramente húmido. Não utilize produtos de limpeza que contenham silicone.
- ▶ Para conseguir a vida útil máxima das baterias, desligue a ferramenta logo que seja notada uma quebra no seu desempenho.
- ▶ Carregue as baterias com o carregador aprovado pela **Hilti** para baterias de iões de lítio.

7.3 Verificação do aparelho após manutenção

- ▶ Verifique após os trabalho de conservação e manutenção se todos os dispositivos de protecção estão encaixados e se funcionam em perfeitas condições.

7.4 Transporte e armazenamento



AVISO

Perigo de incêndio. Perigo devido a curto-circuito.

- ▶ Nunca deverá guardar ou transportar as baterias de iões de lítio em embalagem solta.
- ▶ Puxe a bateria da posição de travamento para a primeira posição de engate.
- ▶ Ao enviar as baterias por via rodoviária, ferroviária, marítima ou aérea, observe as normas de transporte nacionais e internacionais em vigor.



A melhor forma de guardar a bateria é completamente carregada em local fresco e seco. Deixar as baterias expostas a temperaturas ambientes elevadas (por trás de um vidro) é inadequado, condiciona a sua vida útil e aumenta o ritmo de descarga espontânea das células.

Se a bateria não voltar a carregar completamente, poderá ter perdido capacidade devido a envelhecimento ou sobrecarga. Ainda é possível trabalhar com esta bateria. No entanto, deverá ser brevemente substituída por uma nova.

8 Ajuda em caso de avarias

No caso de avarias que não sejam mencionadas nesta tabela ou se não conseguir resolvê-las por si mesmo, contacte o nosso Centro de Assistência Técnica **Hilti**.

Avaria	Causa possível	Solução
A bateria descarrega-se mais depressa do que habitualmente.	Temperatura ambiente muito baixa.	▶ Deixe a bateria aquecer lentamente até à temperatura ambiente.
A bateria não encaixa com clique audível.	Patilhas de fixação na bateria estão sujas.	▶ Limpe as patilhas de fixação e volte a encaixar a bateria.
Pisca 1 LED. A ferramenta não funciona.	A bateria está descarregada.	▶ Substitua a bateria e carregue a bateria descarregada.



Avaria	Causa possível	Solução
Pisca 1 LED. A ferramenta não funciona.	Bateria está demasiado fria ou demasiado quente.	▶ Deixe a bateria aquecer ou arrefecer lentamente até à temperatura ambiente.
Todos os 4 LEDs piscam. A ferramenta não funciona.	A ferramenta está sobrecarregada.	▶ Largue o interruptor on/off e volte a accioná-lo. Em seguida, deixe trabalhar a ferramenta durante aprox. 30 segundos em vazio.
Rebarbadora angular ou bateria aquece demasiado.	Avaria eléctrica	▶ Desligue a ferramenta imediatamente, retire a bateria, observe a mesma, deixe-a arrefecer e contacte o Centro de Assistência Técnica Hilti .
Fraca performance da ferramenta.	Está introduzida bateria com capacidade insuficiente.	Capacidade: > 2,6 Ah ▶ Utilize uma bateria com capacidade suficiente.
Sem função de travagem do motor.	A bateria está descarregada.	▶ Substitua a bateria e carregue a bateria descarregada.
	A ferramenta está temporariamente sobrecarregada.	▶ Largue o interruptor on/off e volte a accioná-lo.

9 Reciclagem

As ferramentas **Hilti** são, em grande parte, fabricadas com materiais recicláveis. Um pré-requisito para a reciclagem é que esses materiais sejam devidamente separados. Em muitos países, a **Hilti** aceita a sua ferramenta usada para reutilização. Para mais informações dirija-se ao Serviço de Clientes **Hilti** ou ao seu vendedor.

Remover baterias

Uma reciclagem incorrecta de baterias pode representar perigo para a saúde devido à fuga de gases ou líquidos.

- ▶ Não envie quaisquer baterias danificadas!
- ▶ Para evitar curto-circuitos, cubra as conexões com um material não condutor.
- ▶ Elimine as baterias de modo a mantê-las longe do alcance das crianças.
- ▶ Efectue a reciclagem da bateria na sua **Hilti Store** ou entre em contacto com a empresa de recolha de lixo responsável.



- ▶ Não deite as ferramentas eléctricas, aparelhos electrónicos e baterias no lixo doméstico!

10 Garantia do fabricante

- ▶ Em caso de dúvidas quanto às condições de garantia, contacte o seu parceiro **Hilti** local.



Hilti Corporation
LI-9494 Schaan
Tel.: +423 234 21 11
Fax: +423 234 29 65
www.hilti.com



2106619