

HILTI

TE 76 / TE 76 P TE 76-ATC TE 76 P-ATC

Operating instructions

en

Mode d'emploi

fr

Manual de instrucciones

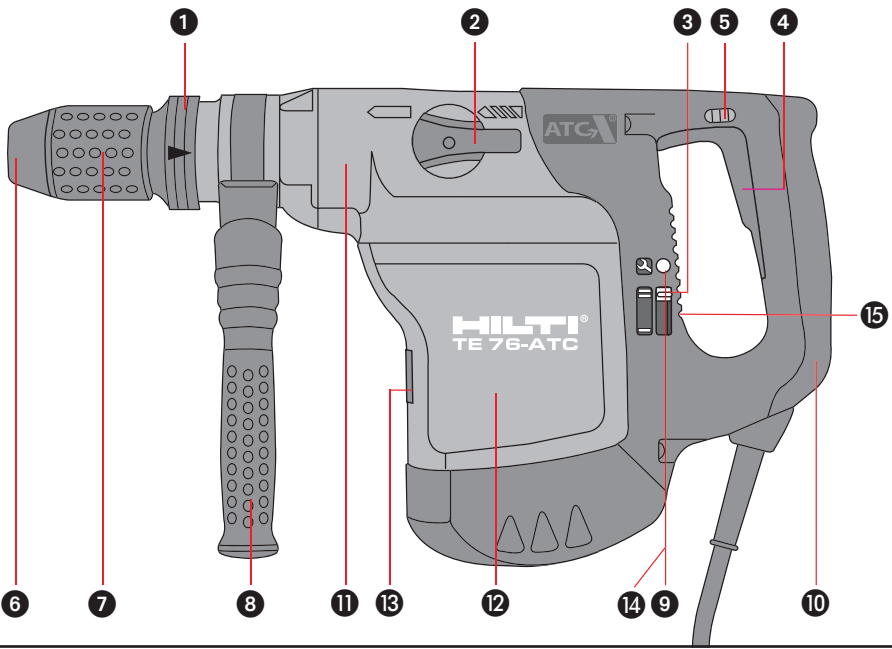
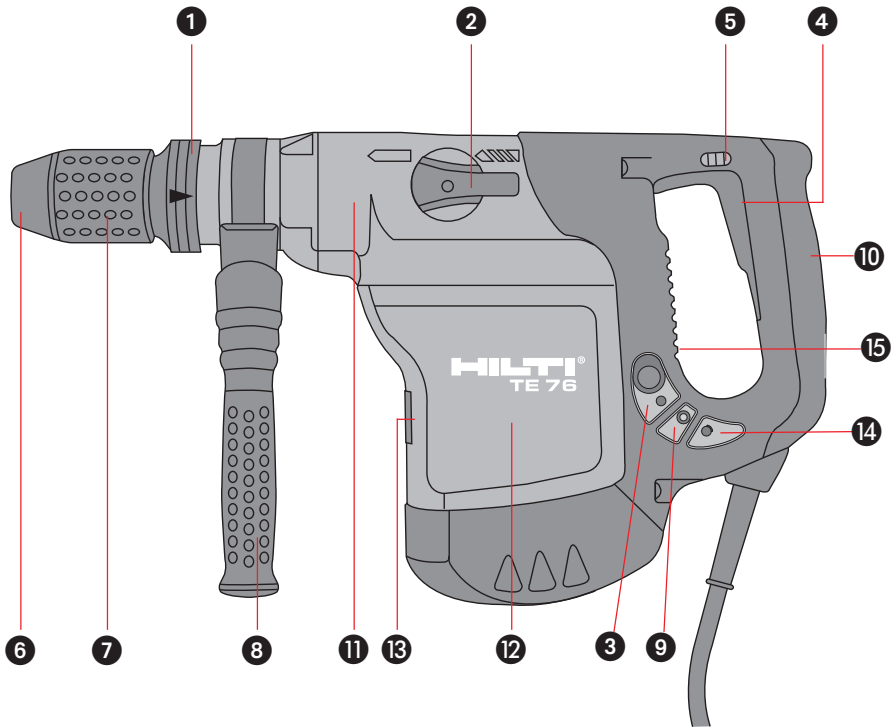
es

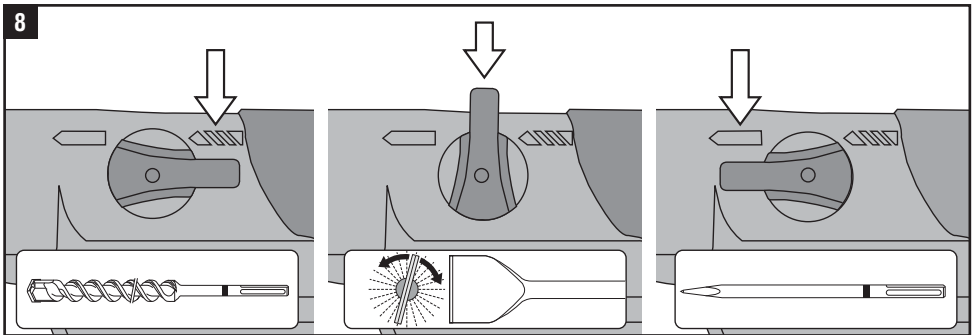
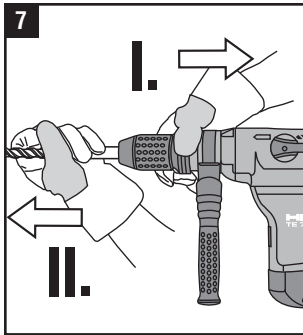
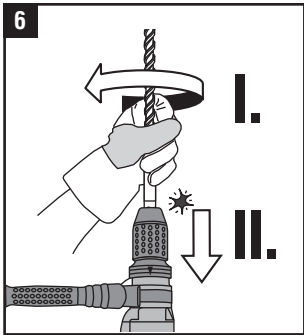
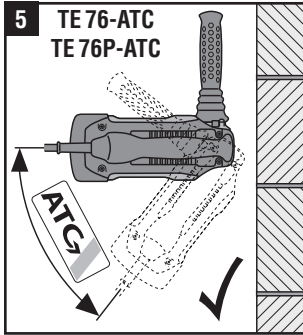
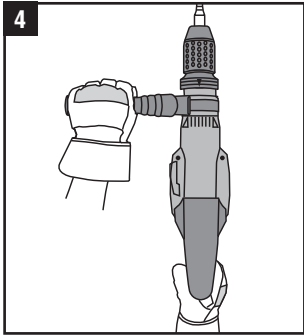
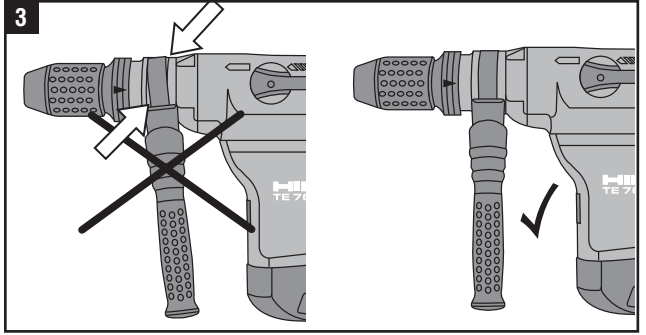
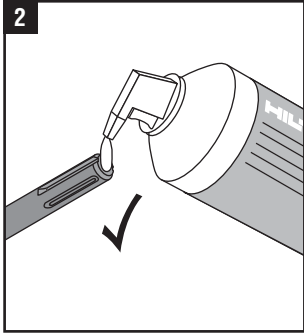
Manual de instruções

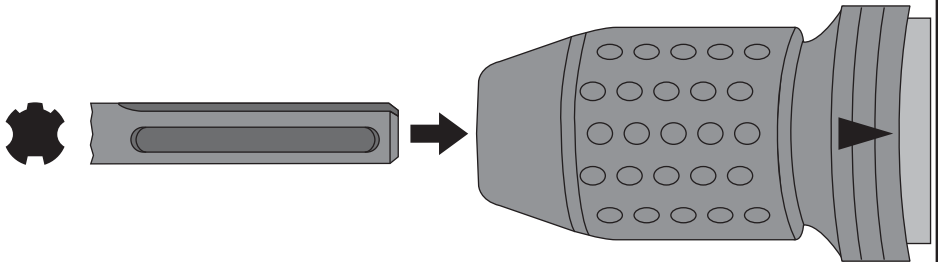
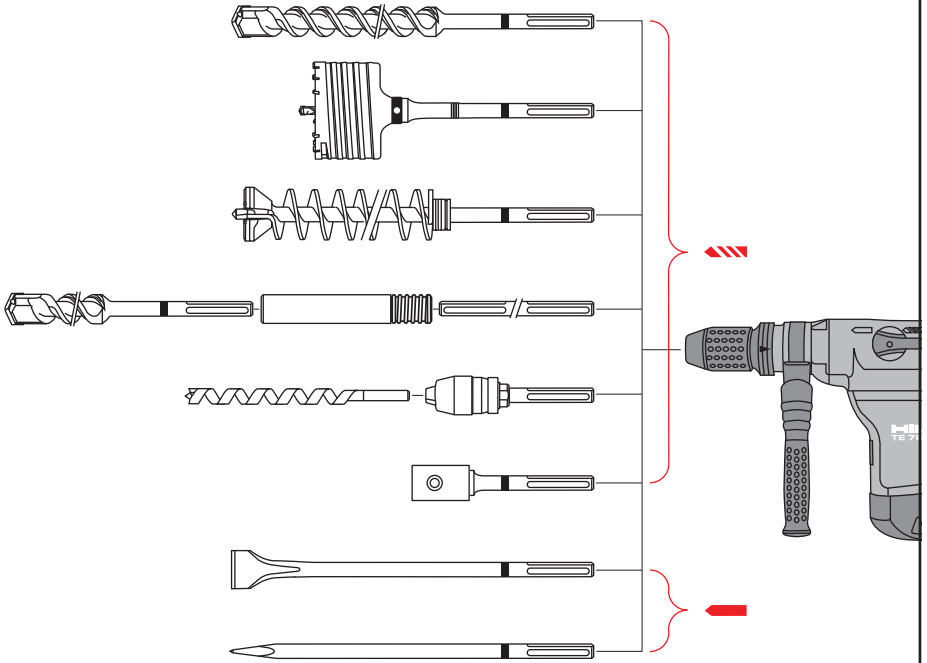
pt



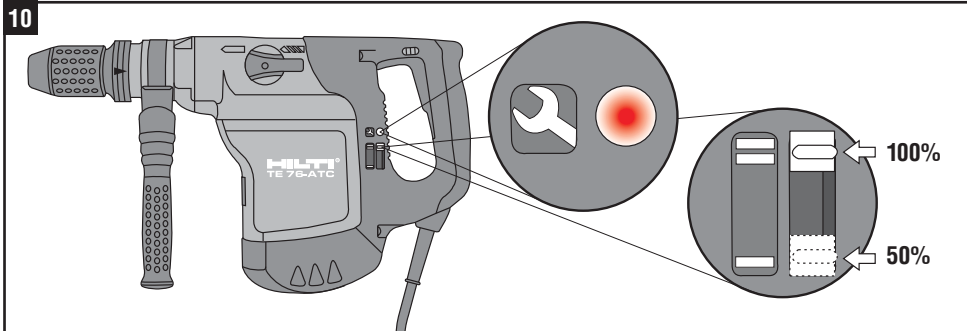
1



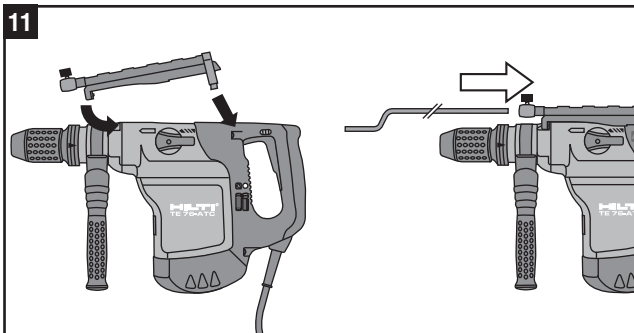




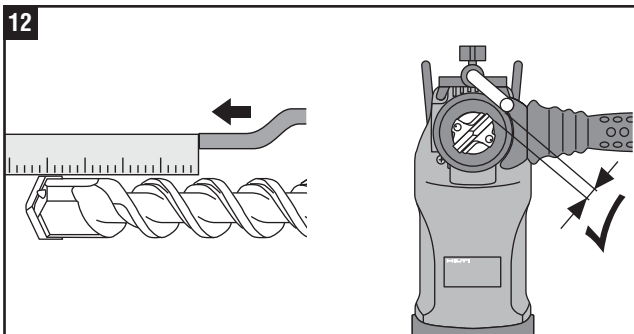
10



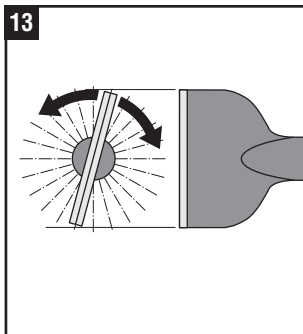
11



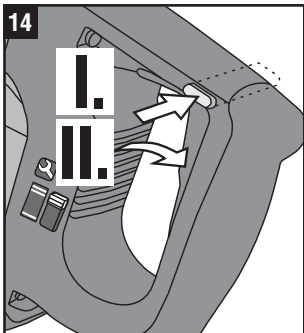
12



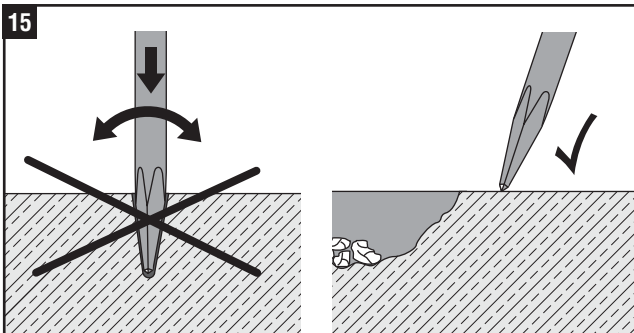
13



14



15



This Product is Listed
Ce produit est homologué
Producto homologado por
Este producto está registrado



Protective
grounding

Mise à la terre de
protection

Conexión a tierra

Aterramento de
proteção



Always wear
safety glasses

Porter des lunettes
de protection.

Gafas de seguridad

Use sempre óculos
de segurança



Always wear
protective gloves

Porter des gants
de sécurité.

Guantes de seguridad

Use sempre luvas
de proteção



Always wear ear
protectors

Porter un casque
antibruit.

Protección
auditiva

Use sempre fones
de proteção para
os ouvidos



Wear respiratory
protection when
the work causes
dust


Pour les travaux pro-
duisant de la pous-
sière, porter un mas-
que respiratoire.
Protección respi-
ratoria en trabajos
que produzcan
polvo

Use máscaras
respiratórias para
se proteger da
poeira

It is essential that the operating instructions are read before the tool is operated for the first time.

Always keep these operating instructions together with the tool.

Ensure that the operating instructions are with the tool when it is given to other persons.

 In these operating instructions, this symbol indicates points of particular importance to safety. The instructions at these points must always be followed in order to reduce the risk of serious injury.

 **Caution: Electrical**

In this operating instruction, this symbol warns of hazards as a result of electrical current. The instructions at these points must always be followed in order to reduce the risk of serious injury or damages to property.

1 The numbers refer to the illustrations. The illustrations can be found on the fold-out cover pages. Keep these pages open while you read the operating instructions.

In these operating instructions, the power tool to which these operating instructions apply is referred to as “the tool”.

Operating controls **1**

- 1** Chuck locking sleeve
- 2** Function selector switch
- 3** Power selector switch
- 4** Control switch
- 5** Switch lock for chiseling

Tool components **1**

- 6** Dust shield
- 7** Chuck
- 8** Side handle
- 9** Service indicator
- 10** Grip
- 11** Hammering mechanism / gearing
- 12** Motor
- 13** Type plate
- 14** Theft protection indicator
(option TE 76P / TE 76P-ATC)
- 15** Lock symbol

Contents	Page
General safety rules	2
Specific safety rules and symbols	3
Description	3
Preparation for use	5
Operation	5
Care and maintenance	7
Insert tools and accessories	7
Manufacturer's warranty – tools	7
Disposal	8
Trouble shooting	9

General safety rules

Warning! Read and understand all instructions. Failure to follow all instructions listed below, may result in electric shock, fire and/or serious personal injury.

SAVE THESE INSTRUCTIONS

1. Work area

Keep your work area clean and well lit. Cluttered benches and dark areas invite accidents.


Do not operate power tools in explosive atmospheres, such as in the presence of flammable liquids, gases, or dust. Power tools create sparks which may ignite the dust or fumes.

Keep bystanders, children, and visitors away while operating a power tool. Distractions can cause you to lose control.

2. Electrical safety

Grounded tools must be plugged into an outlet properly installed and grounded in accordance with all codes and ordinances. Never remove the grounding prong or modify the plug in any way. Do not use any adaptor plugs. Check with a qualified electrician if you are in doubt as to whether the outlet is properly grounded. If the tools should electrically malfunction or break down, grounding provides a low resistance path to carry electricity away from the user.

Applicable only to Class I (grounded) tools.

Double Insulated tools are equipped with a polarized plug (one blade is wider than the other.) This plug will fit in a polarized outlet only one way. If the plug does not fit fully in the outlet, reverse the plug. If it still does not fit, contact a qualified electrician to install a polarized outlet. Do not change the plug in any way. Double Insulation  eliminates the need for the three wire grounded power cord and grounded power supply system.

Applicable only to Class II tools.

Avoid body contact with grounded surfaces such as pipes, radiators, ranges and refrigerators. There is an increased risk of electric shock if your body is grounded.

Don't expose power tools to rain or wet conditions. Water entering a power tool will increase the risk of electric shock.

Do not abuse the cord. Never use the cord to carry the tools or pull the plug from an outlet. Keep cord away from heat, oil, sharp edges or moving parts. Replace damaged cords immediately. Damaged cords increase the risk of electric shock.

When operating a power tool outside, use an outdoor extension cord marked "W-A" or "W". These cords are rated for outdoor use and reduce the risk of electric shock.

3. Personal safety

Stay alert, watch what you are doing and use common sense when operating a power tool. Do not use tool while tired or under the influence of drugs, alcohol, or medication. A moment of inattention while operating power tools may result in serious personal injury.

Dress properly. Do not wear loose clothing or jewelry. Contain long hair. Keep your hair, clothing, and gloves away from moving parts. Loose clothes, jewelry, or long hair can be caught in moving parts.

Avoid accidental starting. Be sure the switch is off before plugging in. Carrying tools with your finger on the switch or plugging in tools that have the switch on invites accidents.

Remove adjusting keys or wrenches before turning the tool on. A wrench or a key that is left attached to a rotating part of the tool may result in personal injury.

Do not overreach. Keep proper footing and balance at all times. Proper footing and balance enables better control of the tool in unexpected situations.

Use safety equipment. Always wear eye protection. Dust mask, non-skid safety shoes, hard hat, or hearing protection must be used for appropriate conditions.



4. Tool use and care

Use clamps or other practical way to secure and support the workpiece to a stable platform. Holding the work by hand or against your body is unstable and may lead to loss of control.

Do not force tool. Use the correct tool for your application. The correct tool will do the job better and safer at the rate for which it is designed.

Do not use tool if switch does not turn it on or off. Any tool that cannot be controlled with the switch is dangerous and must be repaired.

Disconnect the plug from the power source before making any adjustments, changing accessories, or storing the tool. Such preventive safety measures reduce the risk of starting the tool accidentally.

Store idle tools out of reach of children and other untrained persons. Tools are dangerous in the hands of untrained users.

Maintain tools with care. Keep cutting tools sharp and clean. Properly maintained tools with sharp cutting edges are less likely to bind and are easier to control.

Check for misalignment or binding of moving parts, breakage of parts, and any other condition that may affect the tools operation. If damaged, have the tool serviced before using. Many accidents are caused by poorly maintained tools.



Use only accessories that are recommended by the manufacturer for your model. Accessories that may be suitable for one tool, may become hazardous when used on another tool.

5. Service

Tool service must be performed only by qualified repair personnel. Service or maintenance performed by unqualified personnel could result in a risk of injury.

When servicing a tool, use only identical replacement parts. Follow instructions in the Maintenance section of this manual. Use of unauthorized parts or failure to follow maintenance instructions may create a risk of electric shock or injury.

Symbols used on the tool:

V	volts
~	alternating current
Hz	hertz
W	watts
A	amperes
n_0	no load speed
n	speed under normal load
/min	revolutions per minute
	diameter
	protective grounding



Specific safety rules and symbols

Hold tool by insulated gripping surfaces when performing an operation where the cutting tool may contact hidden wiring or its own cord. Contact with a "live" wire will make exposed metal parts of the tool "live" and shock the operator.

Wear ear protectors when using the tool for extended periods. Prolonged exposure to high intensity noise can cause hearing loss.



Use the tool only for purposes for which it is designed. Failure to do so may result in electric shock, damages to property and/or serious personal injury.

Always hold tool in both hands when it is in use. Always use the side handle. Ensure that the side handle is fitted correctly and tightened securely . Hold the side handle at its outer end  when drilling and pay attention at all times. The drill bit may become stuck anytime, which may result in the tool twisting if it is not properly held.

Unplug tool immediately if supply cord becomes damaged during working. Have supply cord replaced by a qualified electrician. Damaged supply cords present a risk of fire and/or electric shock.

Never operate the tool when it is dirty or wet. Dirt/dust or dampness on the surface of the tool make it slippery and difficult to hold and may, under unfavourable conditions, present a risk of electric shock.

Ensure that the insert tools are equipped with the appropriate connection end for the chuck system in use and that they are locked in position correctly in the chuck. Inserting tools with a different connection end will result in malfunction and damage to the tool and may even cause injury by breaking parts. Incomplete insertion may result in insert tool falling out of chuck, causing damage or injury to persons.

Description

The TE 76 / TE 76P / TE 76-ATC / TE 76P-ATC is an electrically powered rotary hammer and breaker with pneumatic hammering mechanism designed for professional use.

The following items are supplied: power tool, operating instructions, grease (50 ml), cleaning cloth, toolbox.

See figure **1** and the explanations of operating controls and the tool components on page 1.



The following conditions must always be observed when the tool is in use:

- The tool must be connected to an alternating current electric supply in compliance with the information given on the type plate.
- The tool is for hand-held use only.
- The tool must not be used in places where the surrounding conditions may present a risk of explosion.

Technical data

	TE 76 / TE 76-ATC	TE 76P / TE 76P-ATC
Rated power	1300 W	1400 W
Nominal voltage	120 V	120 V
Nominal current input	13.0 A	13.9 A
Frequency	50–60 Hz	
Weight of tool	TE 76 / TE 76P	7.0 kg (15.0 lb)
	TE 76-ATC / TE 76P-ATC	7.9 kg (17.5 lb)
Dimensions (l×h×w)	TE 76 / TE 76P	
	497 x 261 x 115 mm (19.6 x 10.3 x 4.5 in)	
	TE 76-ATC / TE 76P-ATC	
	510 x 288 x 115 mm (19.6 x 10.3 x 4.5 in)	
Minimum distance between wall and hole drilled	1.5 in / 38 mm	
Speed	II = 0–282 I = 0–200 r.p.m.	
Typical drilling performance in medium-hard B35 concrete	¾" dia.:	14.2 in/min / 20 mm dia.: 360 mm/min
	1" dia.:	11.4 in/min / 25 mm dia.: 290 mm/min
	1¼" dia.:	7.1 in/min / 32 mm dia.: 180 mm/min
Typical chiselling performance in medium-hard B35 concrete	35.1 cu.in/min / 575 cm³/min	
TPS Theft Protection System with Company Card, Company Remote and TPS-K activation key	option TE 76P / TE 76P-ATC	

Main features of the tool

Electrical protection class I (grounded)
 Active Torque Control TE76-ATC / TE76P-ATC (additional operator protection in drilling mode)
 Mechanical torque-limiting clutch
 No-load hammering absorption
 Grip and side handle with vibration absorption
 Quick-change chuck
 TE-Y insert tool system
 Infinitely variable speed, with electronic regulation independent of load
 Selector switch for full power (II) and half power (I)
 Drilling and chiseling modes
 Control switch lockable in chiseling mode

24-way chisel position adjustment
 Gearing and hammering mechanism with oil lubrication
 Automatic cut-out carbon brushes
 Service indicator with light signal
 Pivotal side handle
 Depth gauge attachment (optional)

Theft protection system (option TE 76P / TE 76P-ATC)

The tool may be equipped with the optional theft protection system. If the tool is equipped with this feature, it can be activated and made ready for operation only by way of the corresponding activation key.

Right of technical changes reserved

The tool is designed for the following uses:

Use	Required insert tools	Working range
Drilling in concrete, masonry and natural stones	Drill bit with TE-Y connection end – Hammer drill bits – Breach bits – Percussion core bits	Drilling range in concrete ½" – 1 ⁹ / ₁₆ " dia. / 12– 40 mm dia. 1½" – 3 ⁷ / ₈ " dia. / 40– 80 mm dia. 1¾" – 6" dia. / 45–150 mm dia.
Chiseling in concrete, masonry and natural stone	Pointed, flat and shaped chisels with TE-Y connection ends	Surface finishing and breaches
Setting anchors	Setting tools with TE-Y connection ends	All Hilti anchors with TE-Y setting tools
Drilling in wood and metal	Chuck holder, item 263359 Keyless chuck, item 60208	Wood drill bits, ⅜" – 1¼" dia. / 10–32 dia. Metal drill bits, ⅜" – ¾" dia. / 10–20 dia.
	Wood drill bits and metal drill bits with smooth or hex. shank	
Mixing non-flammable materials, e.g. grout	Chuck holder, item 263359 Keyless chuck, item 60208 Mixing tools with smooth or hex. shank	Mixing tools, ⅜" – 6" dia. / 80–150 mm dia.

Preparation for use



It is essential that the safety precautions printed in these operating instructions are read and observed.



The supply voltage must correspond to the information on the type plate.



If extension cords are used: Only extension cords of a type approved for the intended use and of adequate cross section may be used. Failure to observe this point may result in reduced performance of the tool and overheating of the cord. Damaged extension cords must be replaced. The recommended cross-sections and max. length for extension cords are:

Mains voltage	Conductor cross-section					
	mm ²				AWG	
	1.5	2.0	2.5	3.5	14	12
100 V	20 m	30 m	40 m	50 m	–	–
110–120 V	30 m	40 m	50 m	50 m	100 ft	150 ft
220–240 V	50 m	75 m	100 m	125 m	–	–

Do not use 1.25 mm² and 16 AWG extension cords.

Use only insert tools with TE-Y connection end.

Don't exert excessive pressure on the tool. This will not increase its hammering power.

At low temperatures: The tool requires to reach a minimum operating temperature before the hammering mechanism begins to operate. Switch on the tool and position the tip of the drill bit or chisel on the work surface. While the tool is running, apply light pressure briefly and repeatedly until the hammering mechanism begins to operate.

Operation

Operating from generators and transformers

This tool can be used on a generator and jobsite transformers if it meets the following requirements:

- AC output 2600 W minimum; 24 A minimum
- 120 V AC nominal; min. 102 V, max. 132 V under all conditions
- frequency 50–60 Hz; never to exceed 65 Hz
- high dynamic automatic voltage regulator



Do not use other power tools on the generator/transformer at the same time. Switching other tools on/off can cause undervoltage and/or overvoltage spikes which could damage the tool.

Inserting the insert tool



- Unplug the supply cord from the electrical socket to prevent unintentional starting.
- Check that the connection end of the insert tool is clean and lightly greased. Clean it and grease it if nec-

essary. Check that the sealing lip of the dust shield is clean. Wipe it off if necessary. Take care to ensure that no drilling dust finds its way into the interior of the chuck. The dust shield must be replaced when the sealing lip is damaged. Please refer to the section on "care and maintenance".

- Insert the insert tool in the chuck and rotate it while applying slight pressure until it engages in the guide grooves.
- Push the insert tool in further until it is heard to engage. Check that the insert tool has engaged correctly by pulling on it.

Removing the insert tool

- Unplug the supply cord from the electrical socket to prevent unintentional starting.
- Pull back the chuck locking sleeve and pull out the insert tool.



Wear protective gloves. The insert tool may be very hot after long periods of use.

Drilling

Operation

Activating the tool (theft protection system)

(Optional – not available with all versions.)



Further detailed information about activation and use of this optional feature can be found in the separate operating instructions for the theft protection system.

- Plug the supply cord into the power outlet. The yellow theft protection indicator lamp blinks. The tool is now ready to receive the signal from the activation key.
- Hold the activation key close to the lock symbol on the tool. The tool is activated as soon as the theft protection indicator lamp no longer lights.

-NOTE-

In the event of interruption of the electric supply to the tool, e.g. brief disconnection to move to a different workplace, the tool remains operational for approx. 20 minutes. After a longer interruption, the tool must be reactivated by way of the activation key.

Hammer drilling

- Insert drill bit into the chuck.
- Move the selector switch to the hammer drilling position () until it engages.
- Select the desired drilling power (II = full power, I = half power). When drilling in brittle materials (e.g. perforated brick), drilling at the half-power setting can be of advantage. This may improve the quality of the hole drilled.

- d) Rotate side handle to the desired position. Ensure that it is fitted correctly and tightened securely **3**.
- e) Connect the supply cord to the power supply.
- f) Bring the tip of the drill bit into contact with the work surface at the position where the hole is to be drilled and press the control switch slowly. Drill at low speed until the drill bit centers itself in the hole.
- g) Press the control switch fully and continue drilling at full power. When drilling a through hole, reduce drilling speed shortly before the drill bit breaks through. This will reduce spalling around the hole.

Active Torque Control (TE76-ATC / TE76P-ATC)

The TE76-ATC / TE76P-ATC is equipped with the **Active Torque Control** system in addition to the mechanical torque limiting clutch. This system aids in maintaining control of the tool in the drilling mode. If the drill bit catches, e.g. on rebar, ATC is designed to help stop the tool, reducing the risk of an unwanted spin.

When the ATC system has activated, the tool can be restarted by releasing the control switch and re-engaging it after the the motor has stopped rotating ("click"-sound signals readiness for use).

Always choose a working position in which the tool is free to rotate **5** in a counter-clockwise direction (as seen by the operator). If this is not possible, the ATC system cannot react.

Drilling using the depth gauge (accessory)


We recommend the use of the depth gauge for drilling holes to the exact depth required. The depth gauge rod is offset in order to reduce deviations caused by tilting the tool and to make it easier to adjust the drilling depth **12**.

Assembly **11**: Position the depth gauge on the top side of the power tool so that the two positioning lugs engage in the depressions for the flange screws. Press the depth gauge on to the tool until the two rear retaining lugs engage in the tool casing. Insert the depth gauge rod into the depth gauge from the front, with the offset end towards the front of the tool.

Adjusting drilling depth **12**: Slide the depth gauge rod to the required drilling depth. Adjust the front end of the depth gauge rod until it is approx. 10 mm ($\frac{3}{8}$ ") from the drill bit and then tighten the locking screw.

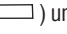
After use, remove the depth gauge and store it in the toolbox.


Drilling without hammering action


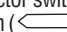
Drilling without hammering action is possible with insert tools with a special connection end. Insert tools of this kind are available in the Hilti insert tool program. Wood drill bits or steel drill bits with smooth shank can be fitted, for example, in the keyless chuck and used for drilling without hammering action. The function selector switch must be engaged in the hammer drilling position ().

Chiseling

The chisel can be adjusted to 24 different positions. This makes it possible to work with the cutting edge of flat and shaped chisels at the optimum angle.

- a) Insert the chisel into the chuck.
- b) Move the function selector switch to the center position **8**.
- c) Select the position of the chisel (angle of the cutting edge) by rotating the chuck **13**. Move the function selector switch to the chiseling position () until it engages **8**.
- d) Select the desired chiseling power (II = full power, I = half power) **10**. Working at the half-power setting can be of advantage when chiseling brittle materials (e.g. perforated brick) and when using bushing tools for surface finishing.
- e) Rotate side handle to the desired position. Ensure that it is fitted correctly and tightened securely **3**. For surface finishing work, you may also hold the tool at the chuck gripping section.
- f) Connect the supply cord to the power supply.
- g) Bring the point of the chisel into contact with the work surface at the desired position. Press the control switch slowly to enable precise starting and to prevent the chisel slipping.
- h) Press the control switch fully to chisel at full power.
- i) If desired, the control switch can be locked in position when the tool is operated in chiseling mode **14**. To do so, push the red sliding switch located in the grip above the control switch to the right, then press the control switch fully. The tool is now in constant-on operating mode. Always switch the tool off by pushing the red sliding switch to the left, to its original position.

 If you do not intend to chisel in constant-on mode, always push the red sliding switch located above the control switch to the left position. Otherwise, the control switch could unintentionally be locked in the constant-on position when chiseling.

 Never operate the function selector switch **8** while the motor is running. When chiseling, the selector switch must always be engaged in the chiseling position ().

When chiseling, never allow the chisel to penetrate the base material at a constant angle. This may cause the chisel to become stuck. Never use the chisel as a crowbar to break out material by applying force to it. This may cause damage to the tool. Maximum removal performance will be achieved when the chisel is guided at a steep angle, working from the edge towards the lowest point **15**.

Care and maintenance

Care

The outer casing of the tool is made from impact-resistant plastic. Grip sections, the dust shield and the supply cord protective sleeve are made from an elastomer material.



Clean the outside of the tool at regular intervals using a slightly damp cloth. Don't use a spray, steam pressure cleaning equipment or running water for cleaning. This may negatively affect the electrical safety of the tool. Always keep the grip surfaces of the tool free from oil and grease. Don't use cleaning agents which contain silicone.



Never operate the tool when the ventilation slots are blocked. Clean the ventilation slots carefully using a dry brush. Don't permit foreign objects to enter the interior of the tool.

Clean the dust shield on the chuck at regular intervals using a clean, dry cloth. Carefully wipe the sealing lip and grease it with a little Hilti grease. **It is essential that the dust shield is replaced when the sealing lip is damaged.** Proceed as follows: Insert a screwdriver at the edge of the dust shield and lift it out in a forwards direction. Clean the contact surface and insert a new dust shield. Press it in firmly until it engages.

Also take care of your insert tools. Clean off dirt and dust deposits and protect your insert tools from corrosion by wiping them from time to time with an oil-soaked rag. Always keep the connection end clean and lightly greased.

Maintenance, Service Indicator



Regularly check all external parts of the tool for damage and that all controls operate faultlessly. Don't operate the tool when parts are damaged or when the controls do not function faultlessly. Have your tool repaired by a Hilti service center.

The tool is equipped with a service indicator **10**.

When the indicator lights: The carbon brushes have reached the end of their life. The tool can be operated for approx. 8 hours more after the service indicator light comes on, until the automatic cut-out will be activated. Take the tool to a Hilti service center for planned routine maintenance when the service indicator light illuminates.

When the indicator flashes: An electrical fault has occurred. The tool has been switched off automatically. Have your tool repaired by a Hilti service center.

Insert tools and accessories

Use only insert tools with TE-Y connection end **9**.

Hilti power tools have been designed to work optimally as a system together with Hilti insert tools. Accordingly, highest performance and longest life expectancy can be achieved when you use this power tool with Hilti insert tools. A comprehensive program of insert tools and accessories is available for the TE-Y system **9**. The most important insert tools for hammer drilling and chiseling are shown on the inside of the toolbox. Details of the entire program can be found in the current Hilti product catalog.

Should you require insert tools not included in the standard program, please contact the Hilti customer service department or your Hilti sales representative. Hilti offers a comprehensive range of special insert tools in professional quality.



Check your insert tools at regular intervals and replace them in good time. A damaged or badly worn connection end may result in damage to the power tool. Drill bits with chipped or broken carbide tips may no longer drill holes of the specified diameter, thus influencing their suitability for anchor fastenings.

You can sharpen Hilti high quality chisels yourself very easily. Your Hilti sales representative will be pleased to provide instructions.

Please observe the instructions on care and maintenance of your insert tools given in the care and maintenance section.

Manufacturer's warranty – tools

Hilti warrants that the tool supplied is free of defects in material and workmanship. This warranty is valid so long as the tool is operated and handled correctly, cleaned and serviced properly and in accordance with the Hilti Operating Instructions, and the technical system is maintained. This means that only original Hilti consumables, components and spare parts may be used in the tool.

This warranty provides the free-of-charge repair or replacement of defective parts only over the entire lifespan of the tool. Parts requiring repair or replacement as a result of normal wear and tear are not covered by this warranty.

Additional claims are excluded, unless stringent national rules prohibit such exclusion. In particular, Hilti is not obligated for direct, indirect, incidental or consequential damages, losses or expenses in connection with, or by reason of, the use of, or inability

ity to use the tool for any purpose. Implied warranties of merchantability or fitness for a particular purpose are specifically excluded.

For repair or replacement, send tool or related parts immediately upon discovery of the defect to the address of the local Hilti marketing organization provided.

This constitutes Hilti's entire obligation with regard to warranty and supersedes all prior or contemporaneous comments and oral or written agreements concerning warranties.

Disposal



Most of the materials from which Hilti power tools are manufactured can be recycled. The materials must be correctly separated before they can be recycled. In many countries, Hilti has already made arrangements for taking back your old electric tools for recycling. Please ask your Hilti customer service department or Hilti sales representative for further information.

Should you wish to return the electric tool yourself to a disposal facility for recycling, proceed as follows: Dismantle the tool as far as possible without the need for special tools. Use absorbent paper to wipe lubricated parts clean and to collect the oil that runs out (total quantity approx. 3 cu.inches). This paper should also be disposed of correctly. **On no account should oil be allowed to enter the waste water system or to find its way into the ground.**

The individual parts should be separated as follows:

Part / assembly	Main material	Recycling
Toolbox	Plastic	Plastic
Outer casing	Plastic	Plastic
Inner casing	Magnesium alloy	Scrap metal
Grip, side handle	Plastic	Plastic
Electronics box	Various	Electronic scrap or metal scrap
Motor housing	Plastic	Plastic
Motor end cap	Plastic with steel part	Scrap metal
Fan	Plastic	Plastic
Motor (rotor and stator)	Steel and copper	Scrap metal
Supply cord	Copper, elastomer sheath	Scrap metal
Gearing parts, hammering mechanism parts	Steel	Scrap metal
Con-rod and drive piston	Plastic	Plastic
Screws, small parts	Steel	Scrap metal


Trouble shooting

Symptom	Possible cause	Possible solution
Tool doesn't start	Fault in the electric power supply	Plug in another electric tool and check whether it starts
	Defective supply cord or plug	Have it checked by an electrical specialist and replace if necessary
	Switch defective	Have it checked by an electrical specialist and replace if necessary
The tool doesn't start and the indicator lamp blinks yellow.	The tool has not been activated (tools with optional theft protection system).	Use the activation key to activate the tool.
No hammering action	Tool is too cold	Allow tool to reach the minimum operating temperature See section "Preparation for use"
Tool doesn't produce full power	Wire gauge of extension cord is inadequate	Use an extension cord of adequate cross-sectional area. See section "Preparation for use"
	Power selector switch is set to position I	Move the power selector switch to position II 10
	Control switch is not pressed fully	Press the control switch as far as it will go
Drill bit doesn't rotate	Function selector switch is not locked in the drilling position ()	Move the function selector switch (when the motor has stopped) to the drilling position () 3
Drill bit cannot be released from the chuck	Chuck locking sleeve is not pulled back fully	Pull the chuck locking sleeve back as far as it will go and pull out the insert tool
	Side handle is not fitted correctly	Release the side handle and fit it correctly so that the clamping band and side handle are positioned correctly in the locating groove 3

Avant de mettre en marche l'appareil, lire absolument le mode d'emploi.

Le présent mode d'emploi doit toujours accompagner l'appareil.

Ne prêter ou céder l'appareil à quelqu'un d'autre qu'en lui fournissant aussi le mode d'emploi.

 Les symboles utilisés dans le présent mode d'emploi caractérisent des consignes particulièrement importantes pour la sécurité. Toujours suivre ces consignes pour éviter tous risques de blessures graves.



MISE EN GARDE (danger électrique)

Ce symbole met en garde contre tous risques dus au courant électrique lors de l'utilisation de l'appareil. Il signale une situation dangereuse. Il est toujours absolument nécessaire de bien suivre le comportement illustré après ce symbole pour éviter toutes blessures graves ou tous dommages matériels.

■ Les chiffres renvoient à des illustrations. Les illustrations correspondant au texte se trouvent sur les pages rabattables précédentes. Pour lire le mode d'emploi, rabattre ces pages de manière à voir les illustrations.

Dans le texte du présent mode d'emploi, le terme «appareil» désigne toujours le TE 76

Principaux éléments de l'appareil **■**

- 1** Douille de verrouillage de l'outil
- 2** Sélecteur de fonction
- 3** Sélecteur de puissance
- 4** Interrupteur de commande
- 5** Curseur de blocage de l'interrupteur pour buriner

Autres éléments **■**

- 6** Capuchon pare-poussière
- 7** Mandrin
- 8** Poignée latérale
- 9** Indicateur de maintenance
- 10** Poignée principale
- 11** Mécanisme de percussion/engrenage
- 12** Moteur
- 13** Plaquette signalétique
- 14** Indicateur de protection contre le vol
(en option TE 76P / TE 76P-ATC)
- 15** Symbole verrou

Sommaire	Page
Règles générales de sécurité	12
Règles de sécurité particulières et symboles	13
Description	13
Caractéristiques techniques	14
Consignes de mise en marche	15
Utilisation	15
Nettoyage et entretien	17
Outils et accessoires	18
Garantie constructeur des appareils	18
Élimination	19
Guide de dépannage	19

Règles générales de sécurité

Avertissement! Vous devez lire et comprendre toutes les instructions. Le non-respect, même partiel, des instructions ci-après entraîne un risque de choc électrique, d'incendie et/ou de blessures graves.

CONSERVEZ CES INSTRUCTIONS!

1. Aire de travail

Veillez à ce que l'aire de travail soit propre et bien éclairée. Le désordre et le manque de lumière favorisent les accidents.

N'utilisez pas d'outils électriques dans une atmosphère explosive, par exemple en présence de liquides, de gaz ou de poussières inflammables. Les outils électriques créent des étincelles qui pourraient enflammer les poussières ou les vapeurs.

Tenez à distance les curieux, les enfants et les visiteurs pendant que vous travaillez avec un outil électrique. Ils pourraient vous distraire et vous faire faire une fausse manoeuvre.

2. Sécurité électrique

Les outils mis à la terre doivent être branchés dans une prise de courant correctement installée et mise à la terre conformément à tous les codes et règlements pertinents. Ne modifiez jamais la fiche de quelque façon que ce soit, par exemple en enlevant la broche de mise à la terre. N'utilisez pas d'adaptateur de fiche. Si vous n'êtes pas certain que la prise de courant est correctement mise à la terre, adressez-vous à un électricien qualifié. En cas de défaillance ou de défectuosité électrique de l'outil, une mise à la terre offre un trajet de faible résistance à l'électricité qui autrement risquerait de traverser l'utilisateur.

S'applique aux outils de classe I (mis à la terre) seulement.

Les outils à double isolation sont équipés d'une fiche polarisée (une des lames est plus large que l'autre), qui ne peut se brancher que d'une seule façon dans une prise polarisée. Si la fiche n'entre pas parfaitement dans la prise, inversez sa position; si elle n'entre toujours pas bien, demandez à un électricien qualifié d'installer une prise de courant polarisée. Ne modifiez pas la fiche de l'outil. La double isolation élimine le besoin d'un cordon d'alimentation à trois fils avec mise à la terre ainsi que d'une prise de courant mise à la terre.

S'applique aux outils de classe II seulement.

Évitez tout contact corporel avec des surfaces mises à la terre (tuyauteries, radiateurs, cuisinières, réfrigérateurs, etc.). Le risque de choc électrique est plus grand si votre corps est en contact avec la terre.

N'exposez pas les outils électriques à la pluie ou à l'eau. La présence d'eau dans un outil électrique augmente le risque de choc électrique.

Ne maltraitez pas le cordon. Ne transportez pas l'outil par son cordon et ne débranchez pas la fiche en tirant sur le cordon. N'exposez pas le cordon à la chaleur, à des huiles, à des arêtes vives ou à des pièces en mouvement. Remplacez immédiatement un cordon endommagé. Un cordon endommagé augmente le risque de choc électrique.

Lorsque vous utilisez un outil électrique à l'extérieur, employez un prolongateur pour l'extérieur marqué «W-A» ou «W». Ces cordons sont faits pour être utilisés à l'extérieur et réduisent le risque de choc électrique.

3. Sécurité des personnes

Restez alerte, concentrez-vous sur votre travail et faites preuve de jugement. N'utilisez pas un outil électrique si vous êtes fatigué ou sous l'influence de drogues, d'alcool ou de médicaments. Un instant d'inattention suffit pour entraîner des blessures graves.

Habilitez-vous convenablement. Ne portez ni vêtements flottants ni bijoux. Confinez les cheveux longs. N'approchez jamais les cheveux, les vêtements ou les gants des pièces en mouvement. Des vêtements flottants, des bijoux ou des cheveux longs risquent d'être happés par des pièces en mouvement.

Évitez tout démarrage involontaire. Avant de brancher l'appareil, vérifiez que l'interrupteur est bien en position arrêt. Ne portez pas d'appareil en ayant le doigt placé sur l'interrupteur et ne branchez pas l'appareil avec l'interrupteur en position «marche» (risques d'accidents).

Enlevez les clés de réglage ou de serrage avant de démarrer l'outil. Une clé laissée dans une pièce tournante de l'outil peut provoquer des blessures.

Ne vous penchez pas trop en avant. Maintenez un bon appui et restez en équilibre en tout temps. Une bonne stabilité vous permet de mieux réagir à une situation inattendue.

Utilisez des accessoires de sécurité. Portez toujours des lunettes ou une visière.

Selon les conditions, portez aussi un masque antipoussière, des bottes de sécurité antidérapantes, un casque protecteur et/ou un appareil antibruit.



4. Utilisation et entretien des outils

Immobilisez le matériau sur une surface stable au moyen de brides ou de toute autre façon adéquate. Le fait de tenir la pièce avec la main ou contre votre corps offre une stabilité insuffisante et peut amener un dérapage de l'outil.

Ne forcez pas l'outil. Utilisez l'outil approprié à la tâche. L'outil correct fonctionne mieux et de façon plus sécuritaire. Respectez aussi la vitesse de travail qui lui est propre.

N'utilisez pas un outil si son interrupteur est bloqué. Un outil que vous ne pouvez pas commander par son interrupteur est dangereux et doit être réparé.

Débranchez la fiche de l'outil avant d'effectuer un réglage, de changer d'accessoire ou de ranger l'outil. De telles mesures préventives de sécurité réduisent le risque de démarrage accidentel de l'outil.

Rangez les outils hors de la portée des enfants et d'autres personnes inexpérimentées. Les outils sont dangereux dans les mains d'utilisateurs novices.

Prenez soin de bien entretenir les outils. Les outils de coupe doivent être toujours bien affûtés et propres. Des outils bien entretenus, dont les arêtes sont bien tranchantes, sont moins susceptibles de coincer et plus faciles à diriger.

Soyez attentif à tout désalignement ou coincement des pièces en mouvement, à tout bris ou à toute autre condition préjudiciable au bon fonctionnement de l'outil. Si vous constatez qu'un outil est endommagé, faites-le réparer avant de vous en servir. De nombreux accidents sont causés par des outils en mauvais état.

N'utilisez que des accessoires que le fabricant recommande pour votre modèle d'outil. Certains accessoires peuvent convenir à un outil, mais être dangereux avec un autre.

5. Réparation

La réparation des outils électriques doit être confiée à un réparateur qualifié. L'entretien ou la réparation d'un outil électrique par un amateur peut avoir des conséquences graves.

Pour la réparation d'un outil, n'employez que des pièces de rechange d'origine. Suivez les directives données à la section «Réparation» de ce manuel. L'emploi de pièces non autorisées ou le non-respect des instructions d'entretien peut créer un risque de choc électrique ou de blessures.

Règles de sécurité particulières et symboles

Tenez l'outil par ses surfaces de prise isolées pendant toute opération où l'outil de coupe pourrait venir en contact avec un câblage dissimulé ou avec son propre cordon. En cas de contact avec un conducteur sous tension, les pièces métalliques à découvert de l'outil transmettraient un choc électrique à l'utilisateur.

Portez un appareil antibruit si vous devez utiliser l'outil pendant une période prolongée. Une exposition prolongée à un bruit de forte intensité peut entraîner des lésions de l'ouïe.

Utilisez l'appareil uniquement pour les buts pour lesquels il est prévu. Vous risquez sinon de recevoir un choc électrique, d'abîmer le matériel et/ou de vous blesser gravement.



Tenez toujours l'appareil des deux mains lorsque vous l'utilisez. Utilisez toujours la poignée latérale. Assurez

vous que la poignée latérale est bien montée et bien serrée ❸. Pour percer, tenez bien la poignée par son extrémité extérieure ❹ et restez toujours attentif. La mèche peut, à tout moment, se coincer de manière intempestive, ce qui peut faire tourner l'appareil si vous ne le tenez pas bien.

Si le cordon est abîmé au cours du travail, débranchez immédiatement l'appareil. Faites remplacer le cordon par un électricien qualifié. Tout cordon abîmé représente un risque d'incendie et/ou de choc électrique.

Ne faites jamais fonctionner l'appareil s'il est humide ou sale. Les saletés/la poussière ou l'humidité à la surface de l'appareil risquent de le rendre glissant et difficile à tenir et peuvent, dans des conditions défavorables, présenter un risque de choc électrique.

Assurez vous que les outils utilisés sont bien munis de l'emmanchement approprié, adapté au mandrin, et qu'ils sont correctement bloqués dans le mandrin.

Si vous utilisez des outils munis d'un autre emmanchement, ceci peut entraîner un dysfonctionnement, abîmer l'appareil et vous pouvez éventuellement vous blesser ou casser des pièces. Si l'outil n'est pas complètement inséré dans le mandrin, il peut tomber, risquant d'abîmer quelque chose ou de blesser quelqu'un.

Symboles utilisés sur l'appareil:

V	Volts
~	courant alternatif
Hz	Hertz
W	Watts
A	Ampères
n_0	vitesse à vide
n	vitesse en charge
/min	tours par minute
∅	diamètre
	mise à la terre

Description

Le TE 76 / TE 76P / TE 76-ATC / TE 76P-ATC est un marteau perforateur-burineur électroportatif muni d'un mécanisme de percussion pneumatique, destiné aux professionnels.

L'appareil est livré en coffret Hilti avec son mode d'emploi, 50 ml de graisse et une chamoisette.

Voir figure ❶ ainsi que la description des principaux éléments de l'appareil et des autres éléments, page 9.



Lors de l'utilisation de l'appareil, toujours bien respecter les conditions suivantes:

- faire fonctionner l'appareil sur le secteur à courant alternatif, conformément aux valeurs indiquées sur la plaquette signalétique,
- l'utiliser uniquement en le tenant des deux mains,
- ne pas l'utiliser dans une ambiance déflagrante.

Caractéristiques techniques

	TE 76 / TE 76-ATC	TE 76P / TE 76P-ATC
Puissance absorbée:	1300 W	1400 W
Tension:	120 V	120 V
Intensité absorbée:	13.0 A	13.9 A
Fréquence du secteur:	50–60 Hz	
Poids de l'appareil:	TE 76 / TE 76P TE 76-ATC / TE 76P-ATC	7,0 kg (15.0 lb) 7,9 kg (17.5 lb)
Encombrement (L x h x l):	TE 76/TE 76P 497x 261x 115 mm (19,6 x 10,3 x 4,5 in) TE 76-ATC/TE 76P-ATC 510 x 288 x 115 mm (19,6 x 10,3 x 4,5 in)	
Ecartement minimal du mur pour percer:	1.5 in / 38 mm	
Vitesses de rotation:	II = 0–282 I = 0–200 r.p.m.	
Rendement en forage caractéristique dans du béton de dureté moyenne B 35:	$\varnothing \frac{3}{4}$ " 14.2 in/min / \varnothing 20 mm: 360 mm/min \varnothing 1 " 11.4 in/min / \varnothing 25 mm: 290 mm/min \varnothing 1 $\frac{1}{4}$ " 7.1 in/min / \varnothing 32 mm: 180 mm/min	
Rendement en burinage caractéristique dans du béton de dureté moyenne B 35:	35.1 cu.in/min / 575 cm ³ /min	
Protection contre le vol TPS (Theft Protection System) avec Company Card, Company Remote et système de déconnexion TPS-K	En option TE 76P / TE 76P-ATC	

Principales caractéristiques de l'appareil

Classe de protection électrique I (mise à terre)
Active Torque Control TE76-ATC / TE76P-ATC
(protection supplémentaire de l'utilisateur lors des forages)

Limiteur de couple mécanique

Amortissement des à-coups à vide

Poignée principale et poignée latérale antivibratiles

Mandrin rapidement interchangeable

Système d'outils TE-Y

Variateur électronique de vitesse (réglage graduel de la vitesse de rotation indépendamment de la charge)

Sélection de la puissance: plein régime (II) ou semi-régime (I)

Modes de fonctionnement: forage et burinage

Interrupteur de commande blocable pour le burinage

Burin réglable selon 24 positions (angles différents)
Lubrification à l'huile de l'engrenage et du mécanisme de percussion

Charbons autodéclenchants

Indicateur de maintenance avec témoin lumineux

Poignée latérale orientable sur 360°, avec jauge de profondeur enfichable (en option)

Protection contre le vol

(en option TE 76P / TE 76P-ATC)

L'appareil peut être équipé en option de la fonction "Protection contre le vol". Si l'appareil est équipé avec cette fonction, il peut uniquement être débloqué et activé à l'aide de la clé de déblocage fournie.

Sous réserve de toutes modifications techniques!

L'appareil est prévu pour les applications suivantes:

Application	Outil nécessaire	Plage de travail
Perçages dans le béton, la maçonnerie et la pierre naturelle	Mèche(-couronne) à emmanchement TE-Y – mèche béton – gros foret – mèche-couronne à segmentations carbure	Plage de perçage dans le béton: Ø 1/2" – 1 9/16" / Ø 12– 40 mm Ø 1 1/2" – 3 3/8" / Ø 40– 80 mm Ø 1 3/4" – 6" / Ø 45–150 mm
Burinages dans le béton, la maçonnerie et la pierre naturelle	Burin pointu, burin plat, gouge, boucharde, etc., à emmanchement TE-Y	Travaux de finitions et de transpercements
Chevillages	Outil de pose à emmanchement TE-Y	Toutes chevilles Hilti avec outils de pose TE-Y
Perçages dans le bois et le métal	Porte-mandrin, code art. 263359 Mandrin autoserrant, code art. 60208 Mèche à bois et foret métaux à queue cylindrique ou à emmanchement hex.	Mèche à bois Ø 3/8" – 1 1/4" / Ø 10–32 mm Foret métaux Ø 3/8" – 3/4" / Ø 10–20 mm
Mélange de matières ininflammables (mortier p. ex.)	Porte-mandrin, code art. 263359 Mandrin autoserrant, code art. 60208 Agitateur à queue cylindrique ou à emmanchement hexagonal	Agitateur Ø 3 1/8" – 6" / Ø 80–150 mm

Consignes de mise en marche



Avant de mettre en marche l'appareil, lire absolument et bien suivre les consignes de sécurité qui figurent dans le présent mode d'emploi.



La tension du secteur doit correspondre à celle indiquée sur la plaquette signalétique



Si vous avez besoin de rallonges, n'utiliser que des câbles de section suffisante, agréés pour l'utilisation prévue, afin d'éviter toute perte de puissance dans l'appareil et toute surchauffe du câble. Si des rallonges sont abîmées, les remplacer.

Sections min. recommandées et longueurs max. de câbles:

Mains voltage	Sections de conducteur mm ²				AWG	
	1,5	2,0	2,5	3,5	14	12
100 V	20 m	30 m	40 m	50 m	–	–
110–120 V	30 m	40 m	50 m	50 m	100 ft	150 ft
220–240 V	50 m	75 m	100 m	125 m	–	–

Ne pas utiliser de rallonges 1,25 mm² et 16 AWG!

N'utiliser que des outils à emmanchement TE-Y.

Ne pas appuyer exagérément l'appareil contre le support; ceci n'augmente pas sa puissance de percussion.

Si la température extérieure est basse, l'appareil doit atteindre une température de fonctionnement minimale avant que le mécanisme de percussion ne commence à s'enclencher. Mettre en marche l'appareil, l'appuyer brièvement contre le support et le laisser tourner à vide. Le réappuyer ensuite contre le support jusqu'à ce que le mécanisme de percussion s'enclenche.

Utilisation

Utilisation à partir d'un générateur ou d'un transformateur

Cet appareil peut être utilisé sur un générateur ou un transformateur de chantier s'il répond aux conditions suivantes:

- courant alternatif, sortie 2600 W minimum; 24 A min.
- 120 V courant alternatif nominal; 102 V min., 132 V max. dans toutes les conditions
- fréquence 50–60 Hz; ne jamais dépasser 65 Hz
- régulateur de tension automatique haute dynamique







N'utilisez pas d'autres appareils électriques en même temps sur le même générateur ou transformateur. Le branchement ou le débranchement d'autres appareils risque de causer une sous-tension et/ou des pointes de surtension qui risqueraient d'abîmer l'appareil.

Mise en place de l'outil



- Pour éviter tout démarrage intempestif de l'appareil, le débrancher.
- Vérifier si l'emmanchement de l'outil est bien propre et légèrement graissé. Le nettoyer et le graisser **2** si nécessaire. Vérifier si le joint du capuchon pare-poussière est propre; l'essuyer, si besoin est. Veiller à ce qu'aucune poussière de forage ne pénètre à l'intérieur du mandrin. Si le joint est abîmé, remplacer absolument le capuchon pare-poussière. Voir le paragraphe «Nettoyage et entretien».
- Emmancher l'outil dans le mandrin et le tourner en appuyant légèrement jusqu'à ce qu'il se verrouille bien dans les gorges de guidage **6**.
- Enfoncer l'outil dans le mandrin jusqu'à ce qu'il se verrouille bien (déclat audible). Tirer sur l'outil pour vérifier qu'il est bien verrouillé **6**.

Enlèvement de l'outil

- a)  Pour éviter tout démarrage intempestif de l'appareil, le débrancher.
- b) Tirer la douille de verrouillage en arrière et enlever l'outil.    Utiliser des gants de protection. S'il a été utilisé longtemps, l'outil peut être très chaud.

Perçages

Fonctionnement

Débloccage de l'appareil (protection contre le vol)

(En option – n'est pas disponible pour tous les modèles)



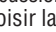
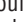


Vous trouverez de plus amples informations concernant l'activation et l'application de la protection contre le vol dans le mode d'emploi de la "Protection contre le vol".

1. Brancher la fiche d'alimentation de l'appareil dans la prise. Le voyant jaune de protection contre le vol clignote. L'appareil est alors prêt pour recevoir le signal de la clé de déblocage.
2. Placer la clé de déblocage directement sur le symbole Verrou. Sitôt que le voyant jaune de protection contre le vol s'allume, l'appareil est débloqué.

-REMARQUE-

Si une coupure dans l'alimentation électrique survient, par ex. lors du changement de zone de travail, l'appareil reste débloqué pendant env. 20 minutes. En cas de coupures plus longues, l'appareil doit être débloqué à l'aide de la clé de déblocage.

Perçage en percussion


- a) Emmancher la mèche dans le mandrin.
- b) Tourner le sélecteur de fonction sur la position Rotopercussion () jusqu'à ce qu'il se verrouille .
- c) Choisir la puissance de perçage voulue, II = plein régime ou I = semi-régime . Pour travailler dans un support friable ou fragile (p. ex. brique creuse), il peut être préférable de travailler à semi-régime, de manière à percer un trou bien calibré.
- d) Tourner la poignée latérale jusque dans la position désirée. Vérifier qu'elle est correctement montée et bien serrée .
- e) Brancher l'appareil.
- f) Placer l'appareil contre le support en positionnant la mèche à l'endroit désiré, puis actionner lentement l'interrupteur de commande. Percer à vitesse lente jusqu'à ce que la mèche se centre toute seule dans le trou.
- g) Appuyer à fond sur l'interrupteur de commande pour continuer de travailler à plein régime. Pour percer un

trou traversant, il peut être préférable de réduire la vitesse de perçage juste avant de déboucher de l'autre côté, de manière à réduire au maximum les épaufrures.

Active Torque Control (TE76-ATC / TE76P-ATC)


En plus de son limiteur de couple mécanique, le TE76-ATC / TE76P-ATC est équipé du système **Active Torque Control** qui offre une protection supplémentaire à l'utilisateur lors des forages: en effet, dès le premier mouvement de rotation incontrôlé autour de l'axe longitudinal de la mèche, quand cette dernière vient p. ex. à se bloquer dans le trou au contact d'un fer à béton ou à se coincer, l'appareil s'arrête très rapidement.


Lorsque le système ATC a été activé, l'appareil peut être remis en marche en relâchant l'interrupteur de commande, puis en le réactionnant après que le moteur s'est arrêté de tourner (un déclic audible signale que l'appareil est de nouveau prêt à être utilisé).

Toujours choisir une position de travail dans laquelle l'appareil peut tourner librement dans le sens contraire des aiguilles d'une montre (vu comme l'utilisateur regarde) . Si ce n'est pas possible, le système ATC ne peut pas réagir.

Perçage avec la jauge de profondeur (accessoire spécial)

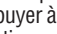
Pour percer des trous à la bonne profondeur, nous conseillons d'utiliser la jauge de profondeur. Pour réduire au maximum tous écarts éventuels d'inclinaison de l'appareil et régler simplement la profondeur de perçage, il est prévu une tige d'arrêt contre-coudée .

Montage : placer la jauge de profondeur sur la face supérieure de l'appareil de telle sorte que les deux ergots de positionnement se clipsent bien dans les deux petites cavités supérieures à l'endroit où la bride est vissée. Appuyer la jauge de profondeur sur l'appareil jusqu'à ce que les deux supports arrière s'encliquètent bien dans le boîtier de l'appareil. Insérer et faire coulisser la tige d'arrêt avec l'extrémité contre-coudée par l'avant jusque dans la jauge de profondeur.

Réglage de la profondeur de perçage : faire coulisser la tige d'arrêt jusqu'à la profondeur de perçage désirée. Tourner l'extrémité avant de la tige d'arrêt jusqu'à environ 10 mm ($\frac{3}{8}$ ") de la mèche et serrer la vis de blocage.

Après l'avoir utilisée, renlever la jauge de profondeur et la ranger dans le coffret de transport


Perçage sans la percussion


Il est possible de percer sans la percussion grâce à des outils à emmanchement spécial. Hilti propose toute une gamme d'outils de ce type. Avec le mandrin autoserrant, il est par exemple possible d'adapter des mèches à bois ou des forets métaux à tige cylindrique et de percer sans la percussion. Le sélecteur de fonction doit être bien verrouillé en position Rotopercussion ()

Burinages

Le burin peut être orienté et bloqué dans 24 positions différentes. Il est ainsi possible de travailler en positionnant toujours le tranchant du burin plat ou de la gouge, de la boucharde, du burin à déjoindre, etc., sous l'angle optimal.

- Emmancher le burin dans le mandrin.
- Régler le sélecteur de fonction en position médiane **8**.
- Régler la position (l'angle du tranchant) du burin comme désiré en tournant le mandrin **13**. Tourner le sélecteur de fonction en position burinage (◀) jusqu'à ce qu'il soit bien verrouillé **3**.
- Régler la puissance de burinage désirée, II = plein régime ou I = semi-régime **10**. Pour travailler dans un support friable ou fragile (p. ex. brique creuse) ou pour réaliser des travaux de finitions avec une boucharde, il est préférable de travailler à semi-régime.
- Tourner la poignée latérale jusque dans la position désirée. Vérifier qu'elle est correctement montée et bien serrée **3**. Il est aussi possible de tenir l'appareil par la partie préhensile du mandrin.
- Brancher l'appareil.
- Appuyer la machine avec le burin contre le support à l'endroit désiré. Pour travailler avec précision et éviter que le burin ne glisse sur le support, actionner lentement l'interrupteur de commande.
- Appuyer à fond sur l'interrupteur pour travailler à plein régime.
- Si besoin est, il est possible de bloquer l'interrupteur de commande lorsque l'appareil fonctionne en mode burinage **14**. Pour cela, pousser le curseur rouge situé dans la poignée principale, au-dessus de l'interrupteur de commande, vers la droite, puis appuyer à fond sur l'interrupteur de commande. L'appareil peut alors fonctionner en continu. Pour arrêter l'appareil, pousser le curseur rouge de nouveau vers la gauche jusqu'à ce qu'il revienne en position initiale.

 Si vous ne voulez pas buriner en continu, toujours pousser le curseur rouge situé au-dessus de l'interrupteur de commande vers la gauche. Sinon, l'interrupteur de commande risque de se bloquer de manière intempestive en mode burinage.



 Ne jamais actionner le sélecteur de fonction **8** lorsque l'appareil fonctionne. Pour buriner, le sélecteur de fonction doit toujours être bien verrouillé en position burinage (◀).


Ne jamais buriner en tenant le burin sous le même angle car il pourrait se coincer. Ne jamais utiliser le burin comme un pied-de-biche pour casser le matériau support en forçant car cela risquerait d'abîmer l'appareil. Pour obtenir le meilleur rendement en démolition possible, le burin doit être guidé sous un angle obtu à partir du bord en direction du point le plus bas **15**.

Nettoyage et entretien

Nettoyage

La coque extérieure du boîtier de l'appareil est en plastique résilient. Les parties préhensibles, le capuchon pare-poussière et la gaine du cordon sont en élastomère.


  Nettoyer régulièrement l'extérieur de l'appareil avec une chamoisette légèrement humidifiée. N'utiliser ni spray, ni appareil à jet de vapeur, ni eau courante pour le nettoyage, qui risqueraient d'être préjudiciables à la sécurité électrique de l'appareil. Toujours essuyer les parties préhensibles de l'appareil pour enlever toute trace d'huile ou de graisse. Ne pas utiliser de nettoyeur à base de silicone.

 Ne jamais faire fonctionner l'appareil si les ouïes d'aération sont bouchées ! Nettoyer les ouïes d'aération avec circonspection à l'aide d'une brosse sèche. Eviter toute pénétration de saletés ou de résidus à l'intérieur de l'appareil.

Nettoyer régulièrement le capuchon pare-poussière du mandrin à l'aide d'une chamoisette propre et sèche. Essuyer le joint avec précaution pour le nettoyer, puis le lubrifier légèrement de nouveau avec de la graisse Hilti. **Si le joint est abîmé, remplacer absolument le capuchon pare-poussière.** Introduire la pointe d'un tournevis de côté, en-dessous du capuchon pare-poussière, pour le clipser. Nettoyer la surface d'appui et replacer un capuchon pare-poussière neuf. Bien l'enfoncer en l'appuyant jusqu'à ce qu'il se clipse.

Nettoyer aussi vos outils. Enlever toutes traces de saletés ou tous résidus. Bien les nettoyer en surface en les essuyant de temps en temps avec un chiffon imbibé d'huile pour les protéger de la corrosion. Toujours bien nettoyer l'emmanchement. Le graisser légèrement.

Entretien et indicateur de maintenance


 Vérifier régulièrement toutes les pièces extérieures de l'appareil pour voir si elles ne sont pas abîmées et tous les éléments de commande pour établir s'ils fonctionnent bien. Ne jamais faire fonctionner l'appareil si des pièces sont abîmées ou si des éléments de commande ne fonctionnent pas bien. Si tel est le cas, faire réparer l'appareil dans une agence Hilti.

L'appareil est équipé d'un indicateur de maintenance **10**.

Si le témoin lumineux est allumé, c'est que les charbons du moteur électrique ont fait leur temps. Après que le témoin de l'indicateur de maintenance s'est allumé, l'appareil peut fonctionner encore 8 heures environ avant de s'arrêter automatiquement. Porter à réviser suffisamment tôt votre appareil dans une agence Hilti si vous voulez qu'il marche toujours bien.

Si le témoin lumineux clignote, c'est qu'un défaut électrique s'est produit. L'appareil s'est arrêté automatiquement. Porter à réparer votre appareil dans une agence Hilti.

Outils et accessoires

N'utiliser que des outils à emmanchement TE-Y .

Appareils et outils Hilti sont parfaitement adaptés entre eux et constituent un système complet et homogène. Un appareil Hilti ne peut donc fournir un rendement maximal et durer le plus longtemps possible que si vous utilisez des outils Hilti. Hilti propose toute une gamme d'outils et d'accessoires pour son système TE-Y . Les outils les plus importants pour le perçage en percussion et le burinage, sont illustrés à l'intérieur du coffret de transport. Pour plus de détails sur l'ensemble de la gamme, vous référer au catalogue de vente Hilti.

Si vous avez besoin d'outils autres que ceux standard, n'hésitez pas à contacter le Service-Clients Hilti ou votre conseiller de vente Hilti. Hilti peut en effet proposer tout un programme d'outils spéciaux haut de gamme aux professionnels.



Vérifier régulièrement vos outils et les échanger en temps voulu. S'ils sont abîmés ou si leur emmanchement est déjà bien usé, ils risquent d'abîmer votre appareil. Si les segments en métal dur des mèches ou forets sont cassés ou ébréchés, les trous risquent de ne pas être bien calibrés, ce qui influe sur la capacité de charge des fixations par chevilles!

Vous pouvez réaffûter ou reforger vous-même vos burins Hilti haut de gamme. Votre conseiller de vente Hilti se fera un plaisir de vous fournir toutes les instructions nécessaires.

Lire et bien respecter les instructions de nettoyage et d'entretien de vos outils au paragraphe suivant.

Garantie constructeur des appareils

Hilti garantit l'appareil contre tout vice de matières et de fabrication. Cette garantie s'applique à condition que l'appareil soit utilisé et manipulé, nettoyé et entretenu correctement, en conformité avec le mode d'emploi Hilti, et que l'intégrité technique soit préservée, c'est-à-dire sous réserve de l'utilisation exclusive de consommables, accessoires et pièces de rechange d'origine Hilti.

Cette garantie se limite strictement à la réparation gratuite ou au remplacement gracieux des pièces défectueuses pendant toute la durée de vie de l'appareil. Elle ne couvre pas les pièces soumises à une usure normale.

Toutes autres revendications sont exclues pour autant que des dispositions légales nationales impératives ne s'y opposent pas. En particulier, Hilti ne saurait être tenu pour responsable de toutes détériorations, pertes ou dépenses directes, indirectes, accidentelles ou consécutives, en rapport avec l'utilisation ou dues à une incapacité à utiliser l'appareil dans quelque but que ce soit. Hilti exclut en particulier les garanties implicites concernant l'utilisation et l'aptitude dans un but bien précis.

Pour toute réparation ou tout échange, renvoyer l'appareil ou les pièces concernées au réseau de vente Hilti compétent, sans délai, dès constatation du défaut.

La présente garantie couvre toutes les obligations d'Hilti et annule et remplace toutes les déclarations antérieures ou actuelles, de même que tous accords oraux ou écrits concernant des garanties.

Elimination

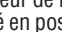
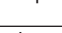
Les appareils Hilti sont, pour la plus grande partie, fabriqués en matériaux recyclables qui doivent être, bien sûr, séparés au préalable. Dans de nombreux pays, Hilti est déjà équipé pour reprendre votre ancien appareil afin de le faire recycler. Pour de plus amples renseignements, consultez notre Service-Clients Hilti ou votre conseiller de vente.

Si vous voulez recycler vous-même les matériaux de l'appareil, le démonter le plus possible sans outils spéciaux, essuyer les parties ou pièces enduites de graisse, enlever l'huile à l'intérieur (env. 50 ml au total) avec du papier absorbant et l'amener à un centre d'élimination agréé. **Ne jamais laisser, en aucun cas, l'huile parvenir au sol ou jusque dans les égouts.**

Séparer les différentes pièces ou parties comme suit:

Sous-ensembles	Principaux matériaux	Recyclage
Coffret de transport	Plastique	Plastiques
Boîtier extérieur	Plastique	Plastiques
Boîtier intérieur	Magnésium	Vieux métaux
Poignée principale et poignée latérale	Plastique	Plastiques
Boîtier électronique	Divers matériaux	Rebut électronique ou vieux métaux
Boîtier moteur	Plastique	Plastiques
Couvercle moteur	Plastique avec partie métallique	Vieux métaux
Ventilateur	Plastique	Plastiques
Moteur (rotor et stator)	Acier et cuivre	Vieux métaux
Cordon	Cuivre, enrobage d'élastomère	Vieux métaux
Pièces d'engrenage, pièces du mécanisme de percussion	Acier	Vieux métaux
Bielle et piston excitateur	Plastique	Plastiques
Vis, petit matériel	Acier	Vieux métaux


Guide de dépannage


Défauts	Causes possibles	Comment y remédier
L'appareil ne fonctionne plus.	Alimentation électrique interrompue	Brancher un autre appareil électrique, vérifier s'il fonctionne.
	Fiche ou cordon défectueux	Les faire vérifier et, éventuellement, remplacer par un électricien qualifié.
	Interrupteur défectueux	Le faire vérifier et, éventuellement, remplacer par un électricien qualifié.
L'appareil ne se met pas en marche et l'indicateur clignote en jaune.	L'appareil n'est pas débloquent (pour les appareils avec protection contre le vol, en option).	Débloquent l'appareil à l'aide de la clé de déblocage.
Absence de percussion	L'appareil est trop froid.	Réchauffer l'appareil jusqu'à une température minimale de fonctionnement. Voir paragraphe «Consignes de mise en marche».
L'appareil ne fonctionne pas à plein régime.	La section du câble de rallonge est trop faible.	Utiliser un câble de rallonge de section suffisante. Voir «Consignes de mise en marche».
	Sélecteur de fonction en position I	Commuter le sélecteur de fonction en position II 10
	L'interrupteur de commande n'est pas enfoncé à fond.	Enfoncer l'interrupteur de commande à fond.
La mèche ne tourne pas.	Le sélecteur de fonction n'est pas verrouillé en position ().	Lorsque l'appareil est à l' arrêt , placer le sélecteur de fonction en position () 8 .
La mèche ne peut pas être déverrouillée.	La douille de verrouillage de la mèche n'est pas complètement revenue en arrière.	Ramener la douille le verrouillage de la mèche complètement en arrière et enlever l'outil.
	La poignée latérale n'est pas bien montée ou glisse.	Desserrer la poignée latérale et la monter correctement de telle sorte que le collet de serrage et la poignée latérale soient bien verrouillés dans les gorges 3 .

Es imprescindible leer las instrucciones de uso antes de la puesta en marcha

Guarde siempre estas instrucciones junto con la herramienta.

Si entrega la herramienta a otras personas, hágalo siempre junto con las instrucciones

 Este símbolo identifica en este manual las instrucciones especialmente importantes para la seguridad. Se deben respetar siempre, ya que de no hacerse así podrían producirse graves lesiones.

 Aviso de tensión eléctrica peligrosa
En estas instrucciones de uso, este símbolo advierte del peligro provocado por la corriente eléctrica. Dichas instrucciones deberán seguirse siempre para reducir el riesgo de que se produzcan heridas en las personas o daños en la propiedad.

1 Los números remiten a las figuras. Las figuras citadas en el texto se encuentran en la parte desplegable de las tapas. Manténgalas desplegadas durante la lectura de las instrucciones.

En este texto, el término «la herramienta» se refiere siempre a la herramienta eléctrica objeto de estas instrucciones de uso.

Elementos de operación **1**

- 1 Bloqueo del útil
- 2 Selector de función
- 3 Interruptor selector de potencia
- 4 Interruptor electrónico
- 5 Fijación del interruptor para funcionamiento continuo con cincel

Componentes de la herramienta **1**

- 6 Caperuza protección polvo
- 7 Alojamiento del útil (portabrocas)
- 8 Empuñadura lateral
- 9 Indicador de servicio
- 10 Empuñadura
- 11 Mecanismo de percusión/engranaje
- 12 Motor
- 13 Placa de características
- 14 Indicador de protección antirrobo
(opcional TE 76P / TE 76P-ATC)
- 15 Símbolo de candado

Índice	Página
Reglas generales de seguridad	22
Reglas y símbolos específicos de seguridad	23
Descripción	23
Preparación para el uso	25
Utilización	25
Cuidado y mantenimiento	27
Útiles de inserción y accesorios	28
Garantía del fabricante de las herramientas	28
Reciclado y evacuación de residuos	29
Detección de averías	30

Reglas generales de seguridad

¡Atención! Lea todas las instrucciones hasta entenderlas perfectamente. El no seguimiento de las instrucciones siguientes puede ser causa de descargas eléctricas, incendio y/o graves lesiones.

GUARDAR ESTAS INSTRUCCIONES

1. Zona de trabajo

Mantenga la zona de trabajo limpia y bien iluminada. Los bancos de trabajo abarrotados de cosas y las zonas oscuras son una invitación a los accidentes.

No utilizar las herramientas eléctricas en atmósferas explosivas, por ejemplo en presencia de líquidos, gases o polvo inflamables. Este tipo de herramientas producen chispas que pueden ser causa de inflamación del polvo o humos.

Las personas y niños deben permanecer alejados. Las distracciones pueden hacer que usted pierda el control de la herramienta.

2. Seguridad eléctrica

Las herramientas con conexión a tierra deben ser conectadas a una toma de corriente apropiada; la puesta a tierra ha de hacerse de acuerdo con las normas y reglamentos. No quitar nunca la patilla de tierra ni modificar el enchufe. No utilizar enchufes adaptadores. Consultar a un electricista cualificado si tiene alguna duda sobre si la toma de corriente está correctamente conectada a tierra. Si las herramientas sufren una avería o rotura, la toma de tierra establece un camino de baja resistencia por el que se descarga la corriente, alejándola del usuario.

Sólo aplicable a herramientas de Clase I (conectadas a tierra)

Las herramientas con doble aislamiento están equipadas con un enchufe polarizado (una patilla es más gruesa que la otra). Este enchufe podrá ser introducido de una sola forma en una toma de corriente polarizada. Si el enchufe no queda perfectamente enchufado, inviértalo. Si tampoco queda correctamente enchufado, ponerse en contacto con un electricista cualificado para instalar una toma de corriente polarizada. No cambiar nunca el enchufe. El doble aislamiento  elimina la necesidad de utilizar un cable de tres conductores y un sistema de alimentación eléctrica con conexión a tierra.

Sólo aplicable a herramientas de Clase II

Evite el contacto del cuerpo con las superficies conectadas a tierra tales como tuberías, radiadores, cocinas y frigoríficos. El peligro de descargas eléctricas es mayor si existe contacto del cuerpo con la tierra.

No exponer las herramientas eléctricas a la lluvia o a ambientes húmedos. Si entra agua en el interior de la herramienta aumentará el peligro de descargas eléctricas.

No aplicar esfuerzos sobre el cable. No llevar nunca la herramienta suspendida del cable ni desenchufar la

herramienta tirando del mismo. Mantener el cable alejado del calor, aceite, aristas vivas o partes móviles. Sustituir inmediatamente los cables dañados. Un cable dañado aumentará el peligro de que se produzcan descargas eléctricas.

Cuando se utilice una herramienta eléctrica en exteriores, utilizar un cable de prolongación para exteriores marcado «W-A» o «W». Estos prolongadores están diseñados para su uso en exteriores y reducen el peligro de descargas eléctricas.

3. Seguridad personal

Permanezca alerta, observando lo que hace, y aplique el sentido común cuando esté utilizando una herramienta eléctrica. No utilice la herramienta cuando esté cansado o bajo la influencia de drogas, alcohol o medicamentos. Un momento de falta de atención puede ser causa de graves lesiones.

Vestir de forma apropiada. No llevar ropa amplia, el cabello largo suelto ni joyas, ya que de lo contrario podrían quedar enganchados en piezas en movimiento.

Impedir que la herramienta arranque de forma imprevista. Comprobar que el interruptor está en posición «off» antes de enchufarlo a la red. Llevar la herramienta con el dedo en el interruptor o enchufarla con el interruptor conmutado es una invitación a que se produzcan accidentes.

Retirar las llaves de ajuste antes de poner en marcha al aparato. Una llave que esté sobre una parte en movimiento puede ser causa de lesiones.

No forzar el cuerpo. Manténgase sobre los dos pies y en perfecto equilibrio en todo momento. Un buen equilibrio ayuda a controlar el equipo en situaciones imprevistas.

Utilizar equipos de seguridad. Utilizar siempre una protección para los ojos. Cuando las condiciones existentes lo hagan necesario, utilizar una máscara antipolvo, zapatos de seguridad con suela antideslizante, casco o protección para los oídos.



4. Utilización y cuidado de la herramienta

Utilizar mordazas u otro método apropiado para fijar y soportar la pieza en una plataforma estable. Sostener la pieza con la mano o contra el cuerpo resulta inestable y puede ser causa de pérdida de control.

No fuerce la herramienta. Utilice la herramienta apropiada para la aplicación concreta. La herramienta correcta hará el trabajo mejor y de forma más segura, a la velocidad para la que ha sido diseñada.

No utilizar la herramienta si el interruptor queda bloqueado. Un aparato que no puede ser controlado con el interruptor resulta peligroso y debe ser reparado.

Desconectar el enchufe de la toma de corriente antes de realizar cualquier ajuste, cambiar accesorios o guardar la herramienta. Dichas medidas preventivas de segu-

ridan reducen el peligro de que la herramienta se ponga en marcha de forma imprevista.

Guardar la herramienta fuera del alcance de los niños u otras personas inexpertas. Las herramientas eléctricas son peligrosas en manos inexpertas.

Mantener el aparato en perfecto estado. Mantener los útiles de corte afilados y limpios. Si los útiles están correctamente mantenidos y bien afilados es menos probable que queden atrancados y son más fáciles de controlar.

Comprobar si hay partes móviles mal alineadas o agrietadas, componentes rotos o cualquier otra condición que afecte al funcionamiento de la herramienta. Si está dañada, reparar la herramienta antes de utilizarla. Muchos accidentes están causados por un mal mantenimiento.

Utilizar sólo accesorios recomendados por el fabricante del modelo utilizado por usted. Accesorios que pueden ser apropiados para un aparato, pueden ser peligrosos cuando se utilizan en otro distinto.

5. Mantenimiento

El mantenimiento de la herramienta sólo debe ser realizado por personal cualificado. Las operaciones de mantenimiento realizadas por personal no cualificado son peligrosas y pueden ser causa de lesiones.

Utilizar sólo piezas de repuesto idénticas a las originales. Siga las instrucciones de la sección sobre Mantenimiento de este manual. La utilización de piezas no autorizadas o el incumplimiento de las instrucciones de mantenimiento puede ser causa de descargas eléctricas o lesiones.

Reglas y símbolos específicos de seguridad

Sostener la herramienta por las empuñaduras aisladas cuando durante la operación puedan cortarse conductores eléctricos o el propio cable de la herramienta. El contacto con un conductor bajo tensión hará que las piezas expuestas reciban corriente eléctrica, pudiendo el operario recibir una descarga eléctrica.

Utilizar protecciones para los oídos cuando la herramienta sea utilizada durante largos períodos de tiempo. Una exposición prolongada al ruido de alta intensidad puede ser causa de pérdida auditiva.



Utilizar la herramienta sólo para los fines a los que está destinada. De lo contrario pueden producirse descargas eléctricas, daños en la propiedad y/o graves lesiones.

Sostener siempre la herramienta con ambas manos mientras la utiliza. Utilizar siempre la empuñadura lateral. Comprobar que la empuñadura lateral está correctamente montada y firmemente sujeta. Agarrar la

empuñadura lateral por su extremo exterior durante el taladrado y prestar atención en todo momento. La broca puede quedar agarrotada de forma imprevista, lo que puede hacer que la herramienta gire si no se sujeta firmemente.

Desenchufe inmediatamente la herramienta si el cable de alimentación resulta dañado durante el trabajo. Dicho cable deberá ser sustituido por un electricista cualificado. Un cable de alimentación dañado supone un peligro de incendio y/o de descargas eléctricas.

No utilizar nunca la herramienta cuando esté sucia o húmeda. La suciedad/polvo o la humedad en la superficie de la herramienta hace que ésta sea resbaladiza y difícil de agarrar, pudiendo, en condiciones desfavorables, ser causa de descargas eléctricas.

Asegurarse de que los útiles empleados con la herramienta disponen de extremos de inserción apropiados para el sistema de alojamiento utilizado y que quedan bloqueados en la posición correcta. Los útiles con extremos de inserción diferentes serán causa de mal funcionamiento y daños en la herramienta, pudiendo incluso producirse lesiones causadas por piezas rotas. Una inserción incompleta puede ser causa de que el útil se salga del alojamiento, produciendo daños o lesiones.

Símbolos utilizados en la herramienta:

V	voltios
~	corriente alterna
Hz	hertz
W	vatios
A	amperios
n_0	velocidad sin carga
n	velocidad con carga normal
/min	revoluciones por minuto
\varnothing	diámetro
	conexión a tierra

Descripción

El TE 76 / TE 76P / TE 76-ATC / TE 76P-ATC es un martillo eléctrico rotativo motorizado para taladrado y cincelado, con un mecanismo neumático percutor, para uso del profesional.

Se suministra: la herramienta, las instrucciones de uso, 50 ml de grasa, paño de limpieza y caja de transporte.

Ver figura 1 y explicación de los elementos de operación en la página 17.



Al utilizar la herramienta deben cumplirse siempre las siguientes condiciones:

- La herramienta debe ser conectada a la red de alterna conforme a los datos de la placa de características.
- Utilizarla exclusivamente de forma manual.
- No utilizarla en ambientes con peligro de explosión.

Datos técnicos	TE 76 / TE 76-ATC	TE 76P / TE 76P-ATC
Potencia nominal	1300 W	1400 W
Tensión nominal	120 V	120 V
Intensidad nominal	13.0 A	13.9 A
Frecuencia	50–60 Hz	
Peso de la herramienta	TE 76 / TE 76P TE 76-ATC / TE 76P-ATC	7.0 kg (15.0 lb) 7.9 kg (17.5 lb)
Dimensiones (L×Al×An)	TE 76/TE 76P 497x 261x 115 mm (19.6 x 10.3 x 4.5 in) TE 76-ATC/TE 76P-ATC 510 x 288 x 115 mm (19.6 x 10.3 x 4.5 in)	
Distancia mínima broca-pared	1.5 in / 38 mm	
Velocidad	II = 0–282/min I = 0–200/min	
Rendimiento típico de taladrado en hormigón de dureza media B 35	$\varnothing \frac{3}{4}$ " 14.2 in/min / \varnothing 20 mm: 360 mm/min \varnothing 1 " 11.4 in/min / \varnothing 25 mm: 290 mm/min \varnothing 1 $\frac{1}{4}$ " 7.1 in/min / \varnothing 32 mm: 180 mm/min	
Rendimiento típico de cincelado en hormigón de dureza media B 35	35.1 cu.in/min / 575 cm ³ /min	
Protección antirrobo TPS (Theft Protection System) con Company Card, Company Remote y llave de activación TPS-K	opcional TE 76P / TE 76P-ATC	

Características más importantes de la herramienta

Protección eléctrica Clase I (conectada a tierra)
 Active Torque Control TE76-ATC / TE76P-ATC
 (protección adicional del usuario en el taladrado)
 Embrague mecánico limitador de par
 Sin absorción de cargas en modo percutor
 Empuñaduras lateral y trasera con absorción de las vibraciones
 Portabrocas de cambio rápido
 Sistema TE-Y de inserción de útiles
 Velocidad con regulación continua, independiente de la presión
 Selección de potencia total (II) y media (I)
 Modos de taladrado y cincelado
 Fijación del interruptor para funcionamiento continuo en cincelado

24 posiciones de regulación del cincel
 Lubricación permanente con aceite del engranaje y del sistema percutor
 Escobillas de carbono con desconexión automática
 Indicador de servicio con señal luminosa
 Empuñadura lateral regulable
 Tope de profundidad regulable (opcional)

Protección antirrobo (opcional TE 76P / TE 76P-ATC)

La herramienta puede estar equipada de forma opcional con la función de "protección antirrobo". Si la herramienta está equipada con esta función, sólo se podrá activar y manejar con la correspondiente llave de activación.

Nos reservamos el derecho de efectuar modificaciones técnicas.

La herramienta ha sido diseñada para las siguientes aplicaciones:

Aplicación	Útiles necesarios	Rango de diámetros
Taladrado en hormigón, ladrillo y piedra natural	Broca con extremo de inserción TE-Y – Brocas de percusión – Broca trépano – Broca corona de percusión	Gama de taladrado en hormigón Ø 1/2" – 1 3/16" / Ø 12– 40 mm Ø 1 1/2" – 3 1/8" / Ø 40– 80 mm Ø 1 3/4" – 6" / Ø 45–150 mm
Cinzelado en hormigón, ladrillo y piedra natural	Punteros, cinceles planos y de forma, con extremo de inserción TE-Y	Acabado de superficies y cinzelado
Colocación de anclajes	Útil de colocación con extremo de inserción TE-Y	Todos los anclajes Hilti con útiles de colocación TE-Y
Taladrado en madera y metal	Portabrocas 263359 Portabrocas cierre rápido 60208 Brocas para madera o metal con vástago cilíndrico o hexagonal	Broca para madera, Ø 3/8" – 1 1/4" / Ø 10–32 mm Broca para madera, Ø 3/8" – 3/4" / Ø 10–20 mm
Mezcla de materiales no inflamables (ej. mortero)	Portabrocas 263359 Portabrocas cierre rápido 60208 Mezclador con vástago cilíndrico o hexagonal	Mezcladores, Ø 3 1/8" – 6" / Ø 80–150 mm

Preparación para el uso

Es imprescindible leer y seguir las indicaciones de seguridad de estas instrucciones de uso.

La tensión de la red debe coincidir con los datos de la placa de características.

Si se utilizan cables de prolongación: utilizar sólo los autorizados para la aplicación en cuestión, debiendo ser de sección suficiente. De lo contrario puede reducirse el rendimiento de la herramienta o producirse sobrecalentamiento del cable. Si el cable alargador está deteriorado, sustituirlo. Las secciones y longitudes máximas recomendadas para los prolongadores son las siguientes:

Tensión de la red	Sección del cable				AWG	
	1,5	2,0	2,5	3,5	14	12
100 V	20 m	30 m	40 m	50 m	–	–
110–120 V	30 m	40 m	50 m	50 m	100 ft	150 ft
220–240 V	50 m	75 m	100 m	125 m	–	–

No utilice cables de extensión de 1,25 mm² y 16 AWG.

Utilizar únicamente herramientas con extremo de inserción TE-Y.

No aplicar una presión excesiva sobre la herramienta, ya que no aumentará la potencia de percusión.

En el caso de temperaturas exteriores bajas: la herramienta necesita una temperatura de funcionamiento mínima para que funcione el mecanismo de percusión. Encender la herramienta y apoyar la punta de la broca del cincel sobre la superficie de trabajo. Cuando la herramienta esté girando, aplicar brevemente una ligera presión de forma repetida hasta que el mecanismo percutor empiece a funcionar.

Utilización

Accionamiento con generadores y transformadores

Este aparato puede funcionar con un generadores y transformadores de obra si éste cumple los siguientes requisitos:

- corriente alterna de 2600 W mínimo; 24 A mínimo
- tensión nominal 120 VAC; min. 102 V, máx. 132 V en todas las condiciones
- frecuencia 50–60 Hz; nunca superior a 65 Hz
- regulador automático dinámico de tensión.

No conectar otras herramientas eléctricas al generadores y transformadores al mismo tiempo, ya que de lo contrario podrían producirse subtensiones y/o sobretensiones que pueden dañar la herramienta.

Colocación del útil

- a) Desenchufar la herramienta de la red para impedir que se ponga en marcha de forma imprevista.
- b) Comprobar que el extremo de inserción de la herramienta está limpio y ligeramente engrasado. Si fuera necesario, limpiarlo y engrasarlo **2**. Comprobar la limpieza de la pestaña de estanqueidad de la caperuza de protección antipolvo y, si fuera necesario, limpiarla frotando con un paño. Tener cuidado de que no entre polvo de taladrado en el interior del portabrocas. Si la pestaña de estanqueidad está deteriorada, es imprescindible cambiar la caperuza de protección de polvo. Ver sección «Cuidado y Mantenimiento».
- c) Introducir el útil en el portabrocas y girarlo aplicando una ligera presión hasta que quede encajado en las ranuras guía **6**.
- d) Presionar al útil introduciéndolo más hasta que se oiga el ruido de fijación. Comprobar que el útil está correctamente enclavado tirando de él **6**.

Extracción del útil

- Desenchufar la herramienta de la red.
- Llevar hacia atrás la fijación del útil y extraer éste. **7**

Utilizar guantes de seguridad. La herramienta puede estar muy caliente después de una utilización prolongada.

Taladrado

Servicio

Activación de la herramienta (protección antirrobo)

(Opcional, no disponible para todos los modelos)

Para una información más detallada acerca de la activación y aplicación de la protección antirrobo, consulte "Protección antirrobo" en el manual de instrucciones.

- Inserte el enchufe de la herramienta en la toma de corriente. La luz de la protección antirrobo se enciende. La herramienta está ahora lista para recibir la señal de la llave de activación.
- Acerque la llave de activación directamente al símbolo del candado. En cuanto se apague la luz de la protección antirrobo, la herramienta estará activada.

-INDICACIÓN-

Si la alimentación eléctrica se interrumpe, p.ej. al cambiar el lugar de trabajo, la disponibilidad de funcionamiento de la herramienta se mantiene aprox. durante 20 minutos. En caso de interrupciones más prolongadas será preciso activar la herramienta mediante la llave de activación.

Taladrar con percusión

- Colocar la broca en el portabrocas.
- Girar el selector de función a la posición de taladrado () hasta que quede enclavado **8**.
- Seleccionar la potencia deseada (II = potencia total, I = media potencia) **10**. Si se taladra un material frágil (ej. ladrillo hueco), puede ser ventajoso trabajar a media potencia, ya que así se podría conseguir un agujero de mayor calidad.
- Girar la empuñadura lateral hasta la posición deseada. Asegurar que está montada correctamente y firmemente sujeta **9**.
- Enchufar el cable a la toma de corriente.
- Poner la punta de la broca en contacto con la superficie a trabajar, en el punto en el que va a hacerse el agujero, y pulsar lentamente el interruptor. Taladrar a baja velocidad hasta que la broca quede centrada en el agujero.
- Accionar a fondo el interruptor para seguir trabajando a la máxima potencia. Cuando se taladra un agujero pasante, reducir la velocidad de taladrado poco antes de atravesar el material. Con ello se reducirá el desconchado o astillado alrededor del agujero.

Active Torque Control (Control Activo de Par (TE76-ATC / TE76P-ATC))

El TE76-ATC / TE76P-ATC, además del embrague mecánico limitador de par, está equipado con el sistema **Active Torque Control**. Este sistema ayuda a mantener el control de la herramienta durante el taladrado. Si la broca topa, por ejemplo, con una barra de armadura, el ATC ayuda a parar la herramienta, reduciendo el peligro de un giro incontrolado.

Cuando se ha activado el sistema ATC, la herramienta puede ser puesta de nuevo en marcha soltando el interruptor y volviendo a accionarlo después de que el motor se haya parado (se oírán un «clic» indicando que puede ser puesta de nuevo en marcha).

Elegir siempre una posición de trabajo en la que la herramienta pueda girar libremente **5** en sentido antihorario (mirando desde el lado del operario), ya que de lo contrario el sistema ATC no puede reaccionar.

Taladrado con tope de profundidad (accesorio especial)

Para taladrar agujeros de profundidad precisa recomendamos utilizar el tope de profundidad. La varilla del tope está acodada **12** para reducir las desviaciones debidas a la oscilación de la herramienta y para facilitar el ajuste de la profundidad de taladrado **12**.

Montaje **11**: Colocar el tope de profundidad en la parte superior de la herramienta, de forma que los dos orejetas de posicionamiento encajen en ambos rebajes superiores del manguito-bridado de la herramienta. Presionar el tope de profundidad contra la herramienta hasta que los dos soportes traseros encajen en la carcasa de la misma. Introducir la varilla de tope de profundidad por la parte delantera, con el extremo acodado hacia el frente de la herramienta.

Ajuste de la profundidad de taladrado **12**: Deslizar la varilla del tope hasta la profundidad de taladrado deseada. Ajustar el extremo delantero de la varilla hasta que quede a aproximadamente una distancia de 10 mm de la broca y apretar el tornillo de fijación.

Cuando ya no sea necesario, desmontar el tope de profundidad y guardarlo en la caja de transporte.

Taladrado sin percusión

Es posible taladrar sin percusión utilizando útiles que tengan un extremo de inserción especial. El programa de suministro de Hilti incluye este tipo de herramientas. Con el portabrocas de cierre rápido pueden utilizarse, por ejemplo, brocas para madera o acero de vástago cilíndrico para realizar taladrados sin percusión. Para ello, el selector de función debe estar enclavado en la posición de taladrado con percusión ().

Cincelado

El cincel puede ser situado en 24 posiciones diferentes. Gracias a ello se puede trabajar con cinceles planos o de forma en el ángulo óptimo.

- a) Colocar el cincel en el portabrocas.
- b) Llevar el selector de función a la posición central **3**.
- c) Seleccionar la posición del cincel (ángulo del filo de corte) girando el portabrocas **13**. Llevar el selector de función a la posición de cincelado () hasta que quede enclavado **8**.
- d) Seleccionar la potencia de cincelado deseada (II = potencia total, I = potencia media) **10**. Si se trabaja sobre un material frágil (ej. ladrillo hueco) o se utilizan herramientas para acabado de superficies, es conveniente utilizar la potencia media.
- e) Girar la empuñadura lateral hasta la posición deseada. Asegurar que está montada correctamente y firmemente sujeta **3**. En el caso de acabado de superficies, también puede sostener la herramienta por la sección de agarre del portabrocas.
- f) Enchufar el cable a la toma de corriente.
- g) Poner la punta del cincel en contacto con la superficie de trabajo en el punto deseado. Accionar lentamente el interruptor para permitir iniciar de forma precisa la operación de cincelado, evitando que el cincel resbale.
- h) Apretar a fondo el interruptor para trabajar a la potencia máxima.
- i) Si se desea, se puede fijar el interruptor en la posición deseada cuando la herramienta funciona en modo de cincelado **14**. Para ello, llevar hacia la derecha el interruptor de corredera rojo situado en la empuñadura sobre el interruptor principal y luego apretar éste a fondo. La herramienta se encuentra ahora en modo de funcionamiento continuo. Para desconectar, llevar el interruptor de corredera rojo hacia la izquierda, devolviéndolo a la posición original.

Si no va a trabajar en modo continuo, tener siempre el interruptor de corredera rojo en la posición izquierda. De lo contrario, el interruptor principal podría quedar bloqueado durante el cincelado en la posición de funcionamiento continuo.

No accionar nunca el selector de función **3** cuando el motor está en marcha. Para cincelar el selector debe estar siempre en posición de cincelado ().

Al cincelar, no permitir nunca que el cincel penetre en el material base según un ángulo constante, ya que de lo contrario podría quedar agarrado. No utilizar nunca el cincel como una palanqueta, rompiendo el material haciendo fuerza, ya que de lo contrario la herramienta puede resultar dañada. Se consigue el máximo rendimiento cuando el cincel es guiado según un ángulo inclinado, trabajando desde el borde hacia el punto más bajo **15**.

Cuidado y mantenimiento

Cuidado

La carcasa de la herramienta es de plástico resistente al impacto. Las secciones de empuñadura, la caperuza antipolvo y el manguito protector del cable son de material elastómero.

Limpiar periódicamente las partes exteriores de la herramienta con un paño ligeramente humedecido. ¡No utilizar spray, equipos de limpieza con vapor a presión o agua corriente para la limpieza! Esto podría afectar negativamente a la seguridad eléctrica de la herramienta. Mantener siempre las superficies de empuñadura exentas de aceite y grasa. No utilizar productos de limpieza que contengan silicona.

No poner nunca en marcha la herramienta si las ranuras de ventilación están obturadas. Limpiar cuidadosamente las ranuras de ventilación con un cepillo seco. No permitir que cuerpos extraños penetren en el interior de la herramienta.

Limpiar periódicamente la caperuza antipolvo con un paño limpio y seco. Limpiar la pestaña de estanqueidad frotándola cuidadosamente y aplicarle una pequeña cantidad de grasa Hilti. **Es imprescindible sustituir la caperuza antipolvo si está dañada la pestaña de estanqueidad.** Proceder de la forma siguiente: Introducir un destornillador por el borde de la caperuza antipolvo y levantarla llevándola hacia delante. Limpiar la superficie de contacto y colocar una nueva caperuza antipolvo. Presionar con fuerza hasta que encaje.

Cuidar también los útiles. Eliminar los depósitos de suciedad y polvo y proteger periódicamente los útiles contra la corrosión frotando su superficie con un trapo embebido en aceite. Mantener el extremo de inserción siempre limpio y ligeramente engrasado.

Mantenimiento, indicador de servicio

Comprobar periódicamente si los componentes externos de la herramienta han sufrido algún daño y si todos los mandos funcionan correctamente. No utilizar la herramienta si hay componentes dañados o mandos que no funcionen correctamente. Hacer que el Servicio de Mantenimiento de Hilti repare la herramienta.


La herramienta está equipada con un indicador de servicio **10**.

Indicador encendido: Las escobillas de carbono han llegado al final de su vida útil. Cuando se enciende el indicador, la herramienta puede funcionar aproximadamente 8 horas más, hasta que entre en acción la desconexión automática. Cuando el indicador se encienda, llevar la herramienta al Servicio de Mantenimiento de Hilti para realizar el mantenimiento de rutina planificado.

Indicador intermitente: Se ha producido una avería eléctrica. La herramienta ha sido desconectada automáticamente. Llevar la herramienta al Servicio de Mantenimiento de Hilti para que la repare.

Útiles de inserción y accesorios

Utilizar únicamente herramientas con extremo de inserción TE-Y .

Lo útiles Hilti han sido diseñados para su funcionamiento óptimo con las herramientas Hilti, formando un solo sistema. En consecuencia, la utilización de útiles Hilti con la herramienta permite conseguir el máximo rendimiento, prolongando a la vez su vida útil. Existe una amplia gama de útiles y accesorios  para el sistema TE-Y. En la parte interior de la caja de transporte se muestran los útiles más importantes para el taladrado percutor y de cincelado. Consultar catálogo de productos Hilti para detalles de la gama completa.

Si necesita útiles no incluidos en la gama estándar, póngase en contacto con el Servicio al Cliente o con el representante de Hilti. Hilti ofrece una amplia gama de herramientas especiales de alta calidad para el profesional.

Comprobar los útiles periódicamente y sustituirlos a su debido tiempo. El deterioro o excesivo desgaste del extremo de inserción puede ser causa de daños en su herramienta. Si las puntas de carburo de las brocas están rotas puede que no se consiga el agujero del diámetro especificado, afectando a su idoneidad para recibir los anclajes.

Los cinceles Hilti de alta calidad pueden ser reafilados fácilmente por usted mismo. El representante de Hilti le suministrará con mucho gusto las instrucciones pertinentes.

Observe cuidadosamente las instrucciones del apartado sobre cuidado y mantenimiento.

Garantía del fabricante de las herramientas

Hilti garantiza la herramienta suministrada contra todo fallo de material y de fabricación. Esta garantía se otorga a condición de que la herramienta sea utilizada, manejada, limpiada y revisada en conformidad con el manual de instrucciones de Hilti, y de que el sistema técnico sea salvaguardado, es decir, que se utilicen en la herramienta exclusivamente consumibles, accesorios y piezas de recambio originales de Hilti.

Esta garantía abarca la reparación gratuita o la sustitución sin cargo de las piezas defectuosas durante toda la vida útil de la herramienta. La garantía no cubre las piezas sometidas a un desgaste normal. Hilti será quien defina cuál es el periodo de vida útil de la herramienta, fijando este plazo siempre por encima de lo que marque la ley vigente

Quedan excluidas otras condiciones que no sean las expuestas, siempre que esta condición no sea contraria a las prescripciones nacionales vigentes. Hilti no acepta la responsabilidad especialmente en relación con deterioros, pérdidas o gastos directos, indirectos, accidentales o consecutivos, en relación con la utilización o a causa de la imposibilidad de utilización de la herramienta para cualquiera de sus finalidades. Quedan excluidas en particular todas las garantías tácitas relacionadas con la utilización y la idoneidad para una finalidad precisa.

Para toda reparación o recambio, les rogamos que envíen la herramienta o las piezas en cuestión a la dirección de su organización de venta Hilti más cercana inmediatamente después de la constatación del defecto.

Estas son las únicas obligaciones de Hilti en materia de garantía, las cuales anulan toda declaración anterior o contemporánea, del mismo modo que todos los acuerdos orales o escritos en relación con las garantías.

Reciclado y evacuación de residuos

La mayor parte de los materiales con los que están fabricadas las herramientas Hilti son reciclables. Los materiales deben ser correctamente separados antes de poder ser reciclados. En muchos países, Hilti está ya preparado para recoger su vieja herramienta para el reciclado de la misma. Consulte al Servicio al Cliente de Hilti o a su representante.

Si usted desea llevar directamente los componentes de material reciclable de su aparato a un centro de reciclado, proceda de la forma siguiente. Desmontar la herramienta hasta donde le sea posible sin tener que utilizar herramientas especiales. Limpiar las piezas impregnadas de aceite con un papel absorbente, recogiendo con el papel el aceite derramado (cantidad total aproximada 50 ml). Para deshacerse de estos papeles proceda de forma correcta. **En ningún caso se permitirá el vertido de este aceite en el sistema de desagüe o en el suelo.**

Los componentes principales deben ser separados de la forma siguiente:

Pieza/conjunto	Material principal	Reciclado
Caja de transporte	Plástico	Plástico
Carcasa exterior	Plástico	Plástico
Carcasa interior	Aleación de magnesio	Chatarra metálica
Empuñadura, empuñ. lateral	Plástico	Plástico
Caja electrónica	Varios	Componentes electrónicos y chatarra metálica
Caja del motor	Plástico	Plástico
Tapa del motor	Plástico con partes metálicas	Chatarra metálica
Ventilador	Plástico	Plástico
Motor (rotor y estator)	Acero y cobre	Chatarra metálica
Cable alimentación	Cobre, funda de elastómero	Chatarra metálica
Piezas de engranajes y de mecanismo percutor	Acero	Chatarra metálica
Biela y émbolo de accionamiento	Plástico	Plástico
Tornillos, pequeñas piezas	Acero	Chatarra metálica


DetECCIÓN DE AVERÍAS


Síntoma	Posible causa	Posible solución
La herramienta no arranca	Fallo de la alimentación eléctrica	Enchufar otro aparato y ver si funciona
	Cable o enchufe defectuoso	Hacer revisar por un electricista especializado y sustituir si fuera necesario
La herramienta no arranca y el indicador de color amarillo parpadea.	Interruptor de puesta en marcha defectuoso	Hacer revisar por un electricista especializado y sustituir si fuera necesario
	La herramienta no está activada (enherramienta con protección antirrobo, opcional).	Activar la herramienta con la llave de activación.
No funciona el sistema percutor	La herramienta está fría	Llevar la herramienta hasta la temperatura mínima de funcionamiento. Ver sección «Preparación para el uso»
La herramienta no alcanza su potencia máxima	Cable alargador de sección insuficiente	Utilizar un cable alargador apropiado. Ver sección «Preparación para el uso»
	El selector de potencia está en pos. I	Llevar el selector a la posición II 10
La broca no gira	El interr. no ha sido apretado a fondo	Apretar el interruptor a fondo
	El selector de función no está enclavado en la posición de taladrado ()	Llevar el interruptor de función (con el motor parado) a la posición de taladrado () 8
La broca no puede ser extraída del portabrocas	El casquillo de bloqueo del portabrocas no ha sido llevado completamente hacia atrás	Llevar el casquillo de bloqueo del portabrocas hacia atrás hasta hacer tope y extraer el útil
	La empuñadura lateral no está correctamente montada	Soltar la empuñadura lateral y montarla correctamente de modo que la banda de sujeción y la empuñadura lateral estén correctamente situados en la ranura de posicionamiento 3

É imprescindível que as instruções de funcionamento sejam lidas antes de ligar o aparelho pela primeira vez.

Mantenha sempre as instruções de funcionamento próximas do aparelho.

Assegure-se de que as instruções de funcionamento são entregues juntamente com o aparelho quando este é dado a outras pessoas.

 Este símbolo, nestas instruções de funcionamento, indica pontos específicos importantes para segurança. Tais instruções devem ser sempre seguidas a fim de reduzir o risco de lesões pessoais graves.

 **Cuidado: Voltagem Elétrica Perigosa**
Este símbolo, nestas instruções de funcionamento, previne-o sobre os riscos da corrente elétrica. Estas instruções devem ser seguidas a fim de reduzir o risco de lesões pessoais graves ou de danos importantes no aparelho.

1 Os números referem-se às ilustrações. As ilustrações podem ser encontradas nas contracapas desdobráveis. Mantenha-as abertas ao ler as instruções de funcionamento.

Nestas instruções de funcionamento, a ferramenta elétrica a que as instruções se referem é identificada como «a ferramenta».

Controles operacionais 1

- 1 Bucha de aperto do mandril
- 2 Chave do seletor de função
- 3 Chave do seletor de alimentação
- 4 Chave de controle
- 5 Trava da chave para cinzelagem

Componentes da ferramenta 1

- 6 Protetor contra o pé
- 7 Mandril
- 8 Cabo lateral
- 9 Indicador de serviço
- 10 Cabo principal
- 11 Engrenagem do mecanismo de martelamento
- 12 Motor
- 13 Placa modelo
- 14 Indicador de proteção anti-roubo (opcional TE 76P / TE 76P-ATC)
- 15 Símbolo de bloqueio

Índice	Página
Normas gerais de segurança	32
Normas e símbolos específicos de segurança	33
Descrição	33
Preparação para uso	35
Funcionamento	35
Conservação e manutenção	37
Ferramentas e acessórios de inserção	38
Garantia do fabricante sobre ferramentas	38
Eliminação de reciclagem	39
Solucionando problemas	40

Normas gerais de segurança

Aviso! Leia e entenda todas as instruções. A não observação de todas as instruções relacionadas abaixo pode causar choque elétrico, incêndio e/ou graves lesões pessoais.

GUARDE ESTAS INSTRUÇÕES

1. Área de trabalho

Mantenha a sua área de trabalho limpa e bem iluminada. Bancadas em desordem e áreas escuras podem causar acidentes.


Não opere a sua ferramenta elétrica em ambientes explosivos como, por exemplo, áreas com poeira, gases ou líquidos inflamáveis. As ferramentas elétricas criam faíscas que podem inflamar-se com a poeira ou fumaça.

Mantenha os outros trabalhadores, crianças e visitantes afastados da área de operação da ferramenta elétrica. As distrações podem fazê-lo perder o controle.

2. Segurança Elétrica

As ferramentas aterradas devem ser conectadas em uma tomada instalada adequadamente e aterrada de acordo com todos os códigos e regulamentos. Nunca remova a ponta de aterramento ou modifique o plugue. Não use quaisquer plugues de adaptação. Se você tiver dúvidas, verifique com um electricista qualificado se a tomada está aterrada de forma adequada. Se a ferramenta não funcionar bem ou quebrar, o aterramento proporcionará um trajeto de baixa resistência que conduzirá a energia para longe do usuário.

Aplicável somente às ferramentas de Classe I (aterradas)

As ferramentas com duplo isolamento estão equipadas com um plugue polarizado (uma lâmina é mais larga do que a outra). Este plugue ajusta-se em uma tomada polarizada de uma única forma. Se o plugue não se ajustar completamente na tomada, inverta-o. Se mesmo assim não houver o ajuste, entre em contato com um electricista qualificado para instalar a tomada polarizada. Não altere o plugue em hipótese alguma. O isolamento duplo  elimina a necessidade do fio triplo de alimentação e do aterramento do sistema de fornecimento de alimentação.

Aplicável somente às ferramentas da Classe II

Evite o contato corporal com superfícies aterradas tais como canos, radiadores, fogões e refrigeradores. Há um grande risco de choque elétrico se o seu corpo estiver em contato com estas superfícies.

Não exponha as ferramentas elétricas à chuva ou umidade. A entrada de água na ferramenta elétrica aumentará o risco de choque elétrico.

Não use o fio de forma incorreta. Nunca use o fio para carregar as ferramentas ou para puxar o plugue da tomada. Mantenha o fio afastado do calor, de combustíveis, de objetos pontiagudos e de peças em movimento. Substitua os fios danificados imediatamente. Os fios danifi-

cados aumentam o risco de choque elétrico.

Ao operar uma ferramenta elétrica em ambiente externo, use um fio de extensão externo assinalado com «W-A» ou «W». Estes fios são projetados para uso externo e reduzem o risco de choque elétrico.

3. Segurança pessoal

Esteja alerta, observe o que você está fazendo e use o bom senso ao operar uma ferramenta elétrica. Não use a ferramenta quando estiver cansado, ou sob a influência de drogas, álcool ou medicamentos. Um momento de desatenção quando estiver operando as ferramentas elétricas pode causar graves lesões físicas.

Vista-se adequadamente. Não use roupas largas ou jóias. Mantenha os cabelos presos. Mantenha os cabelos, roupas e luvas distantes das peças em movimento. As roupas, jóias ou cabelos soltos podem prender-se nas peças em movimento.

Evite provocar acidentes. Certifique-se de que a chave está desligada antes de ligar a ferramenta na tomada. Transportar as ferramentas com os dedos na chave ou ligar ferramentas que tenham a chave na posição ON (ligada) pode provocar acidentes.

Remova as chaves de ajuste ou chaves inglesas antes de ligar a ferramenta. As chaves inglesas ou de ajuste que forem deixadas nas partes rotativas da ferramenta podem provocar lesões físicas.

Não ultrapasse os limites. Mantenha sempre os pés bem assentes no chão e o corpo equilibrado. Se estiver bem posicionado e equilibrado poderá controlar melhor a ferramenta em situações inesperadas.

Use o equipamento de segurança. Use sempre os óculos de proteção. Para trabalhar em condições apropriadas é obrigatório usar máscaras respiratórias, calçado de segurança antiderrapante, capacetes ou fones de proteção para os ouvidos.



4. Uso e conservação da ferramenta

Use grampos ou outras maneiras práticas para fixar e apoiar a peça de trabalho em uma plataforma estável. Segurar a peça de trabalho com as mãos ou contra o corpo é desaconselhável e pode levar à perda do controle.

Não force a ferramenta. Use a ferramenta correta para a sua aplicação. A ferramenta correta fará o trabalho melhor e de forma mais segura de acordo com as expectativas de projeção.

Não use a ferramenta se a chave não ligar ou desligar. Qualquer ferramenta que não possa ser controlada com a chave é perigosa e tem de ser reparada.

Desconecte o plugue da fonte de alimentação antes de mudar os acessórios, guardar a ferramenta ou fazer quaisquer ajustes. Tais medidas preventivas de segurança reduzem o risco de ligar acidentalmente a ferramenta.

Guarde as ferramentas fora do alcance das crianças e

de outras pessoas destreinadas. As ferramentas são perigosas quando usadas por usuários destreinados.

Mantenha as ferramentas com cuidado. Mantenha as ferramentas afiadas e limpas. As ferramentas mantidas adequadamente com os cortes afiados têm menor probabilidade de falhar e são mais fáceis de controlar.

Verifique o desalinhamento ou falha de peças em movimento, as rupturas de peças e qualquer outra condição que possa afetar o funcionamento da ferramenta. Se esta estiver danificada, consulte o serviço de apoio antes de usá-la. Muitos acidentes são provocados por ferramentas com manutenção inadequada.

Use somente acessórios recomendados pelo fabricante para o seu modelo. Acessórios que são adequados a uma ferramenta, podem tornar-se perigosos quando usados em uma outra ferramenta.

5. Assistência

A prestação de assistência técnica deve ser executada somente por pessoal qualificado. A assistência técnica ou manutenção executadas por pessoal não qualificado pode causar riscos de lesões pessoais.

Ao serem efetuadas substituição de peças na ferramenta, use somente peças de substituição idênticas. Siga as instruções apresentadas na seção de Manutenção deste manual. O uso de peças não autorizadas ou a não observação das instruções de manutenção podem causar riscos de choque elétrico ou lesões pessoais.

Normas e símbolos específicos de segurança

Segure a ferramenta pelas superfícies isoladas de segurança ao executar uma operação em que a ferramenta de corte pode entrar em contato com a fiação oculta ou com o seu próprio fio. O contato com o fio «eletrizado», fará com que as peças de metal expostas da ferramenta sejam «eletrizadas» e causará choque no operador.

Use fones de proteção para os ouvidos ao utilizar a ferramenta por longos períodos. A exposição prolongada em ambientes com muito barulho pode causar a perda da audição.



Use a ferramenta somente para os fins previstos. A não observação destes dados pode causar danos de choque elétrico no produto e/ou graves lesões físicas.

Segure sempre a ferramenta com as duas mãos quando estiver usando-a. Use sempre o cabo lateral. Assegure-se de que o cabo lateral está ajustado corretamente e foi apertado de forma segura [3]. Ao perfurar segure o cabo lateral pela sua extremidade externa [4] e esteja sempre atento. A extremidade da broca pode falhar a qualquer momento, o que pode causar uma torção na ferramenta se você não estiver segurando-a adequadamente.

Desligue a ferramenta imediatamente se o fio de alimentação for danificado durante o trabalho. O fio de alimentação deve ser substituído por um eletricista qualificado. Os fios de alimentação danificados apresentam riscos de incêndio ou choque elétrico.

Nunca opere a ferramenta quando a mesma estiver suja ou úmida. A sujeira, a poeira ou a umidade na superfície da ferramenta podem torná-la escorregadia e difícil de segurar e podem, sob condições desfavoráveis, apresentar risco de choque elétrico.

Assegure-se de que as ferramentas de inserção estão equipadas com a extremidade de conexão adequada para o sistema de mandril em uso e que estão travadas corretamente na posição no mandril. A introdução de ferramentas com uma extremidade de conexão diferente pode causar mau funcionamento e danos na ferramenta e pode até provocar lesões pessoais devido à quebra de peças. A introdução incompleta pode provocar a saída da ferramenta de inserção para fora do mandril, provocando danos ou lesões físicas às pessoas.

Símbolos usados na ferramenta:

V	volts
~	corrente alternada
Hz	hertz
W	watts
A	ampère
n ₀	sem velocidade de carga
n	velocidade sob carga normal
/min	rotações por minuto
∅	diâmetro
⊕	aterramento de proteção

Descrição

O TE 76 / TE 76P / TE 76-ATC / TE 76P-ATC é um martelo rotativo e britador acionado eletricamente com um mecanismo pneumático de martelamento projetado para uso profissional.

São fornecidos os seguintes itens: ferramenta elétrica, instruções de funcionamento, lubrificante (50 ml), pano de limpeza e caixa de ferramentas.

Veja a figura 1, as explicações sobre os controles operacionais e os componentes da ferramenta na página 25.

⚠ As condições seguintes devem ser sempre observadas ao se usar a ferramenta:

- A ferramenta deve ser conectada em um fornecimento de energia elétrica de corrente alternada de acordo com as informações indicadas na placa de identificação.
- A ferramenta é para uso exclusivamente manual.
- A ferramenta não deve ser usada em ambientes com risco de explosões.

Características técnicas

	TE 76 / TE 76-ATC	TE 76P / TE 76P-ATC
Potência nominal	1300 W	1400 W
Voltagem nominal	120 V	120 V
Entrada de corrente nominal	13,0 A	13,9 A
Frequência	50–60 Hz	
Peso da ferramenta	TE 76 / TE 76P TE 76-ATC / TE 76P-ATC	7.0 kg (15.0 lb) 7.9 kg (17.5 lb)
Dimensões (CxAxL)	TE 76/TE 76P 497x 261x 115 mm (19.6 x 10.3 x 4.5 in) TE 76-ATC/TE 76P-ATC 510 x 288 x 115 mm (19.6 x 10.3 x 4.5 in)	
Distância mínima entre a parede e a cavidade perfurada	1.5 in / 38 mm	
Velocidade	II = 0–282/min I = 0–200/min	
Capacidade típica de perfuração em concreto B 35 de dureza média	Ø 3/4" 14,2 in/min / Ø 20 mm: 360 mm/min Ø 1" 11,4 in/min / Ø 25 mm: 290 mm/min Ø 1 1/4" 7,1 in/min / Ø 32 mm: 180 mm/min	
Capacidade típica de cinzelar em concreto B 35 de dureza média	35,1 cu.in/min / 575 cm ³ /min	
Sistema de protecção anti-roubo TPS (Theft Protection System) com Company Card, Company Remote e chave de activação TPS-K	opcional TE 76P / TE 76P-ATC	

Características principais da ferramenta

Proteção elétrica classe I (aterrada)
Controle Ativo de Torque TE 76-ATC / TE 76P-ATC (proteção adicional para o usuário no modo de perfuração)
Embreagem mecânica de limite de torque
Absorção de martelamento sem carga
Cabo principal e lateral com absorção de vibração
Mandril de troca rápida
Sistema de ferramenta de inserção TE-Y
Velocidade infinitamente variável, com ajuste eletrônico independente da carga
Chave de seletor para potência total (II) e meia potência (I)

Modos de perfuração e cinzelagem
Chave de controle com travão no modo de cinzelagem
Cinzel com ajuste para 24 posições

Mecanismo de martelamento e engrenagem com lubrificação a óleo
Escovas de carvão com corte automático
Indicador de serviço com sinal luminoso
Cabo lateral giratório
Aferidor de profundidade para encaixe (opcional)

Sistema de protecção anti-roubo (opcional TE 76P / TE 76P-ATC)

Opcionalmente, a ferramenta pode estar equipada com a função "Protecção anti-roubo". Se a ferramenta estiver equipada com esta função, só pode ser activada e preparada para ser utilizada através da respectiva chave de activação.

Direitos reservados de alterações técnicas

A ferramenta é projetada para as seguintes utilizações:

Tipo de serviço	Ferramentas necessárias	Diâmetros
Perfurar em concreto, alvenaria e pedras naturais	Brocas com encaixe TE-Y – Brocas de impacto – Brocas para abertura de brechas – Brocas macho de percussão	Alcance de perfuração em concreto Ø 1/2" – 3/16" / Ø 12– 40 mm Ø 1 1/2" – 3 1/8" / Ø 40– 80 mm Ø 1 3/4" – 6" / Ø 45–150 mm
Cinzelar em concreto, alvenaria e pedra natural	Cinzéis pontiagudos, afiados e planos com extremidades de conexão TE-Y	Brechas e acabamento de superfícies
Colocar as buchas	Colocar nas ferramentas as extremidades de conexão TE-Y	Todas as buchas Hilti com ferramentas de ajuste TE-Y
Perfurar em madeira ou metal	Suporte de mandril, item 263359 Mandril sem chaveta, item 60208 Brocas para madeira e metal com haste cilíndrica ou hexagonal	Brocas para madeira, Ø 3/8" – 1 1/4" / Ø 10–32 mm Brocas para metal, Ø 3/8" – 3/4" / Ø 10–20 mm
Misturar materiais não inflamáveis, por exemplo, argamassa	Suporte de mandril, item 263359 Mandril sem chaveta, item 60208 Ferramentas mistas com haste cilíndrica ou hexagonal	Ferramentas mistas, Ø 3 1/8" – 6" / Ø 80–150 mm

Preparação para uso

É essencial que as precauções de segurança descritas nestas instruções de funcionamento sejam lidas e observadas.

A voltagem de alimentação deve corresponder às informações constantes na placa de identificação.

Se forem usados fios de extensão: somente podem ser usados fios de extensão de um tipo aprovado para o uso pretendido e de seção transversal adequada. A não observação deste dado pode reduzir o desempenho da ferramenta e causar um superaquecimento do fio. Os fios de extensão danificados devem ser substituídos. O comprimento máximo e as seções transversais recomendadas para os fios de extensão são:

Voltagem	Seção do cabo					
	mm ²				AWG	
	1,5	2,0	2,5	3,5	14	12
100 V	20 m	30 m	40 m	50 m	–	–
110–120 V	30 m	40 m	50 m	50 m	100 ft	150 ft
220–240 V	50 m	75 m	100 m	125 m	–	–

Não usar cabos de extensão de 1,25 mm² e 16 AWG.

Use somente ferramentas de inserção com extremidade de conexão TE-Y.

Não exerça pressão excessiva sobre a ferramenta. Isto não aumentará o seu potencial de martelamento.

A baixas temperaturas: a ferramenta exige uma temperatura mínima para funcionar antes que o mecanismo de martelamento comece a operar. Conecte a ferramenta e

posicione a extremidade da broca ou cinzel na superfície de trabalho. Enquanto a ferramenta estiver funcionando, aplique uma leve pressão rápida e contínua até que o mecanismo de martelamento comece a operar.

Funcionamento


Funcionamento a partir do geradores e transformadores

Esta ferramenta pode ser usada em um geradores e transformadores se preencher os seguintes requisitos:

- Mínimo de 2600 W de saída CA, mínimo de 24 A
- Nominal CA de 120 V; min. 102 V, máx. 132 V sob todas as condições
- Frequência 50–60 Hz; nunca exceder 65 Hz
- Regulador automático dinâmico de alta voltagem

Não use outras ferramentas elétricas de forma concomitante no mesmo geradores e transformadores. A conexão ou desconexão de outras ferramentas pode causar extremos de baixa e ou alta voltagem que podem danificar a ferramenta.

Para introduzir a ferramenta de inserção

- Desconecte o fio de alimentação do soquete elétrico para evitar um funcionamento involuntário.
- Verifique se a ponta de conexão da ferramenta de inserção está limpa e devidamente lubrificada. Limpe e lubrifique, se necessário . Verifique se o gume de broca de vedação do protetor contra o pó está limpo. Esfregue-o, se necessário. Certifique-se de que nenhuma poeira da perfuração entra para o interior do mandril.

- O protetor contra o pó deve ser substituído quando o gume de broca de vedação estiver danificado. Consulte, por favor, a seção «conservação e manutenção».
- Introduza a ferramenta de inserção no mandril e gire-a aplicando uma leve pressão até a encaixar nas ranhuras guia **6**.
 - Empurre a ferramenta de inserção até ouvi-la encaixar-se. Verifique se a ferramenta de inserção está encaixada corretamente, puxando-a **6**.

Para remover a ferramenta de inserção

- Desconecte o fio de alimentação do soquete elétrico para evitar um funcionamento involuntário.
- Puxe a bucha de aperto do mandril para trás e puxe a ferramenta de inserção para fora **7**.

Use luvas de proteção. A ferramenta de inserção pode ficar muito quente depois de um longo período de uso.

Para perfurar

Operação

Ativação da ferramenta eléctrica (sistema de protecção anti-roubo)

(Opcional – não disponível em todas as versões.)

No manual de instruções "Sistema de protecção anti-roubo", pode encontrar mais informações pormenorizadas sobre a activação e utilização do sistema de protecção anti-roubo.

- Ligue a ferramenta eléctrica à corrente eléctrica. A luz indicadora amarela do sistema de protecção anti-roubo pisca. A ferramenta está agora pronta para receber o sinal da chave de activação.
- Coloque a chave de activação junto do símbolo de bloqueio. A ferramenta é assim activada e está pronta para ser utilizada assim que a luz indicadora deixe de acender.

-NOTA-

Se a corrente for interrompida, p. ex., no caso de uma mudança de local de trabalho, a ferramenta mantém-se operacional durante aprox. 20 minutos. No caso de interrupções mais prolongadas, a ferramenta deve ser activada através da chave de activação.

Furadeira de martelo

- Introduza a ponta da broca no mandril.
- Mova a chave do seletor para a posição de perfuração de martelo () até encaixá-la **8**.
- Selecione a potência de perfuração desejada (II = potência total, I = meia potência) **10**. Ao perfurar materiais frágeis (por exemplo, tijolo perfurado), é vantajoso fazê-lo em meia potência, o que pode melhorar a qualidade da cavidade perfurada.

- Gire o cabo lateral para a posição desejada. Certifique-se de que está ajustado corretamente e devidamente apertado **9**.
- Conecte o fio de alimentação à energia.
- Coloque a ponta da broca em contato com a superfície de trabalho na posição em que a cavidade será perfurada e pressione a chave de controle suavemente. Perfure a baixa velocidade até que a extremidade da broca esteja centrada na cavidade.
- Pressione completamente a chave de controle e continue perfurando em potência total. Ao perfurar uma cavidade de lado a lado, reduza um pouco a velocidade da perfuração antes que a extremidade da broca consiga atravessá-la. Isto reduzirá a quantidade de lascas ao redor da cavidade.

Controle Ativo de Torque TE76-ATC / TE76P-ATC (Active Torque Control)

A ferramenta TE 76-ATC / TE76P-ATC está equipada com o sistema de **Controle Ativo de Torque** e também com a embreagem mecânica de limite de torque. Este sistema ajuda a manter o controle da ferramenta no modo de perfuração. Se a extremidade da broca atingir, por exemplo, a rebarba, o sistema ATC foi projetado para fazer com que a ferramenta pare, reduzindo o risco de uma rotação indesejada.

Quando o sistema ATC é ativado, a ferramenta pode ser reiniciada se se liberar a chave de controle e seguidamente se encaixar esta novamente depois que o motor tiver parado de girar (o som «click» indica que a ferramenta está pronta para uso).

Escolha sempre uma posição de trabalho em que a ferramenta esteja livre para girar **5** no sentido anti-horário (visto pelo operador). Se isto não for possível, o sistema ATC não pode reagir.

Para perfurar usando o aferidor de profundidade (acesório)

Recomendamos o uso do aferidor de profundidade para perfurar cavidades na profundidade exata exigida. A biela do aferidor de profundidade está deslocada a fim de reduzir os desvios causados pela inclinação da ferramenta e para torná-la mais acessível ao ajuste da perfuração **12**.

Montagem 11: Posicione o aferidor de profundidade na parte superior da ferramenta elétrica de forma que os dois suportes de posicionamento se encaixem nas depressões dos parafusos de flange. Pressione o aferidor de profundidade na ferramenta até que os dois suportes posteriores se encaixem na carcaça da ferramenta. Introduza a biela do aferidor de profundidade no aferidor pela frente, com a extremidade afastada também voltada para a frente.

Ajuste da profundidade da perfuração 12: Deslize a biela do aferidor de profundidade para a profundidade exigida. Ajuste a extremidade frontal da biela do aferidor até aproximadamente 10 mm ($\frac{3}{8}$ ") da broca e a seguir aperte o parafuso de fixação.

Após o uso, remova o aferidor de profundidade e guarde-o em uma caixa de ferramentas.

Para perfurar sem a ação de martelamento

A perfuração sem a ação de martelamento é possível com as ferramentas de inserção com uma extremidade de conexão especial. As ferramentas de inserção deste tipo estão disponíveis no programa de ferramentas de inserção da Hilti. Brocas de madeira ou de aço com haste lisa podem ser ajustadas, por exemplo, no mandril sem chaveta e podem ser usadas para perfuração sem a ação de martelamento. A chave do seletor de função deve ser encaixada na posição de perfuração de martelo ().

Para cinzelar

O cinzel pode ser ajustado em 24 posições diferentes. Isto faz com que seja possível trabalhar com cortes de talhadeiras chatas e perfiladas em um ótimo ângulo.

- Introduza o cinzel no mandril.
- Mova a chave do seletor de função para a posição do centro **8**.
- Selecione a posição do cinzel (ângulo de corte), girando o mandril **18**. Mova a chave do seletor de função para a posição de cinzelagem () até que se encaixe **8**.
- Selecione a alimentação de cinzelagem desejada (II = potência total, I = meia potência) **10**. Pode ser vantajoso trabalhar com o ajuste de meia potência quando cinzelar materiais frágeis (por exemplo, tijolos perfurados), e quando usar ferramentas de bucha para acabamento de superfícies.
- Gire o cabo lateral para a posição desejada. Certifique-se de que está ajustado corretamente e devidamente apertado **3**. Para efetuar trabalhos de acabamento de superfícies, também pode fixar a ferramenta na seção de aperto do mandril.
- Conecte o fio de alimentação à energia.
- Coloque a ponta do cinzel em contato com a superfície de trabalho na posição desejada. Pressione a chave de controle vagarosamente para possibilitar o início preciso e para prevenir que o cinzel escorregue.
- Pressione completamente a chave de controle para cinzelar na potência total.
- Se você desejar, a chave de controle pode ser travada na posição quando a ferramenta estiver operando em modo de cinzelagem **14**. Para fazer isto, empurre a chave de correção vermelha, localizada no cabo principal acima da chave de controle para a direita, e a seguir pressione totalmente a chave de controle. A ferramenta está agora no modo operacional contínuo. Desligue sempre a ferramenta empurrando a chave de correção vermelha para a esquerda, para a sua posição original.

Se você não pretende cinzelar no modo contínuo, empurre sempre a chave de correção vermelha localizada acima da chave de controle para a posição do lado esquerdo. Caso contrário, a chave de controle pode ser travada, mesmo sem intenção, na posição de modo contínuo ao cinzelar.

Nunca ligue a chave do seletor de função **8** enquanto o motor estiver funcionando. Ao cinzelar, a chave do seletor deve estar sempre encaixada na posição de cinzelagem ().

Ao cinzelar, nunca permita que o cinzel penetre no material base em um ângulo contínuo. Isto pode fazer com que o cinzel fique bloqueado. Nunca use o cinzel com muita força como se fosse uma alavanca para quebrar o material. Isto pode causar danos à ferramenta. O desempenho máximo é atingido quando o cinzel é guiado em um ângulo inclinado, trabalhando a partir da borda até o ponto mais profundo **15**.

Conservação e Manutenção

Conservação

O corpo externo da ferramenta é fabricado em plástico resistente contra impactos. As seções do cabo principal, o protetor contra poeira e a bucha de proteção do fio de alimentação são fabricados com elastômeros.

Limpe a parte externa da ferramenta em intervalos regulares, usando um pano levemente umedecido. Não use produtos a vapor, sprays ou água corrente para limpeza, pois isto pode afetar negativamente a segurança da parte elétrica da ferramenta. Mantenha sempre as superfícies do cabo principal da ferramenta livres de óleo e lubrificantes. Não use agentes químicos de limpeza que contenham silicone.

Nunca opere a ferramenta quando as fendas de ventilação estiverem bloqueadas. Limpe as fendas de ventilação cuidadosamente, usando uma escova seca. Não permita que objetos estranhos entrem no interior da ferramenta. Limpe o protetor contra poeira do mandril regularmente usando um pano limpo e seco. Limpe cuidadosamente o gume da broca de vedação e lubrifique-o com um pouco de lubrificante Hilti. **É essencial que o protetor contra poeira seja substituído quando o gume da broca de vedação estiver danificado.** Efetue as seguintes operações: Introduza uma chave de fendas na borda do protetor contra poeira e puxe-o para frente. Limpe a superfície de contato e coloque um novo protetor contra poeira. Pressione-o firmemente até que encaixe.

Cuide também de suas ferramentas de inserção. Remova a sujeira e depósitos de poeira e proteja-as contra corrosão, limpando-as quando necessário com um pano embebido em óleo. Mantenha sempre a extremidade de conexão limpa e levemente lubrificada.

Manutenção, Indicador de Assistência

Verifique regularmente todas as peças externas da ferramenta sujeitas a acidentes e também se todos os controles estão funcionando sem falhas. Não ligue a ferramenta quando as peças estiverem danificadas ou quando os controles estiverem com falha. Utilize os serviços de reparação da assistência técnica Hilti para reparar a sua ferramenta.

A ferramenta está equipada com um indicador de assistência de manutenção **10**.

Quando o indicador estiver aceso: significa que a vida útil das escovas de carvão do motor elétrico chegou ao fim. A ferramenta pode funcionar por mais 8 horas aproximadamente depois que a luz do indicador de assistência de manutenção acender, até que a chave automática atue. Leve a ferramenta para o serviço de assistência técnica Hilti para manutenção de rotina programada quando o indicador de assistência acender.

Quando o indicador pisca: significa que ocorreu uma falha elétrica. A ferramenta irá desligar-se automaticamente. Utilize os serviços de reparação da assistência técnica Hilti para reparar a sua ferramenta.

Ferramentas e acessórios de inserção

Use somente ferramentas de inserção com extremidade de conexão TE-Y **9**.

As ferramentas elétricas Hilti foram projetadas para trabalhar de forma perfeita como um sistema, juntamente com as ferramentas de inserção Hilti. Desta forma, pode obter o mais alto desempenho e esperar uma duração máxima do produto quando usar esta ferramenta elétrica com as ferramentas de inserção Hilti. Um programa abrangente de ferramentas e acessórios de inserção está disponível para o sistema TE-Y **9**. As ferramentas de inserção mais importantes para a furadeira de martelamento e cinzelagem são apresentadas no interior da caixa de ferramentas. Os detalhes de todo o programa podem ser encontrados no catálogo geral de produtos Hilti. Se você necessitar de ferramentas de inserção não incluídas no programa padrão, queira por favor entrar em contato com o departamento de atendimento ao cliente ou com o representante de vendas da Hilti. A Hilti oferece uma variedade abrangente de ferramentas de inserção especiais com qualidade profissional.

Verifique regularmente as suas ferramentas e substitua-as a tempo. Uma extremidade de conexão danificada ou usada de maneira errada pode causar danos à ferramenta elétrica. As extremidades da broca com pontas de carboneto quebradas ou lascadas podem alterar o diâmetro especificado dos furos, influenciando o ajuste de fixação da bucha.

Você mesmo pode afiar facilmente os cinzéis de alta qualidade da Hilti. O seu representante de vendas Hilti está à sua disposição para fornecer as instruções necessárias. Queira, por favor, observar as instruções sobre conservação e manutenção de suas ferramentas de inserção apresentadas na seção sobre conservação e manutenção.

Garantia do fabricante sobre ferramentas

A Hilti garante que a ferramenta fornecida está isenta de quaisquer defeitos de material e de fabrico. Esta garantia é válida desde que a ferramenta seja utilizada e manuseada, limpa e revista de forma adequada e de acordo com o manual de instruções Hilti e desde que o sistema técnico seja mantido, isto é, sob reserva da utilização exclusiva na ferramenta de consumíveis, componentes e peças originais Hilti.

A garantia limita-se rigorosamente à reparação gratuita ou substituição das peças com defeito de fabrico durante todo o tempo de vida útil da ferramenta. A garantia não cobre peças sujeitas a um desgaste normal de uso.

Estão excluídas desta garantia quaisquer outras situações susceptíveis de reclamação, salvo legislação nacional aplicável em contrário. Em caso algum será a Hilti responsável por danos indirectos, directos, accidentais ou pelas consequências daí resultantes, perdas ou despesas em relação ou devidas à utilização ou incapacidade de utilização da ferramenta, seja qual for a finalidade. A Hilti exclui em particular as garantias implícitas respeitantes à utilização ou aptidão para uma finalidade particular.

Para toda a reparação ou substituição, enviar a ferramenta ou as peças para o seu centro de vendas Hilti, imediatamente após detecção do defeito.

Estas são todas e as únicas obrigações da Hilti no que se refere à garantia, as quais anulam todas as declarações, acordos orais ou escritos anteriores ou contemporâneos referentes à garantia.

Eliminação e reciclagem

As ferramentas elétricas Hilti, são em grande parte, fabricadas com materiais recicláveis. No entanto, os materiais devem ser separados corretamente antes de serem reciclados. Em muitos países, a Hilti está em condições de receber de volta a sua ferramenta elétrica usada para reciclar. Queira, por favor, consultar o departamento de atendimento ao cliente ou o representante de vendas da Hilti para obter mais informações. Se você mesmo quiser levar a sua ferramenta elétrica para um posto de eliminação para que seja reciclada, proceda da seguinte forma: Desmonte a ferramenta o máximo que puder sem utilizar ferramentas especiais. Use papel absorvente para limpar as peças lubrificadas e para recolher o óleo que escorrer (aproximadamente 50 ml). Este papel também deve ser corretamente eliminado. **Em hipótese alguma deixe o óleo atingir o sistema de abastecimento de água de esgoto ou cair no solo.**

As peças individuais devem ser separadas como segue:

Peça / montagem	Material principal	Reciclagem
Caixa da ferramenta	Plástico	Plástico
Corpo externo da ferramenta	Plástico	Plástico
Corpo interno da ferramenta	Liga de magnésio	Sucata de metal
Cabo principal, cabo lateral	Plástico	Plástico
Caixa eletrônica	Diversos	Sucata eletrônica ou sucata de metal
Carcaça do motor	Plástico	Plástico
Tampa do motor	Plástico com peça em aço	Sucata de metal
Ventoinha	Plástico	Plástico
Motor (rotor e estator)	Aço e cobre	Sucata de metal
Fio de alimentação	Cobre, folha de elastômero	Sucata de metal
Peças de engrenagem, peças do mecanismo de martelamento	Aço	Sucata de metal
Biela e pistão acionador	Plástico	Plástico
Parafusos, peças menores	Aço	Sucata de metal

Solucionando problemas

Falha	Causa Possível	Solução Possível
A ferramenta não liga	Falha no fornecimento de energia elétrica	Conectar outro aparelho elétrico e verificar o funcionamento.
	Defeito na tomada ou no fio de alimentação	Fazer a verificação por um electricista especializado e substituir, se necessário.
	Defeito na chave	Fazer a verificação por um electricista especializado e substituir, se necessário.
A ferramenta não arranca e o indicador pisca a amarelo.	A ferramenta não está activada (no caso de ferramentas com sistema de protecção anti-roubo, opcional).	Activar a ferramenta com a chave de activação.
Ausência de martelamento	A ferramenta ainda não aqueceu.	Deixar a ferramenta atingir a temperatura mínima de funcionamento. Ver a seção «Preparação para uso».
A ferramenta não atinge a potência total. for use”	O calibre do arame do fio de extensão é inadequado.	Use um fio de extensão de seção transversal adequada. Ver a seção «Preparação para uso»
	A chave do seletor de alimentação está na posição I.	Coloque a chave do seletor de alimentação na posição II 10
	A chave de controle não está pressionada totalmente.	Pressione a chave de controle, o máximo possível.
A broca não gira.	A chave do seletor de função não está travada na posição de perfuração ()	Coloque a chave do seletor de função (quando o motor tiver parado) na posição de perfuração () 8
A broca não sai do mandril	A bucha de aperto do mandril não foi puxada totalmente para trás.	Puxe a bucha de aperto do mandril o máximo possível e retire a ferramenta.
	O cabo lateral não está ajustado corretamente.	Solte o cabo lateral e ajuste-o corretamente de forma que a faixa de tensão e o cabo lateral estejam posicionados corretamente na ranhura local. 3

HILTI

Hilti Corporation

LI-9494 Schaan

Tel.: +423 / 234 21 11

Fax: +423 / 234 29 65

www.hilti.com



334212